

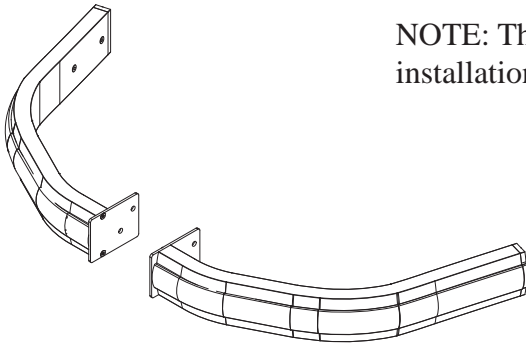
## **INSTALLATION GUIDE**

**2016- CURRENT TAHOE  
PUSH BUMPER WRAPS  
4PBFW57T15**

**Pro-gard**<sup>™</sup>  
PRODUCTS LLC.

**STRONG | RELIABLE | SECURE**

**THESE COMPONENTS ARE REQUIRED  
TO INSTALL THE PUSH BUMPER WRAPS**



Push Bumper Wrap System  
Part # 3PBW5716-00DS and 3PBW5716-00PS

NOTE: The Pro-gard HD Push Bumper is required for the installation of the push bumper wraps.



Part # 4PBFW57T15-KIT

**I. The following tools will be required to complete the installation.**

- |                         |                  |                    |
|-------------------------|------------------|--------------------|
| A. 7/16 Socket          | D. 3/4 Socket    | G. 1/2 Socket      |
| B. 18mm Socket          | E. T-15 Torx Bit | H. 5/16 Drill Bit  |
| C. Phillips Screwdriver | F. T-50 Torx Bit | I. 1-1/2" Hole Saw |

**II. Read all instructions carefully and refer to the last page BOM to ensure all parts were received.** *The push bumper wraps should be installed after the push bumper. Refer to the push bumper kit for instructions.*

**III. Remove Push Bumper and Fascia**

- A. Remove the Push Bumper and brackets necessary to remove fascia.
- B. Remove front fascia to expose the sub-frame.

**IV. Install Wrap Support Brackets**

- A. Fasten bracket 3PBW5716-02PS thru radiator bracket hole using 3X193 bolt, 3X13 washer and 3X170 nut. (Fig 2)
- B. Attach bracket 3PBW5716-02PS by sandwiching radiator support by maneuvering strap 3PBW5716-04 into radiator support, then and assembling washers 3X113 and bolts 3X118 and thread into strap weld nuts. (Fig 1)
- C. Tighten all the the hardware after adjusting for proper fit. Repeat on the driver side.

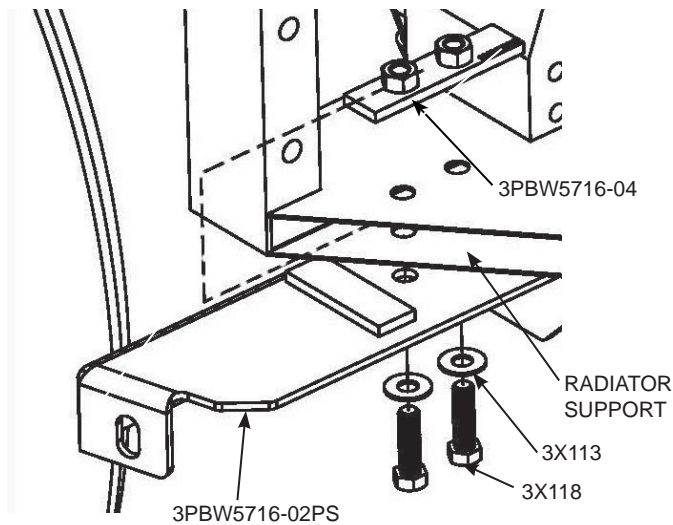


FIG. 1

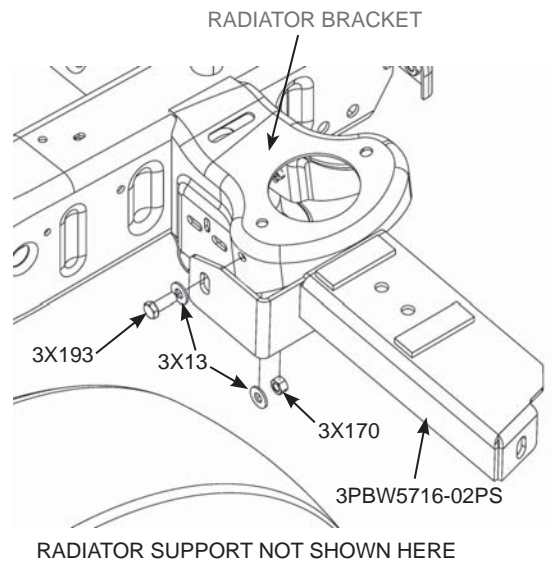


FIG. 2

## V. Modify Fascia

- Use the template on the back of the instructions to mark and cut the hole in the fascia in order to install the support brackets.
- Reinstall the fascia leaving the fender liners loose to allow access for outer bracket assembly.
- Re-mount the push bumper.

## VI. Assemble Outer Bracketry

- Align the 3PBW5716-03 standoff with the slot on the 3PBW5716-02PS brackets through the hole in the fascia and the center slot on the 3PBW1200 hat channel bracket.
- Fasten the parts together using the provided 3X265 bolt, 3X508 washers and 3X165 nut as shown in figure 3 by accessing the bracket under and through the fender liner.
- Repeat on the driver side.

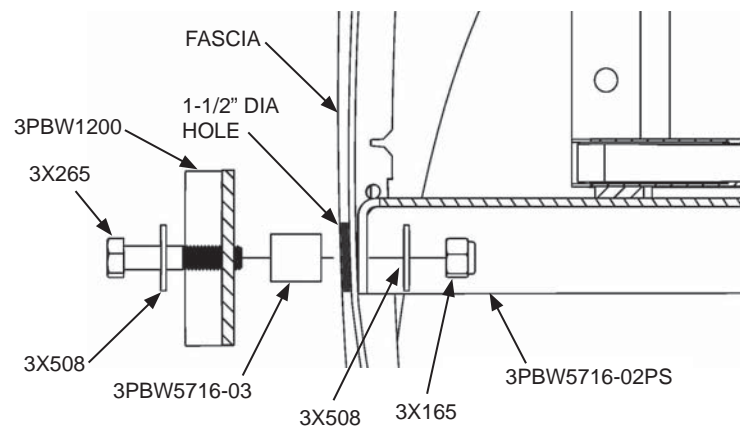


FIG. 3

## VII. Install Wrap Assemblies

- A. Disassemble the mounting bolts at top two hole locations. It may be necessary to have someone assist you with aligning the parts.
- B. Hold the PBW5716-00PS wrap assembly along with backer plate PBW1401-PS and fasten the parts together using the longer 1-1/2" 3X212 bolts from kit, and re-use the lock washers and nuts. (Fig. 4)
- C. Repeat for opposite side.

## VIII. Fasten Wrap to Outer Bracket

- A. Orient the 3PBW1200 Hat Channel Brackets, as shown in Figure 5, to line up the two slots with the rivet nuts in the push bumper wraps.
- B. Fasten the brackets to the push bumper wraps using the provided 3X119 bolts and the 3X13 washers.
- C. Adjust the overall installation for fit and function of all components. Once satisfied, insure all fasteners are tight.

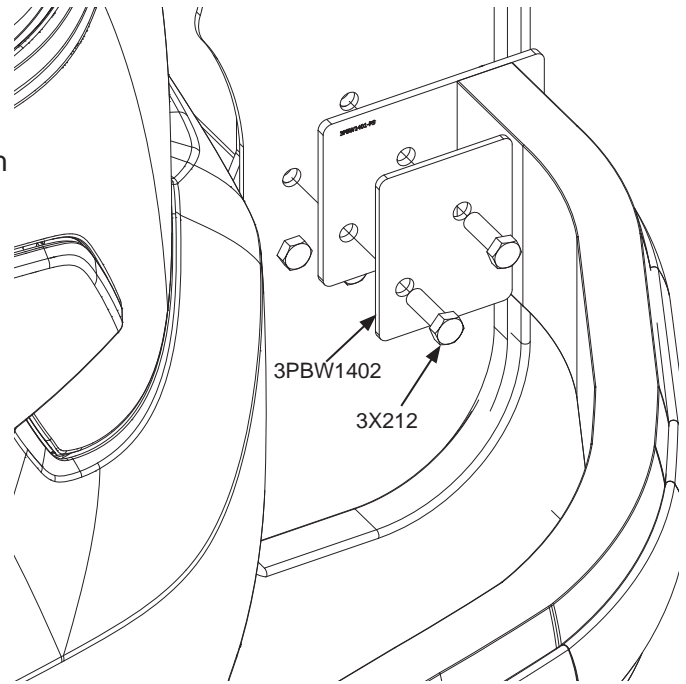


FIG. 4

## Installation complete!

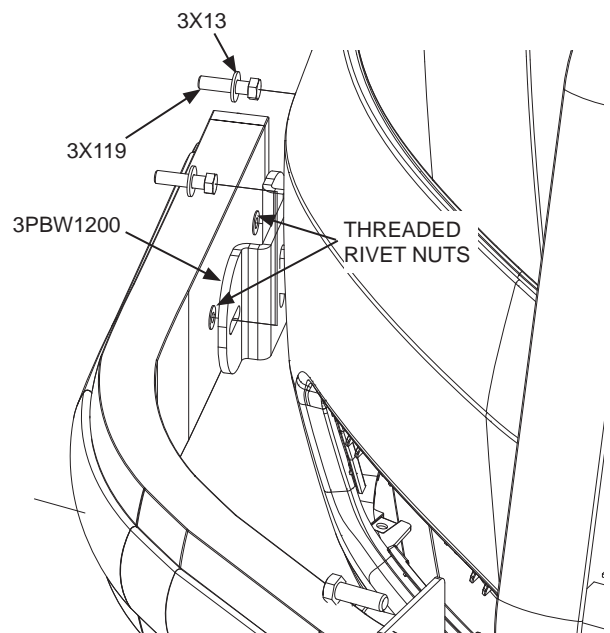
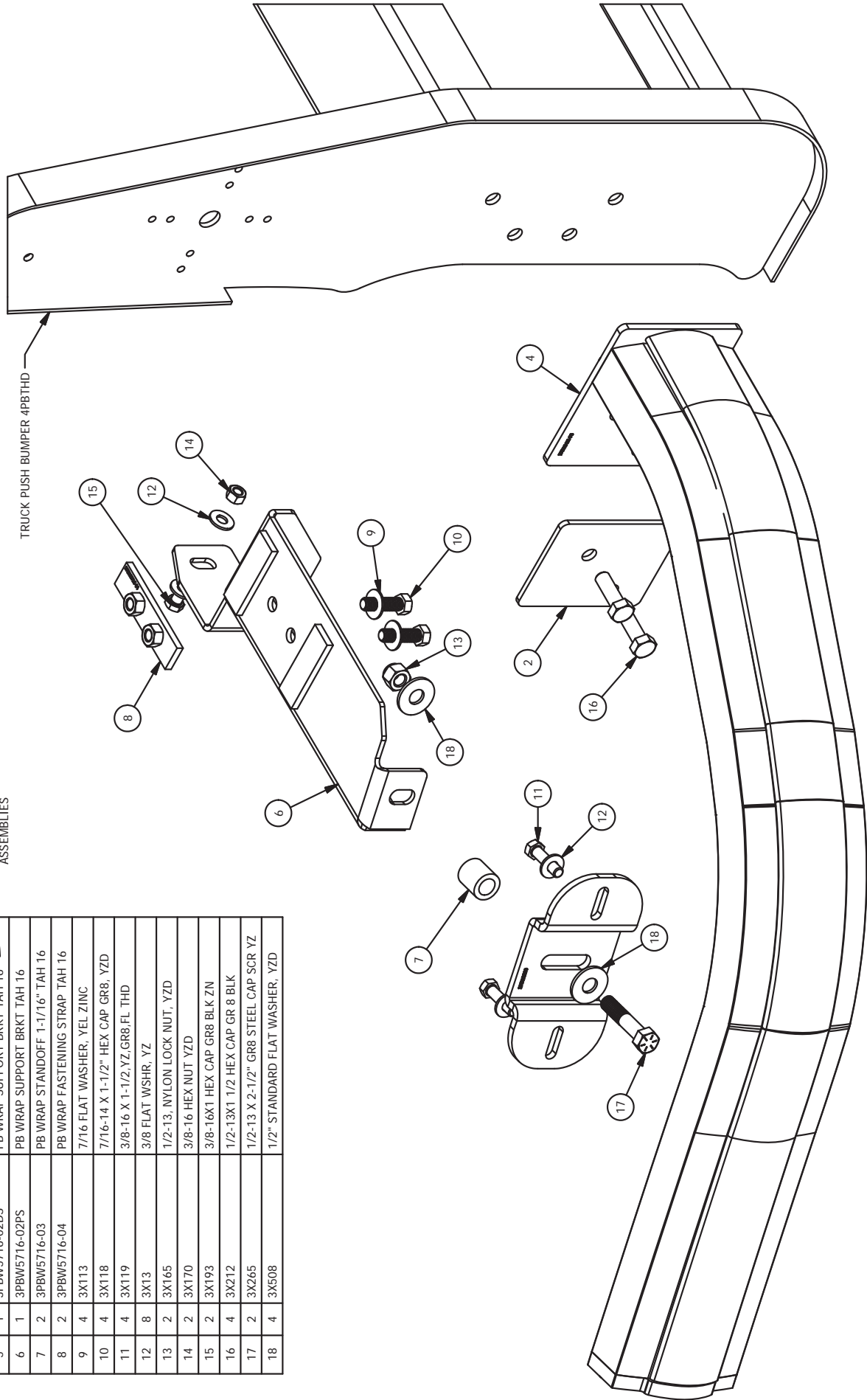


FIG. 5

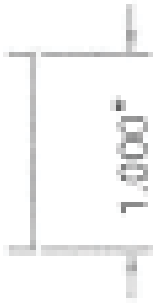
If you have any problems with this installation then call the toll free number (800-480-6680) and ask for technical assistance.

PARTS LIST		
ITEM	QTY	PART NUMBER DESCRIPTION
1	2	3PBW1200 PB WRAP BEAM HAT BRKT
2	2	3PBW1402 PB WRAP BACKER PLATE TAH 16
3	1	3PBW5716-00DS PB WRAP ASSEMBLY TAH 16
4	1	3PBW5716-00PS PB WRAP ASSEMBLY TAH 16
5	1	3PBW5716-02DS PB WRAP SUPPORT BRKT TAH 16
6	1	3PBW5716-02PS PB WRAP SUPPORT BRKT TAH 16
7	2	3PBW5716-03 PB WRAP STANDOFF 1-1/16" TAH 16
8	2	3PBW5716-04 PB WRAP FASTENING STRAP TAH 16
9	4	3X113 7/16 FLAT WASHER, YEL ZINC
10	4	3X118 7/16-14 X 1-1/2" HEX CAP GR8, YZD
11	4	3X119 3/8-16 X 1-1/2, YZ, GR8, FL THD
12	8	3X13 3/8 FLAT WSHR, YZ
13	2	3X165 1/2-13, NYLON LOCK NUT, YZD
14	2	3X170 3/8-16 HEX NUT YZD
15	2	3X193 3/8-16X1 1/2 HEX CAP GR8 BLK ZN
16	4	1/2-13X1 1/2 HEX CAP GR 8 BLK
17	2	1/2-13 X 2-1/2" GR8 STEEL CAP SCR YZ
18	4	1/2" STANDARD FLAT WASHER, YZD

NOTE: MOUNTING PLATE CONFIGURATION  
CREATES DRIVER AND PASSENGER SIDE  
ASSEMBLIES

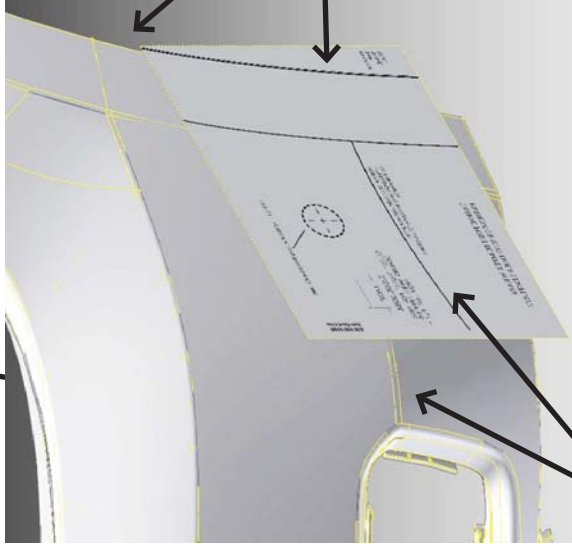
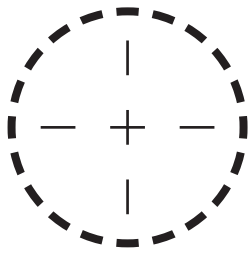


CUT A 1 - 1/4" HOLE ALONG THE DASHED LINE



CHECK SCALE

SELECT "NONE" FOR PAGE  
SCALING WHEN PRINTING  
FROM .pdf FILE



LINE UP THE TEMPLATE WITH THE  
CORRESPONDING EDGES ON THE OUTSIDE  
OF THE FASCIA

EDGE OF  
THE  
WHEEL  
WELL

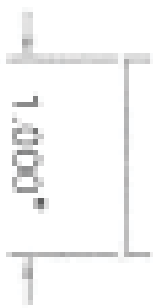
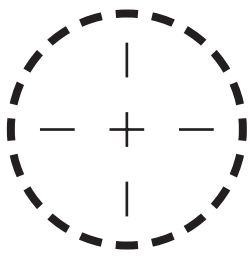
TAHOE PUSH BUMPER WRAPS  
DRIVER SIDE HOLE TEMPLATE

EDGE OF  
THE  
WHEEL  
WELL



LINE UP THE TEMPLATE WITH THE  
CORRESPONDING EDGES ON THE OUTSIDE  
OF THE FASCIA

CUT A 1 - 1/4" HOLE ALONG THE DASHED LINE



CHECK SCALE

SELECT "NONE" FOR PAGE  
SCALING WHEN PRINTING  
FROM .pdf FILE

TAHOE PUSH BUMPER WRAPS  
PASSENGER SIDE HOLE TEMPLATE