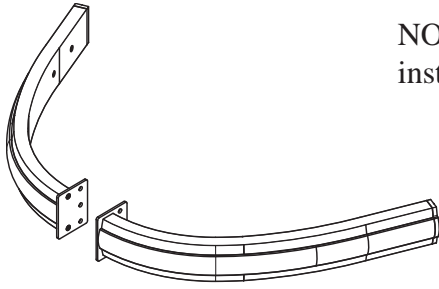


INSTALLATION GUIDE
2016- CURRENT
FORD INTERCEPTOR
PUSH BUMPER WRAPS
4PBFW36INT13

Pro-gard[™]
PRODUCTS LLC.

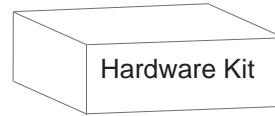
STRONG | RELIABLE | SECURE

**THESE COMPONENTS ARE REQUIRED
TO INSTALL THE PUSH BUMPER WRAPS**



Push Bumper Wrap System
Part # 3PBW3616-00

NOTE: The Pro-gard HD Push Bumper is required for the installation of the push bumper wraps.



Part # 4PBFW36INT13-KIT

I. The following tools will be required to complete the installation.

- | | | |
|-------------------------|------------------|--------------------|
| A. 7/16 Socket | D. 3/4 Socket | G. 1/2 Socket |
| B. 18mm Socket | E. T-15 Torx Bit | H. 5/16 Drill Bit |
| C. Phillips Screwdriver | F. T-50 Torx Bit | I. 1-1/2" Hole Saw |

II. Read all instructions carefully and refer to the last page BOM to ensure all parts were received. *The push bumper wraps should be installed after the push bumper. Refer to the push bumper kit for instructions.*

III. Remove Push Bumper and Fascia

- A. Remove the Push Bumper and brackets necessary to remove fascia.
- B. Remove the vehicle's front fascia to expose the sub-frame.

IV. Install Wrap Support Brackets

- A. Fasten rear bracket 3PBW3616-02DS using the OEM bolts at the locations at the frame rail and fender support shown in Fig 1. Repeat for the passenger side.

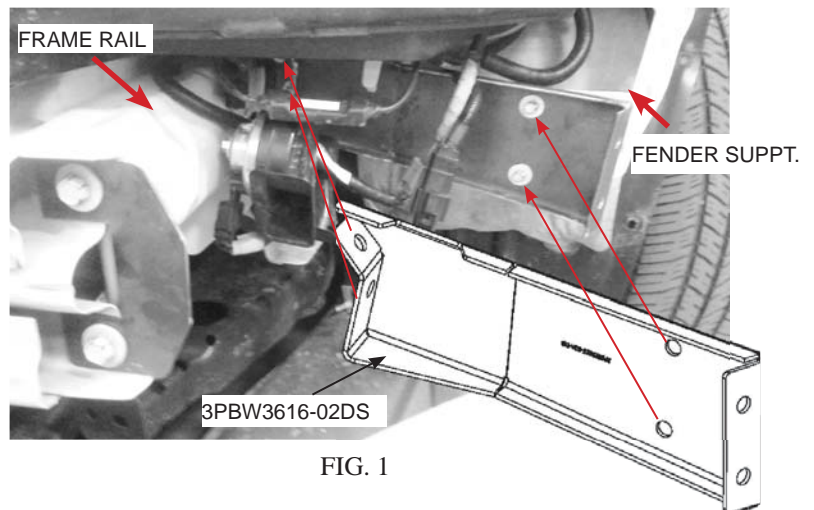


FIG. 1

B. Fasten front bracket 3PBW3616-04-DS to previously installed rear bracket using 3X193 bolts threaded into rear bracket weld nuts. Fasten front of bracket to bumper using OEM bolts. (Fig. 2)

C. Repeat for passenger side.

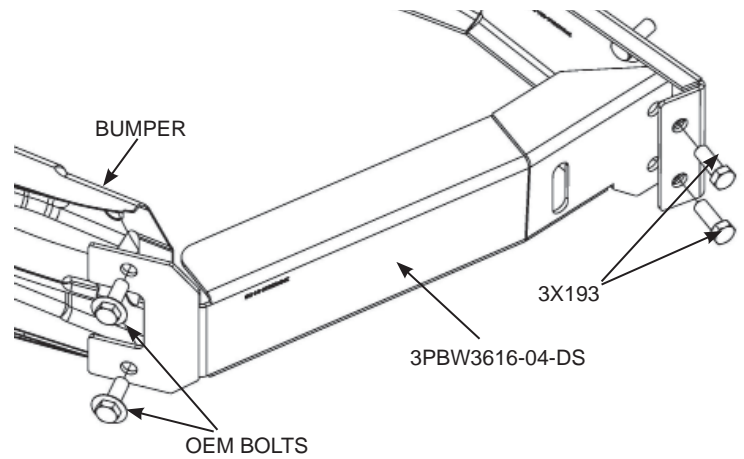


FIG. 2

V. Modify Fascia

A. Use the template on the back of the instructions to mark and cut the hole in the fascia in order to install the standoffs for the outer bracketry.

B. Re-attach the fascia.

C. Re-mount the push bumper.

VI. Assemble Outer Bracketry

A. Align the 3PBW3616-03 standoff with fascia hole and the slot on the 3PBW3616-04-DS front bracket.

B. Accessing the front bracket under and through the fender liner, assemble the 3PBW1200 hat channel bracket, 3X244 bolt, 3X508 washers and 3X165 nut as shown in figure 3.

C. Repeat for passenger side.

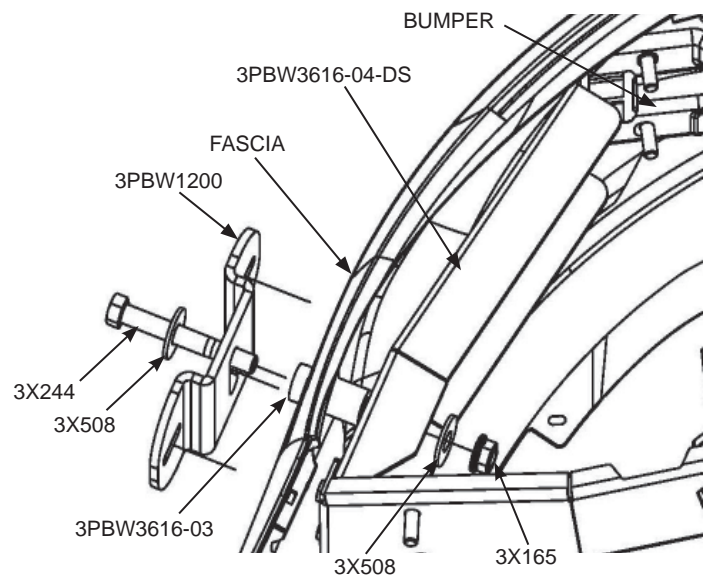


FIG. 3

VII. Install Wrap Assemblies

- A. Support the push bumper. Disassemble the mounting bolts keeping the top bolt for re-use along with the lock washers and nuts. Align the PBW3616-00 wrap and the PBW1101 backer plate and assemble the re-used bolt, washer and nut at the top mounting hole. It may be necessary to have someone assist you with aligning the parts.
- B. Assemble the remaining two mounting locations using the longer 1-1/2" 3X212 bolts from the hardware kit and re-using the washers and nuts. (Fig. 4)
- C. Repeat for opposite side.

VIII. Fasten Wrap to Outer Bracket

- A. Orient the 3PBW1200 hat channel brackets as shown in Figure 4, in order to line up the two slots with the threaded rivet nuts in the push bumper wrap. (Fig. 5)
- B. Fasten the brackets to the wraps using the provided 3X119 bolts and the 3X13 washers.
- C. Adjust the overall installation for fit and function of all components. Once satisfied, insure all fasteners are tight.

Installation complete!

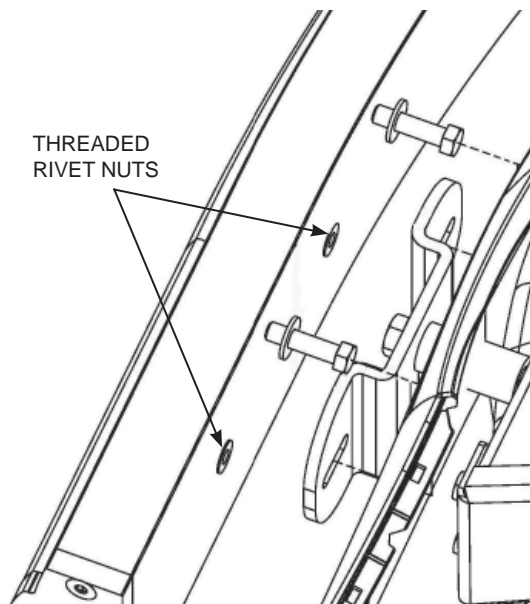


FIG. 5

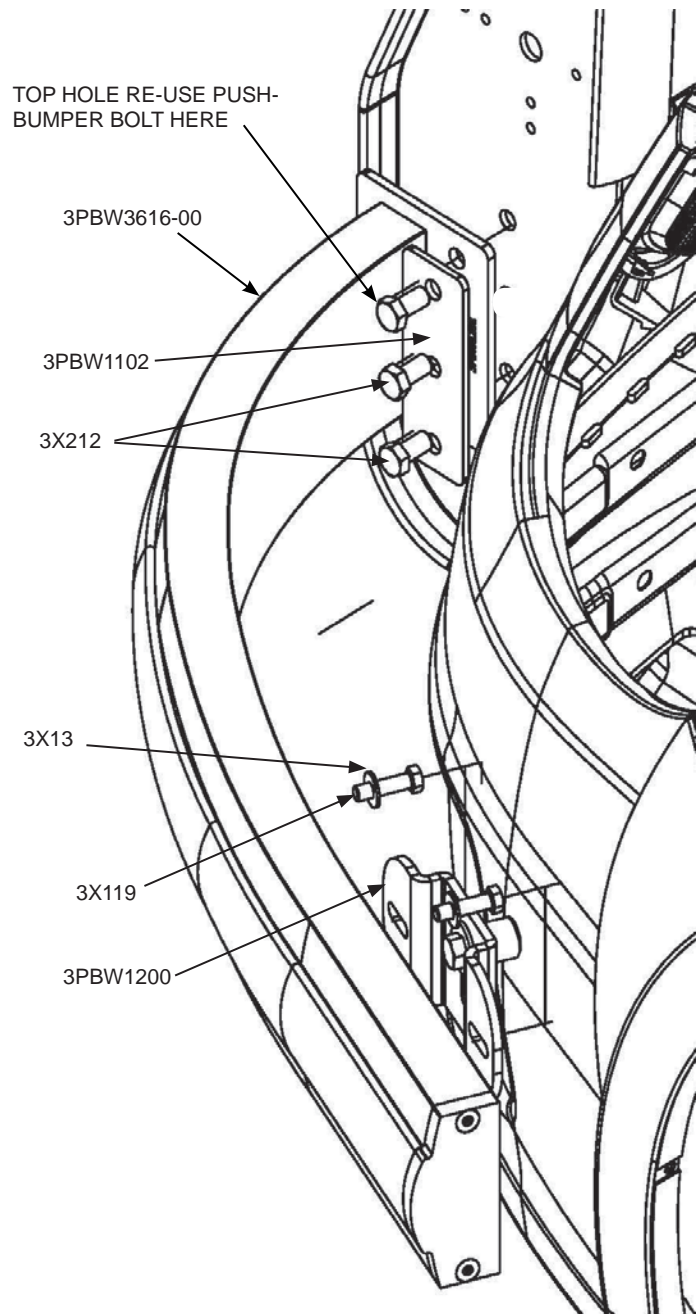
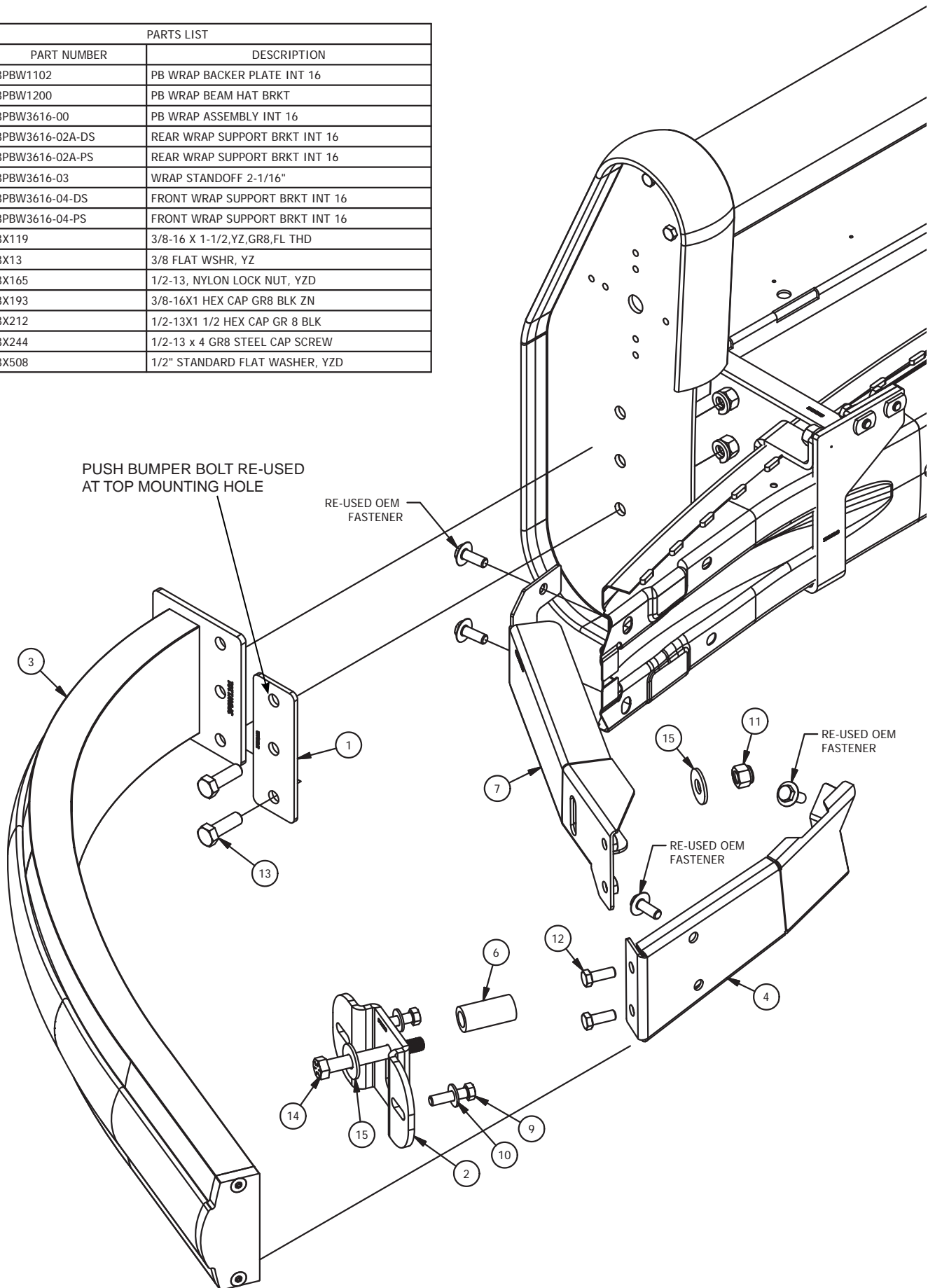
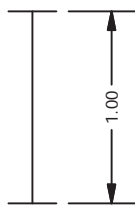


FIG. 4

If you have any problems with this installation then call the toll free number (800-480-6680) and ask for technical assistance.

PARTS LIST			
ITEM	QTY	PART NUMBER	DESCRIPTION
1	2	3PBW1102	PB WRAP BACKER PLATE INT 16
2	2	3PBW1200	PB WRAP BEAM HAT BRKT
3	2	3PBW3616-00	PB WRAP ASSEMBLY INT 16
4	1	3PBW3616-02A-DS	REAR WRAP SUPPORT BRKT INT 16
5	1	3PBW3616-02A-PS	REAR WRAP SUPPORT BRKT INT 16
6	2	3PBW3616-03	WRAP STANDOFF 2-1/16"
7	1	3PBW3616-04-DS	FRONT WRAP SUPPORT BRKT INT 16
8	1	3PBW3616-04-PS	FRONT WRAP SUPPORT BRKT INT 16
9	4	3X119	3/8-16 X 1-1/2,YZ,GR8,FL THD
10	4	3X13	3/8 FLAT WSHR, YZ
11	2	3X165	1/2-13, NYLON LOCK NUT, YZD
12	4	3X193	3/8-16X1 HEX CAP GR8 BLK ZN
13	4	3X212	1/2-13X1 1/2 HEX CAP GR 8 BLK
14	2	3X244	1/2-13 x 4 GR8 STEEL CAP SCREW
15	4	3X508	1/2" STANDARD FLAT WASHER, YZD



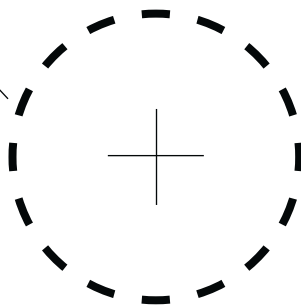


CHECK SCALE

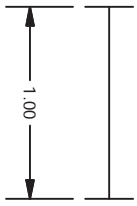
PRINT TEMPLATE AT
ACTUAL SIZE

LINE UP THE TEMPLATE WITH THE
CORRESPONDING EDGES OF THE
FASCIA

CUT A 1-1/2" HOLE ALONG
THE DASHED LINE



SEDAN INTERCEPTOR PUSH BUMPER
WRAPS DRIVER SIDE HOLE TEMPLATE

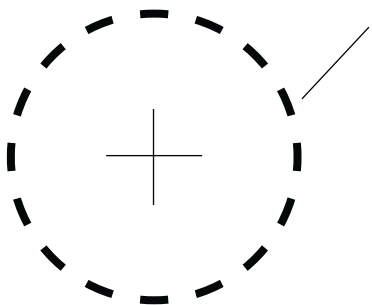


CHECK SCALE

PRINT TEMPLATE AT
ACTUAL SIZE

LINE UP THE TEMPLATE WITH THE
CORRESPONDING EDGES OF THE
FASCIA

CUT A 1-1/2" HOLE ALONG
THE DASHED LINE



SEDAN INTERCEPTOR PUSH BUMPER
WRAPS PASSENGER SIDE HOLE TEMPLATE