

INSTALLATION GUIDE

4KCSC5716

CARGO SECURITY SHELF

2016 - CURRENT

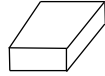
CHEVROLET TAHOE

Pro-gard[™]
PRODUCTS LLC.

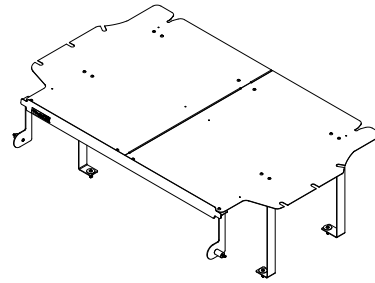
STRONG | RELIABLE | SECURE

pro-gard.com
800.480.6680

THESE COMPONENTS ARE REQUIRED
TO INSTALL THE PRO-GARD CARGO SECURITY SHELF



4KCSC5716
Hardware Kit



4KCSC5716
Cargo Security Shelf

I. Refer to the diagram above to verify all parts were received.

II. The following tools will be required to complete the installation:

1. 7/16" Socket
2. Phillips Screwdriver

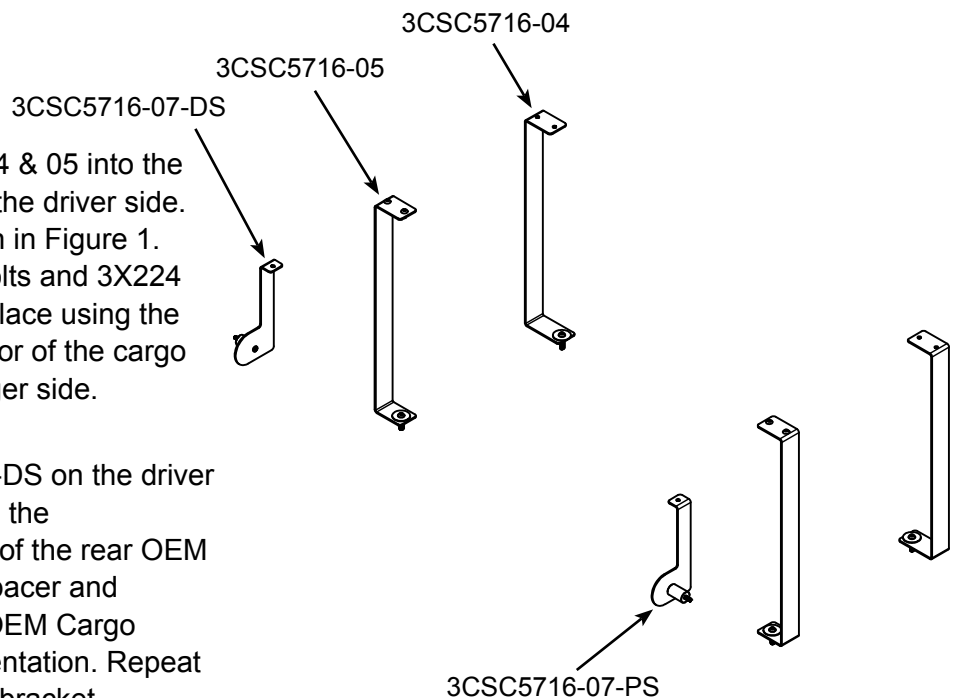
III. Read all instructions carefully before starting the assembly process.

NOTE: *Locate all wiring, fuel lines, brake lines, and /or cooling lines before drilling holes or installing any fasteners.*

IV. Bracket Installation

A. Place brackets 3CSC5716-04 & 05 into the cargo area of the vehicle on the driver side. Then arrange them as shown in Figure 1. Using the provided 3X222 bolts and 3X224 washers, bolt the parts into place using the OEM hole locations in the floor of the cargo area. Repeat on the passenger side.

B. Place bracket 3CSC5716-07-DS on the driver side of the cargo area. Install the bracket into the second hole of the rear OEM trim using the 4G5070P13 spacer and 3X248 M6 bolt Utilizing the OEM Cargo Hook location in the trim indentation. Repeat on the passenger side using bracket 3CSC5716-07-PS. See Figure 1.



- C. Place the front cross member 3CSC5716-03 into place over the tops of brackets 3CSC5716-04, making sure that the two holes on each side of the parts align with one another. See Figure 2.
- D. Now place the rear cross member 3CSC5716-06 into place over the tops of brackets 3CSC5716-07-DS & PS, making sure that the holes on each side of the parts align with one another. See Figure 2.

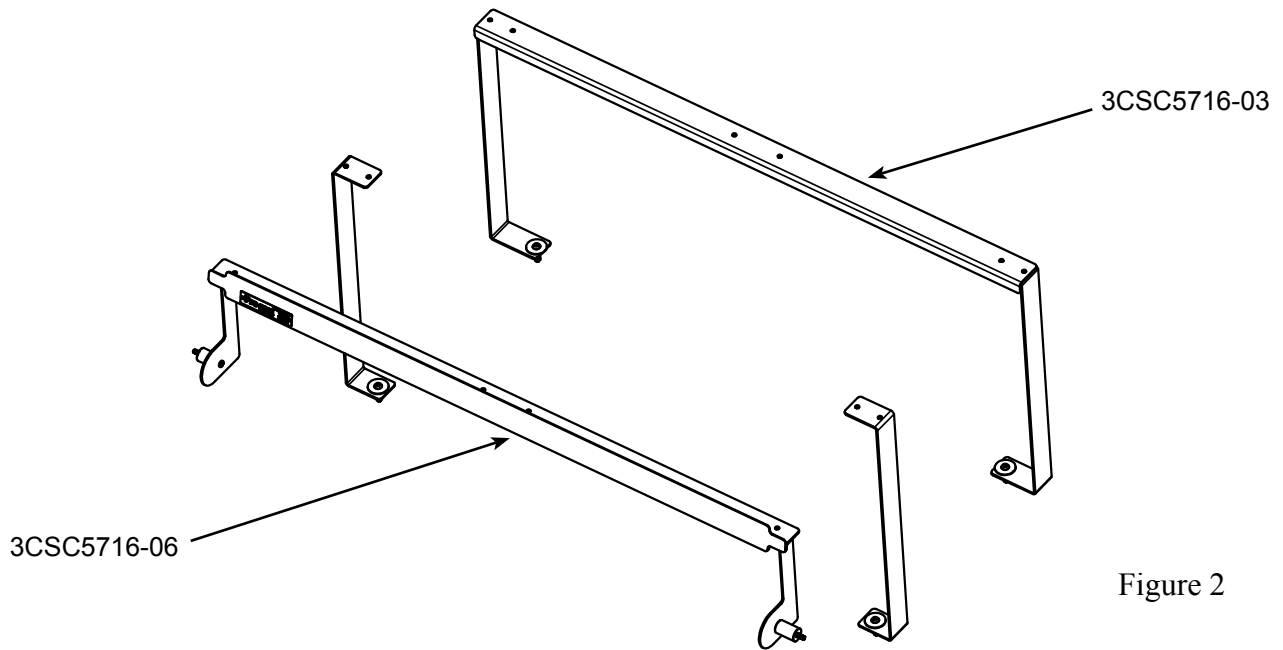


Figure 2

IV. Cargo Shelf Installation

- A. Place the 3CSC5716-01 cargo shelf into place over the brackets and cross members on the driver side. adjust the shelf so that the pre-drilled holes line up with the holes in the bracket and cross members that were aligned in the previous steps. Then using 3X03 bolts secure the shelf in place threading the bolts into weldnuts & 3X16 nuts on the brackets using the aligned hole locations. Repeat on the passenger side using the 3CSC5716-02 cargo shelf. See Figure 3 & 4.

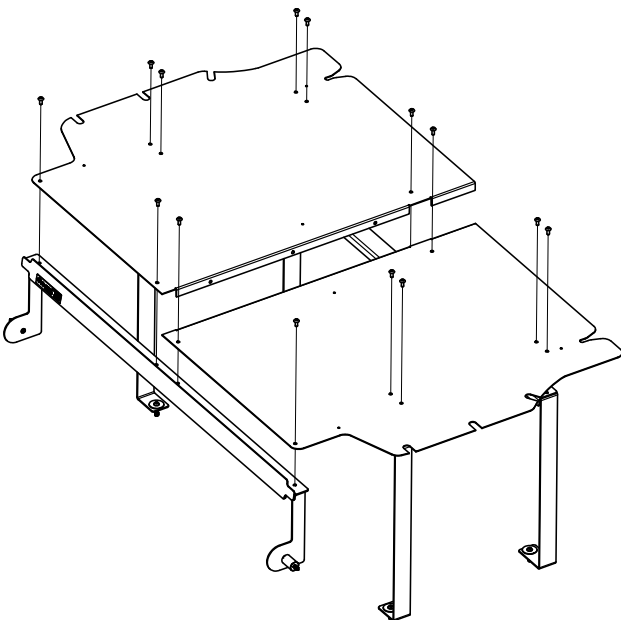


Figure 3

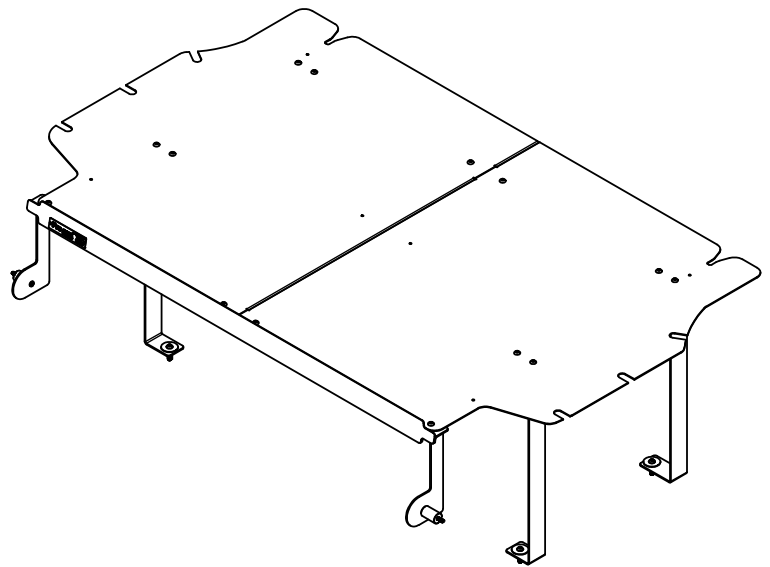


Figure 4

B. On the under side of the shelves there are two tabs that need to be secure together. Line up the holes in the tabs and secure the two shelf halves together using 3X04 bolts and 3X16 nuts. See Figure 5.

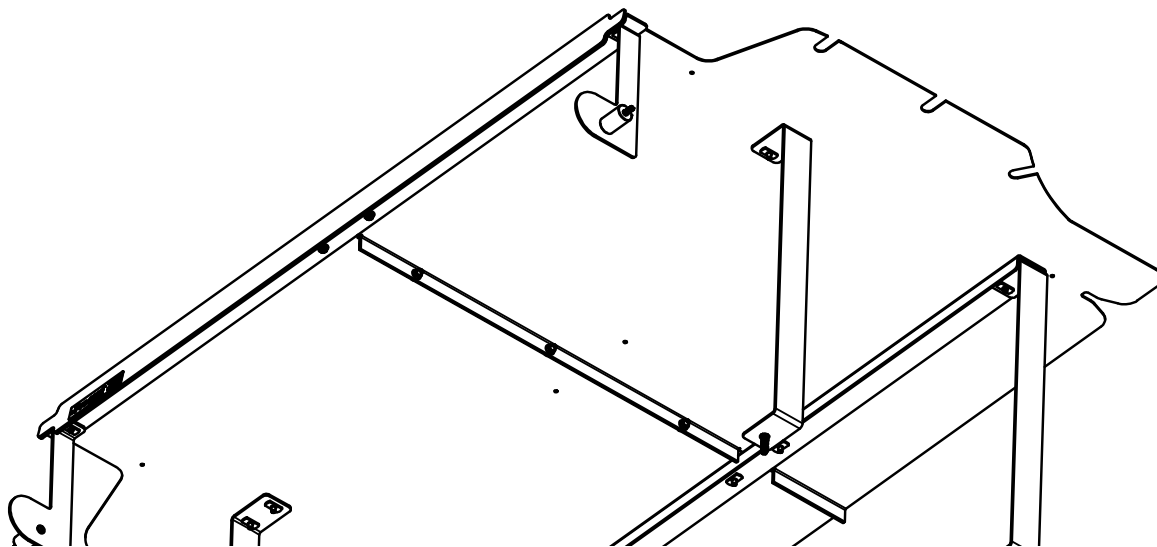


Figure 5

C. In all of the remaining hole locations on the top of the shelf, insert the 3X246 push-in nylon rivets.

Installation complete!

If you have any problems with this installation then call the toll free number (800-480-6680) and ask for technical assistance.

PARTS LIST			
ITEM	QTY	PART NUMBER	DESCRIPTION
1	1	3CSC5716-01	TAHOE CARGO SHELF DS
2	1	3CSC5716-02	TAHOE CARGO SHELF PS
3	1	3CSC5716-03	FRONT CROSS MEMBER ASSY
4	2	3CSC5716-04	FRONT SUPPT BRKT ASSY
5	2	3CSC5716-05	CENTER SUPPT BRKT ASSY
6	1	3CSC5716-06	REAR CROSS MEMBER ASSY
7	1	3CSC5716-07-DS	REAR SIDE BRKT DS ASSY
8	1	3CSC5716-07-PS	REAR SIDE BRKT PS ASSY
9	1	3CSC5716-09	RUBBER MAT
10	14	3X03	1/4-20 X 5/8 PHIL TRUSS HD MS
11	3	3X04	1/4-20 x 5/8" HHMS, BLK
12	5	3X16	1/4-20 WHIZ NUT
13	4	3X222	M0-1.5X35 BUTT HD SCR BLK ZN CR3
14	4	3X224	3/8 x 1 1/2 Washer
15	6	3X246	PUSH-IN NYLON RIVET, BLACK
16	2	3X248	M6 X 1.0 X 30MM PAN HD PHIL MS
17	2	4G5070P13	SPACER, PLASTIC, 1-5/8" LONG

