

INSTALLATION GUIDE

4CSC4716

CARGO SECURITY COVER

2016 - CURRENT

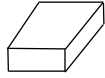
UTILITY INTERCEPTOR

Pro-gard[™]
PRODUCTS LLC.

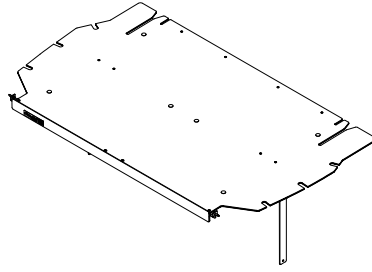
STRONG | RELIABLE | SECURE

pro-gard.com
800.480.6680

THESE COMPONENTS ARE REQUIRED
TO INSTALL THE PRO-GARD CARGO SECURITY COVER



4KCSC4716
Hardware Kit



4CSC4716
Cargo Security Cover

I. Refer to the diagram above to verify all parts were received.

II. The following tools will be required to complete the installation:

1. 7/16" Socket
2. Phillips Screwdriver

III. Read all instructions carefully before starting the assembly process.

NOTE: *Locate all wiring, fuel lines, brake lines, and /or cooling lines before drilling holes or installing any fasteners.*

NOTE: *If installing with the barrier with poly window replace screws with 3X03 screws provided.*

IV. Bracket Installation

A. Attach bracket 3CSC4716-07 to the barrier using the 4 hole locations shown in Figure 1. It is attached by using the hardware already provided in those locations.

B. Loosely attach bracket 3CSC4716-05 on the passenger side using the same attachment location and hardware as the barrier support bracket shown in Figure 1. Make sure the bracket is placed in the inner-most position with all other brackets behind it starting with the other grey bracket behind it, then the black bracket behind the other grey one. Repeat on the driver side.

C. Brackets 3CSC4716-03 are installed in place of the rear cargo hooks using a 3X110 self-drilling screw as shown in Figure 1.

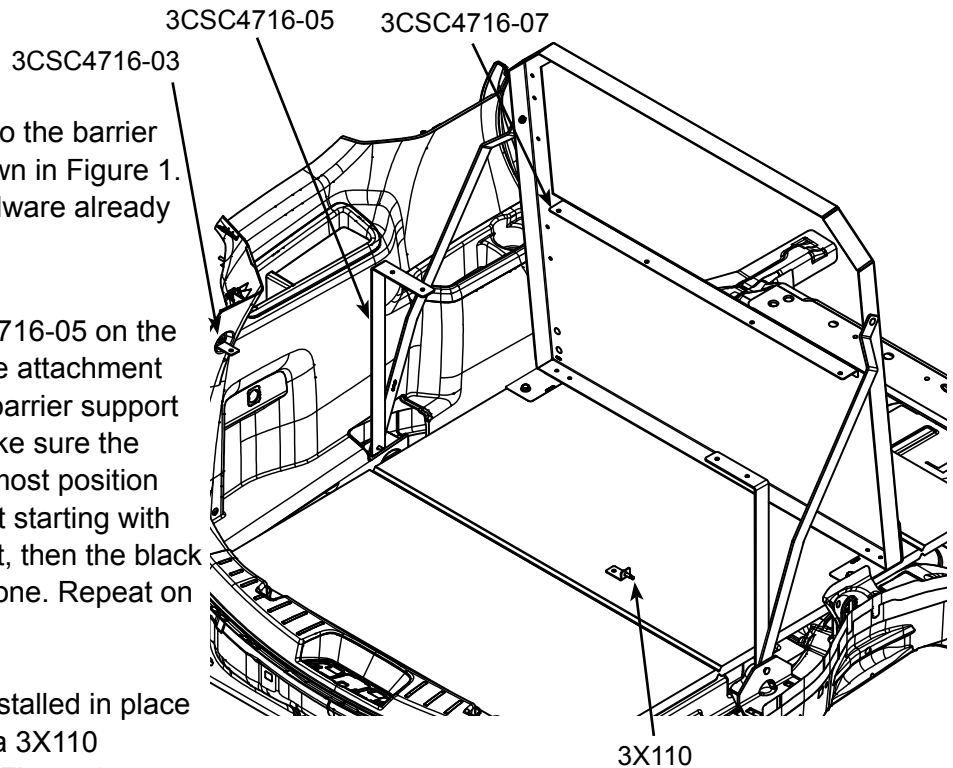


Figure 1

D. Now place the rear cross member 3CSC4716-04 into place over the tops of brackets 3CSC4716-03, making sure that the holes on each side of the parts align with one another. See Figure 2.

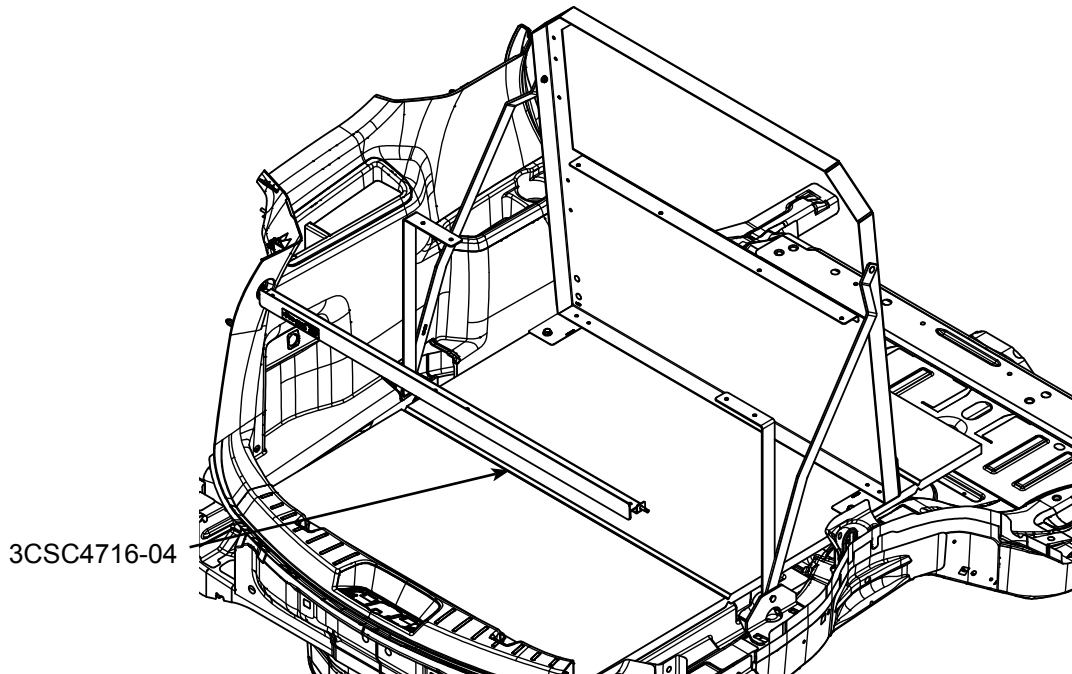


Figure 2

IV. Cargo Cover Installation

A. Place the 3CSC4716-01 cargo shelf into place over the brackets and cross members on the driver side. adjust the shelf so that the pre-drilled holes line up with the holes in the bracket and cross members that were aligned in the previous steps. Then using 3X03 bolts secure the shelf in place threading the bolts into weldnuts on the brackets using the aligned hole locations. There is a hole in the front near the center that requires a 3X16 nut, instead of a weldnut. Repeat on the passenger side using the 3CSC4716-02 cargo shelf. See Figure 3 & 4. In all of the remaining hole locations on the top of the shelf, insert the 3X246 push-in nylon rivets.

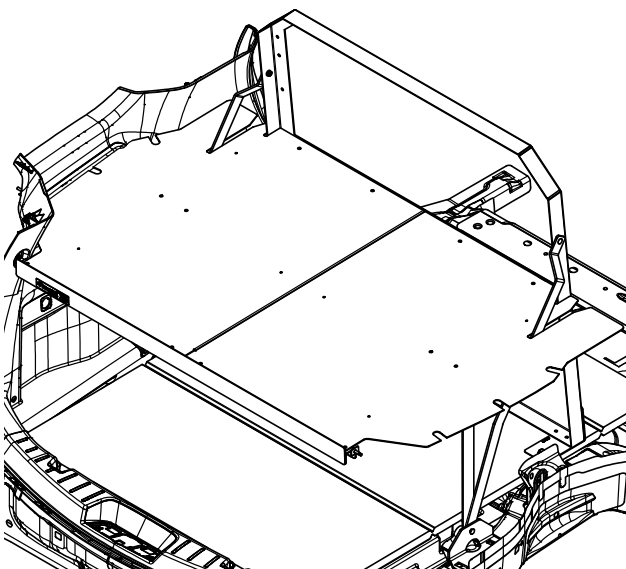


Figure 3

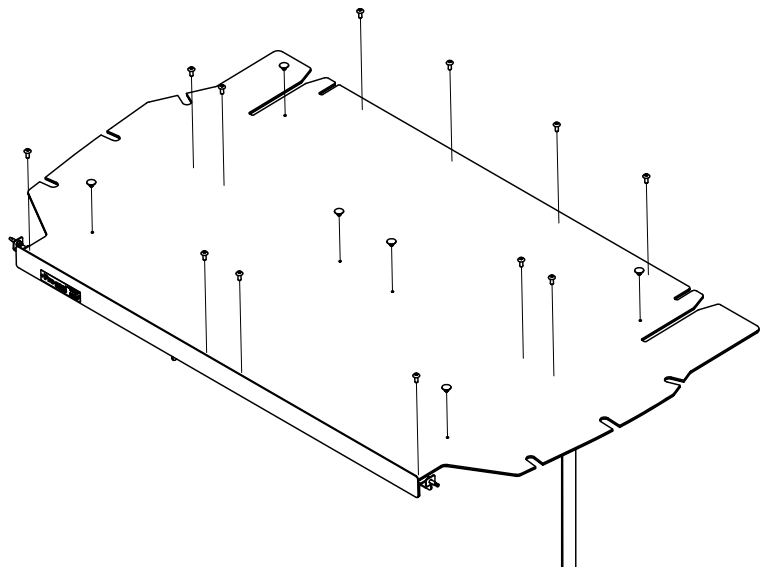


Figure 4

B. On the under side of the shelves there are two tabs that need to be secure together. Line up the holes in the tabs and secure the two shelf halves together using 3X04 bolts and 3X16 nuts. See Figure 5.

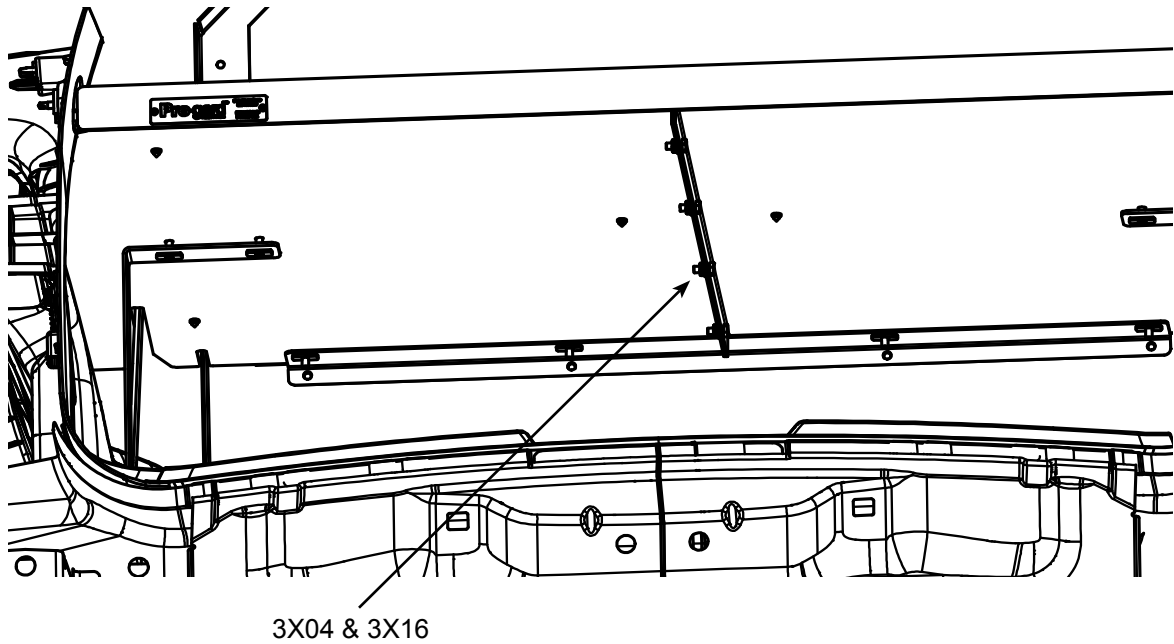


Figure 5

Installation complete!

If you have any problems with this installation then call the toll free number (800-480-6680) and ask for technical assistance.

NOTE: IF INSTALLING WITH BARRIER WITH POLY WINDOW
 REPLACE SCREWS WITH LONGER 3X03 SCREWS PROVIDED.

PARTS LIST		
ITEM	QTY	PART NUMBER DESCRIPTION
1	2	3CSC4716-03 SHELF SUPPT BRACKET
2	1	3CSC4716-01 UI CARGO SHELF DS
3	1	3CSC4716-02 UI CARGO SHELF PS
4	1	3CSC4716-04 REAR CROSS MEMBER ASSY
5	2	3CSC4716-05 CENTER SUPPORT ASSY
6	1	3CSC4716-07 SHELF BRACKET ASSY
7	1	3CSC4716-09 RUBBER MAT
8	12	3X03 1/4-20 X 5/8 PHIL TRUSS HD MS
9	4	3X04 1/4-20 x 5/8" HHMS, BLK
10	2	3X110 1/4"-14x1" SELF DRILLING SCREW
11	6	3X16 1/4-20 WHIZ NUT
12	6	3X246 PUSH-IN NYLON RIVET, BLACK

