

INSTALLATION GUIDE

WB47UINT13

**STEEL WINDOW ARMOR AND
ABS DOOR PANEL**

2013 - CURRENT FORD

POLICE UTILITY INTERCEPTOR

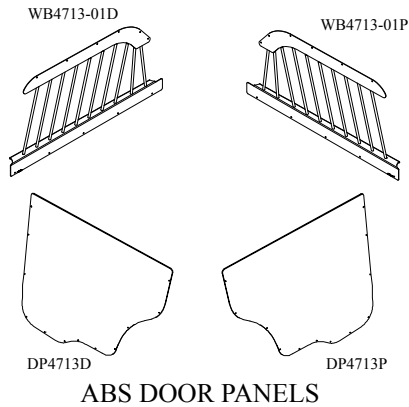
Pro-gard[™]
PRODUCTS LLC.

STRONG | RELIABLE | SECURE

**pro-gard.com
800.480.6680**

THESE COMPONENTS ARE REQUIRED
TO INSTALL THE PRO-GARD STEEL WINDOW ARMOR

STEEL WINDOW ARMOR ASSEMBLIES



HARDWARE KIT

- I. Refer to the diagram on the last page to verify all parts were received.
- II. The following tools will be required to complete the installation.
 1. Drill with standard #2 Philips driver
 2. Drill bit 7/64" diameter
 3. T20 Torx Bit & Bit Driver
- III. Read all instructions carefully before starting the assembly process.

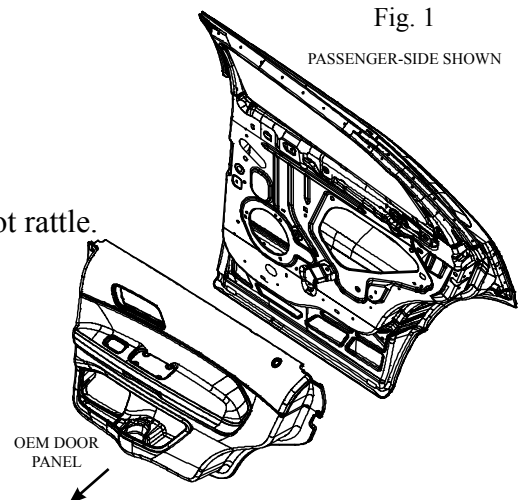
NOTE: *Locate all Wiring, Fuel Lines, Brake Lines, and/or Cooling Lines before drilling holes or installing any Fasteners.*

IV. OEM Door Panel Removal

- A. Remove the OEM door panel from the door frame. (See Fig. 1)

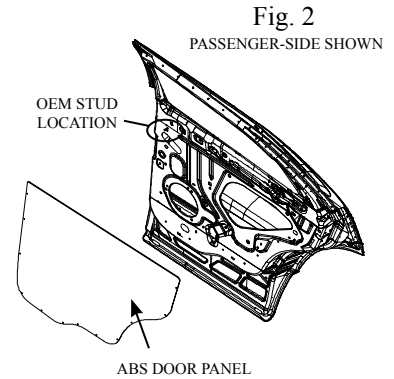
Note: Save the lower two OEM fasteners, as they will be reused in ABS Door Panel installation.

- B. Remove the power window switch from the door panel.
- C. Secure the door latch cable to the door frame so it will not rattle.
- D. Make sure the power window switch is connected to the harness, protect it from moisture and secure the harness inside the door frame away from the window travel.
- E. Sand down the top portion of OEM Stud (flush with nut) holding the window track into place. (See Fig. 2)



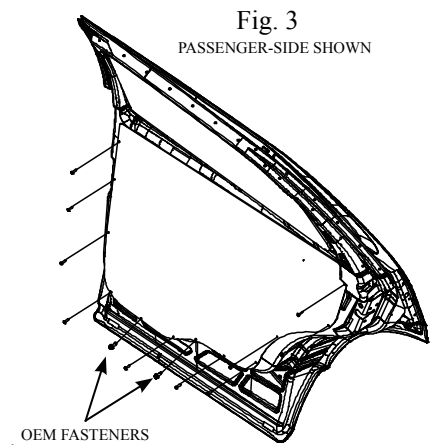
V. ABS Door Panel Installation

- A. Place the ABS Door Panel against the door and align and install the lower two OEM screws into the existing holes on the bottom of the door.(See Fig. 2 & 3)
- B. Attach the remainder of the door panel with (3X72) #8 x 5/8 self tapping screws (Do not install screws in the 5 holes along the top until window armor has been installed)



VI. Window Armor Installation

- A. Place the Window Armor on top of the rubber trim installed above. Center the outside of the metal mounting frame on the door side to side. (See Fig. 4)
- B. Align the holes in the top rail with the upper door frame. Ensure all holes line up with door frame before securing.
- C. Install the center lower screw first then install the upper plate screws. Followed by the remaining lower screws. The supplied screws (3X72) are a Type A-self tapping but sometimes it is necessary to drill a 7/64" pilot hole.



VII. Installation Complete

