

INSTALLATION GUIDE

ABS TRANSPORT SEAT

ABS FLOOR PAN

2013 - CURRENT

FORD POLICE

UTILITY INTERCEPTOR

Pro-gard[™]
PRODUCTS LLC.

STRONG | RELIABLE | SECURE

pro-gard.com
800.480.6680

THESE COMPONENTS ARE REQUIRED
TO INSTALL THE PRO-GARD PARTITION SYSTEM



I. Refer to the diagram on the last page of these instructions to verify all parts were received.

II. The following tools will be required to complete the installation.

- A. 1/4" drive ratchet with 7/16" socket
- B. 3/8" drive ratchet and 6" extension with 15mm and 18mm sockets
- C. E-8 External Torx Socket or 1/4" 12pt Socket
- D. 1/2" drill bit with drill gun
- E. Saw

III. Read all instructions carefully before starting the assembly process.

NOTE: *Locate all Wiring, Fuel lines, Brake lines, Coolant lines and Refrigerant lines before drilling holes or installing self-drilling fasteners.*

Note: *If the vehicle has the OEM wire raceway option, the seat will need to be trimmed to accommodate the raceway. Located on the underside of the seat are markings indicating where the seat will need to be trimmed. Using a 1/2" drill bit, drill out the (2) corners of the markings. Then using a saw remove the rest of the material being careful to follow the outlines.*

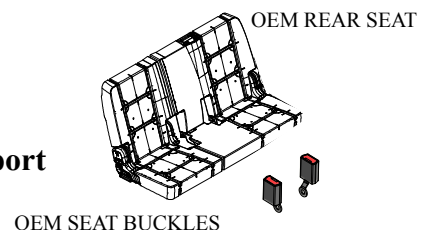
V. Remove OEM Rear Seat

A. Locate the four OEM seat rear mounting bolts, they are located at the rear of the OEM rear seat under the Load Floor Access Panel. Using a 18mm socket wrench remove the bolts. Next, remove the four OEM nuts and the four OEM bolts securing the front of the OEM rear seat to the vehicle. After removing the seat, also remove the 4 studs remaining that were used to secure the OEM rear Seat. (Use an E-8 external torx socket or a 1/4" 12 pt socket)

B. Remove the two center OEM seat belt buckles from the OEM seat (See Fig. 1) Fig. 1

C. Once the OEM seat is removed there are two foam blocks that must be removed/cut from the vehicle. There is also a piece of foam between these two foam blocks at the center. This foam must be removed for the seat to fit into the vehicle.

NOTE: This step must be performed to allow the ABS transport seat to fit properly during installation!



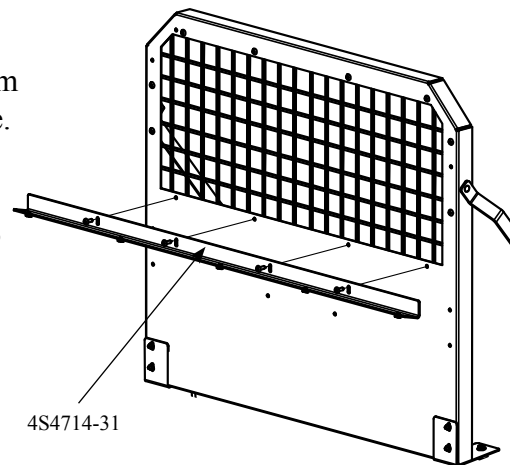
VI. Cargo Barrier Installation.

- A. The Cargo Barrier (4B5102P/4B5105), Barrier Mounting Hardware (4B4713UINT), and Barrier Filler Wings (W47BUINTAB-S) are marked and packed in separate boxes. Install the Cargo Barrier components according to their included Install Instructions.

VII. ABS Transport Seat Mounting Rail Installation

- A. Remove the lower four screws and nuts securing the window into the cargo barrier. Retain them for the next step.
- B. Orient the Seat Upper Mounting Rail (3S4714-31) so the side of the rail with the weld nuts is on bottom. Place the Rail onto the Cargo Barrier and align the four slots with the lower holes in the Barrier. Fasten the Rail using the new longer screws in the hardware kit and the nuts previously removed from the Barrier. (See Fig. 2)

Fig. 2



VIII. Seat Belt Extension Bracket Installation.

- A. Remove the nuts from the studs securing the brace from the OEM rear frame support to the seat mounting plate. Retain the nuts for use in the next step.
- B. Orient the Seat Belt Extension Bracket (3S4711-30) so the offset faces the front of the vehicle. Place the bracket over the studs in the OEM Brace and secure using the nuts removed previously (See Fig. 3)

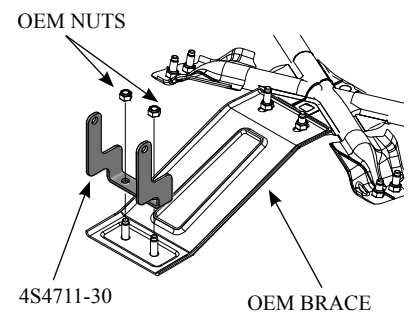
IX. Floor Pan Installation

If no ABS Floor Pan is being installed skip to Section X.

- A. Place the ABS Floor Pan in the vehicle, making sure that there are no objects underneath of it. Insure that the Floor Pan is all the way back and down against the rear seat area.

Note: *The Floor Pan goes under the B-pillar trim and flush against the rear scuff trim.*

Fig. 3



X. ABS Transport Seat Installation.

- A. The front portion (flap) of the load floor must be flipped up out of the way to allow the transport seat to be fully installed into the vehicle. It may help to tape this flap up out of the way as it is difficult to hold the flap up during transport seat installation.
- B. Place the ABS Seat into the vehicle. Tip the seat to the rear, pull the shoulder belts out of the way and slide the seat back and up until the four holes along the front lip of the seat begin to align with the four OEM seat mounting stud locations in the floor. Take extra care when aligning the Seat Belt Extension Bracket with the Slots in the ABS Seat. Push the seat back and down so that the back lip of the seat rests on top of the the Seat Mounting Rail flange.

Note: *The ABS Transport Seat sits on top of the ABS Floor Pan and the OEM rear scuff trim.*

- C. Start the five button socket head cap screws (3X223) and the five washers (3X12) along the top of the seat into the Seat Mounting Rail. Tighten using a 5/32" Allen Wrench. It may be necessary to enlarge the holes in the Transport Seat to insure proper thread starting.

- D. Starting with the drivers side Place a 1-1/2" Diameter black Fender Washer (3X224) in the pocket at the bottom of the seat. Apply force against the bottom of the seat towards the rear of the vehicle so the hole in the pocket and the washer line up with the location where the OEM stud was removed from the floor. Repeat for passenger side of vehicle. Install the M10 Button Socket Cap Screw (3X222) through the washer and seat and tighten using a 6mm allen key.
Repeat for other three holes.

- E. Check the overall fit and alignment of the seat. Tighten all seat fasteners.

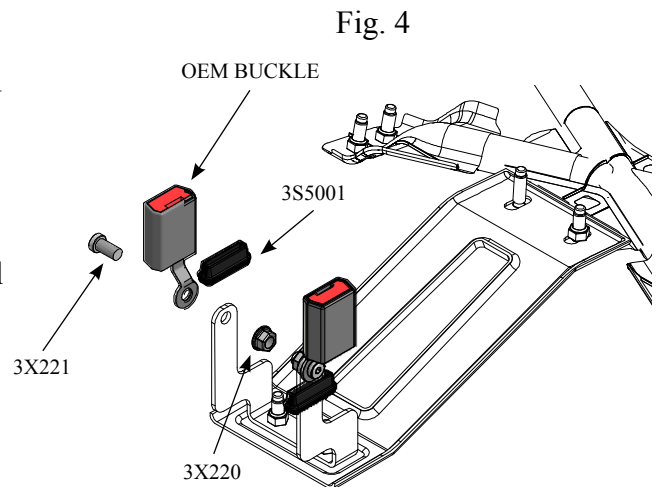
XI. Seat Belt Buckle Installation.

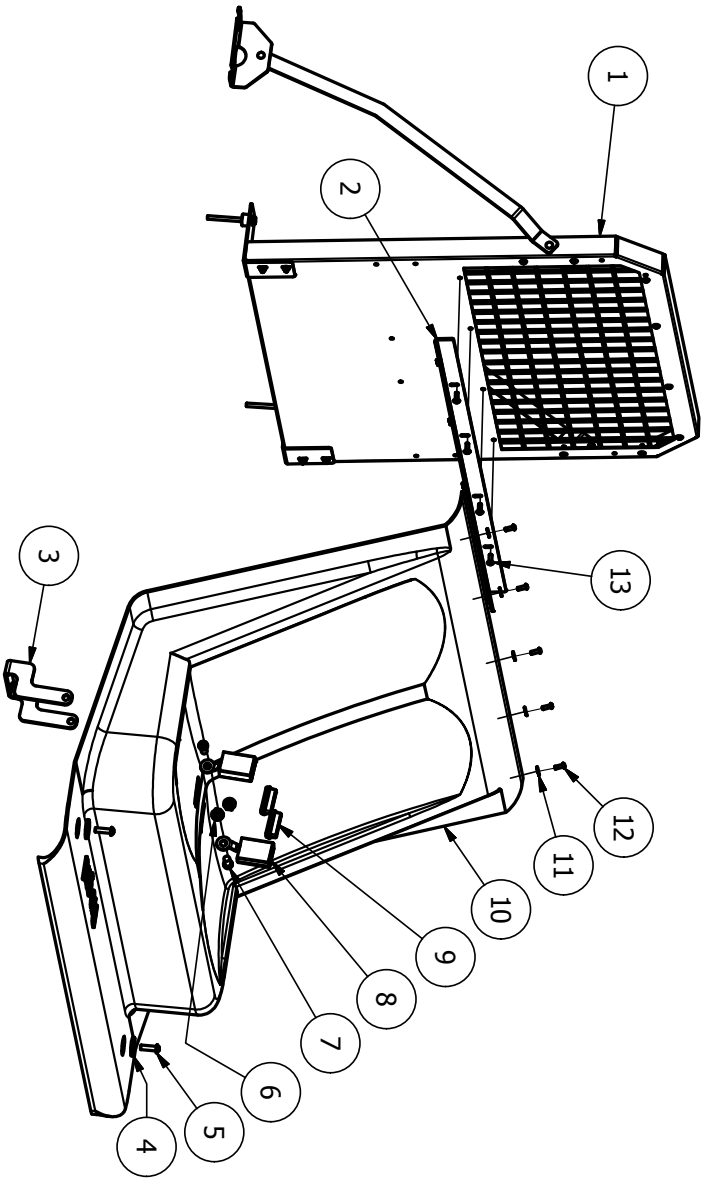
- A. Place the Rubber Seat Belt Grommets (3S5001) over the Seat Belt Extensions and into the slots on the ABS Transport Seat. Use a screw driver or similar tool to push the lip of the grommet behind the slot in the seat.

- B. Using the Supplied 1/2-13 x 1" (3X221) Low Head Bolts and 1/2-13 Flange Nuts (3X220) Attach the OEM seat belt buckles to the Seat Belt Extension Bracket (See Fig. 4)

- XII. Audit the overall installation for fit and function of all components, insure all fasteners are tight.

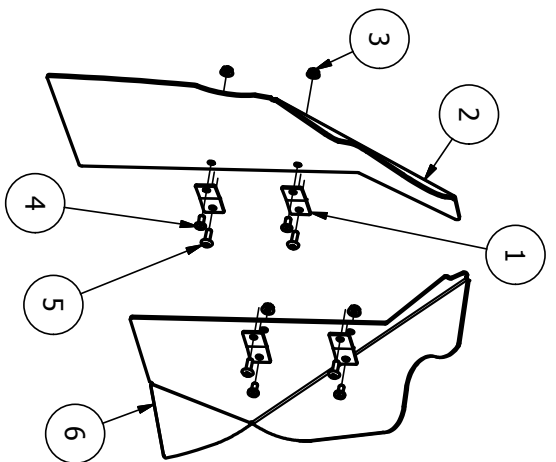
- XIII. Installation is now complete.





ABS TRANSPORT SEAT - PARTS LIST

| ITEM QTY | PART NUMBER | DESCRIPTION |
|----------|-------------|---|
| 1 | B47XXUINT13 | CARGO BARRIER ASSEMBLY (INSTALLED SEPARATELY) |
| 2 | 3S4714-31 | SEAT SUPPORT BRACKET, BOLTS TO BARRIER |
| 3 | 3S4711-30 | SEAT BELT EXTENSION BRACKET |
| 4 | 3X224 | 1-1/2" O.D. FENDER WASHER, BLK |
| 5 | 3X222 | M10-1.5 x 35 BUTTON SOCKET CAP SCREW, BLACK |
| 6 | 3X220 | 1/2-13 FLANGED NUT GR8, BLACK |
| 7 | 3X221 | 1/2-13 X 1 LOW HEAD SOCKET CAP SCREW, BLACK |
| 8 | NONE | OEM SEAT BELT (REMOVE FROM OEM SEAT) |
| 9 | 3S5001 | RUBBER SEAT BELT EXTENSION GROMMET |
| 10 | 3S47UINT13 | ABS TRANSPORT SEAT, UTILITY INTERCEPTOR |
| 11 | 3X12 | 1/4" FLAT WASHER, BLACK |
| 12 | 3X223 | 1/4-20 x 3/4", BSHCS, BLACK |
| 13 | 3X05A | 1/4-20 X 7/8 PHIL TRUSS HD SCREW, BLACK |
| 14 | 3FP47UINT13 | ABS FLOOR PAN (NOT SHOWN) |
| 15 | 3S601 | DRAIN PLUG (INSTALLS IN FLOOR PAN), NOT SHOWN |



BARRIER WING KIT - PARTS LIST

| ITEM QTY | PART NUMBER | DESCRIPTION | |
|----------|-------------|-------------|--------------------------------|
| 1 | 4 | 3B929 | WING MOUNT BRACKET |
| 2 | 1 | 3W4713-BPS | AIR BAG WING PASSENGER |
| 3 | 4 | 3X16 | 1/4-20 WHIZ NUT |
| 4 | 4 | 3X02 | 1/4-20 X 0.5, PHIL TRUSS HD MS |
| 5 | 4 | 3X05A | 1/4-20 X 7/8 PHIL TRUSS HD MS |
| 6 | 1 | 3W4713-BDS | AIR BAG WING DRIVER |