

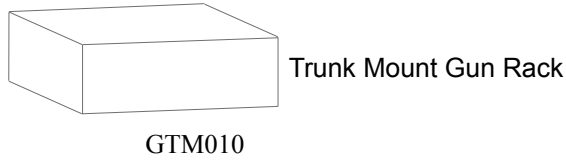
**INSTALLATION GUIDE**  
**GTM010 TRUNK MOUNT**  
**SHOTGUN GUN RACK**  
**SEDAN**

**Pro-gard**<sup>™</sup>  
PRODUCTS LLC.

STRONG | RELIABLE | SECURE

**pro-gard.com**  
**800.480.6680**

THESE COMPONENTS ARE REQUIRED  
TO INSTALL THE TRUNK MOUNT SHOTGUN GUN RACK



**I. The following tools will be required to complete the installation.**

- |                                    |                      |
|------------------------------------|----------------------|
| A. 7/16" and 13mm Socket & Ratchet | C. 9/32" Allen Wrenc |
| B. 5/32" Allen Wrench              | D. 7/16" Wrench      |

**II. Installing The Trunk Mount Shotgun Gun Rack**

- A. Open the trunk of the vehicle, and find the openings in the truck to allow the two 3G131 brackets to go into place. Carefully slide the brackets into place, so that the studs line up with two corresponding OEM hole locations. Once this is done, place the 3GTM1404 mounting brackets into place and attach them with (3X16) nuts. Remove the end cap from the rack, and slide the rack onto the the "T" nuts that are already attached to the brackets until the rack is centered with the trunk lid. Tighten the "T" nuts securely with an allen wrench. (See Fig. 1)
- B. All brackets on the gun rack are adjustable. The gun should be fit to the gun rack before mounted to the vehicle by using a 5/32" allen wrench. Loosen the mounting bolts and slide brackets to fit the intended gun.

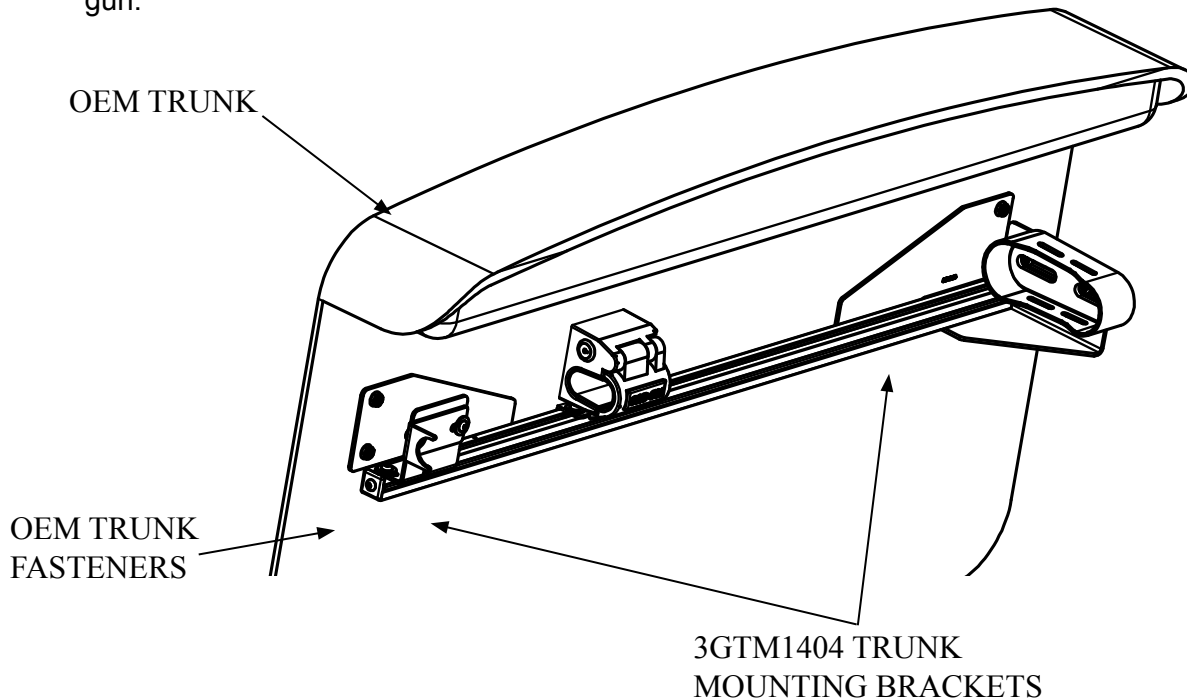


Fig. 1

## VI. Gun lock switch and timer installation.

- A. We suggest mounting the momentary release button in a concealed location that can be easily reached by the officer, but would be hidden in case an unauthorized entry occurs.
- B. Connect the gun lock wiring as shown in the diagram below.

**WARNING:** *Pro-gard requires the use of a 10 AMP fuse between the power source and gun lock circuit or the warranty will be voided!*

## VII. Lock Head Operating Instructions

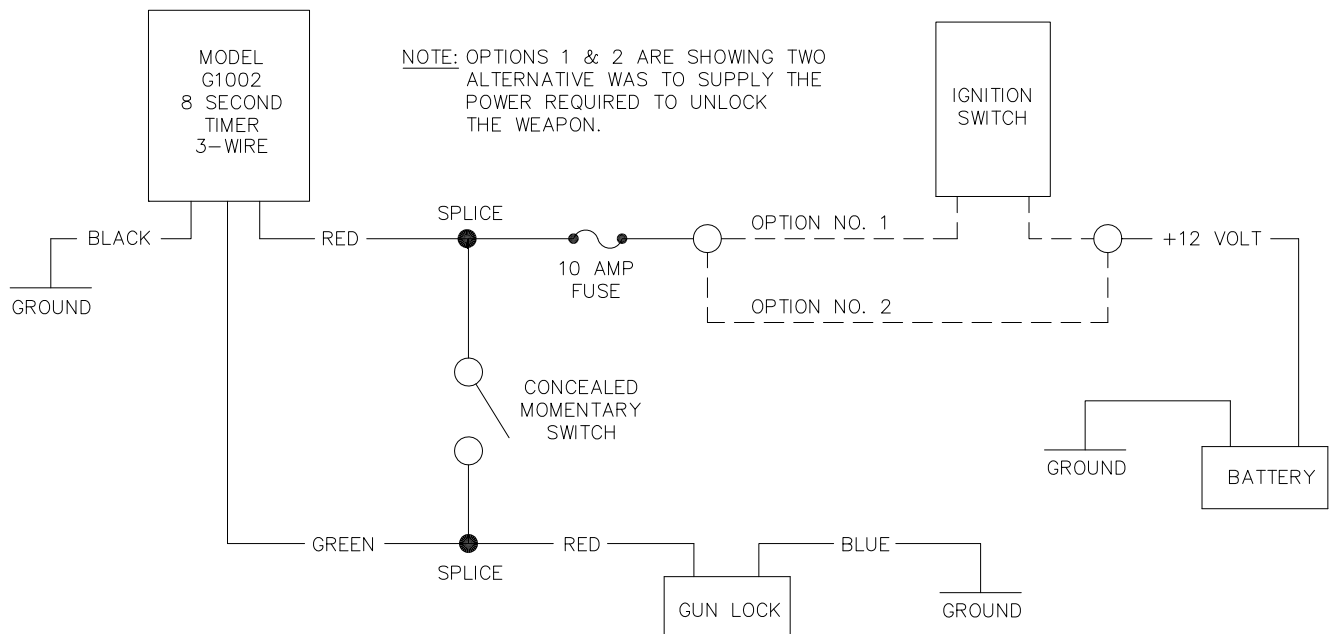
- A. To release, grasp the weapon, but do not pull it against the lid of the gun lock.
- B. While depressing and holding the release button (momentary switch), push and then pull the weapon towards the lid of the gun lock to release it from the lock.

**NOTE:** *One handed operation is possible utilizing the optional 8 second timer. The timer will unlock the lock for 8 seconds following activation of the momentary switch. If the gun is not pulled out of the lock within 8 seconds after activation of the momentary switch, the lock will automatically re-lock.*

**NOTE:** *If lid of the lock does not release, press in on the lid to release tension and reactivate the release button (unless timer is still active).*

### Installation Complete!

**Call Pro-gard technical support if assistance is needed. 1-800-480-6680**



PARTS LIST			
ITEM	QTY	PART NUMBER	DESCRIPTION
1	1	1010-BLACK 80/20 INC	1" X 1" T SLOTTED BLACK ANODIZE
2	8	3X16	1/4-20 WHIZ NUT
3	2	3X149	5/16-18 X 3/4 BSHCS, BK
4	6	3X257	1/4-20X3/8 BUT HD SOC SCR BLK
5	12	3X236	1/4-20X1.0DUAL TAB SPOT WELD
6	1	201501-PLAIN	2015-PLAIN W/O 3272 PLASTIC
7	8	3X258	1/4-20X1/2 BUTT HD SOC SC BLK
8	10	3X12	1/4 FLAT WASHER, BLACK
9	1	3G4962-002	BUTT PLATE BLACK NYLON
10	2	3X184	1/4-20X0.75, SBHCS, BLACK OXIDE
11	1	3G4963-002	RUBBER BUTT PLATE PAD
12	1	3X230	1/4-20X1/4 BUTT HD SOC CAP SCR
13	2	2GVM201-006	L-BRACKET
14	1	3G203	GTM 870 BARREL BRACKET
15	1	G4904H	LOCK SMALL STYLE H
16	2	3GTM1404	MOUNTING BRACKET
17	2	3G131-WELDMENT	GUNRACK MT BRKT.
18	1	3G206	SEDAN 870 TRUNK BP BRACKET

