

INSTALLATION GUIDE

GMM003

MOTORCYCLE GUNRACK

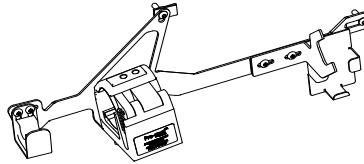
2014 - CURRENT

Pro-gard[™]
PRODUCTS LLC.

STRONG | RELIABLE | SECURE

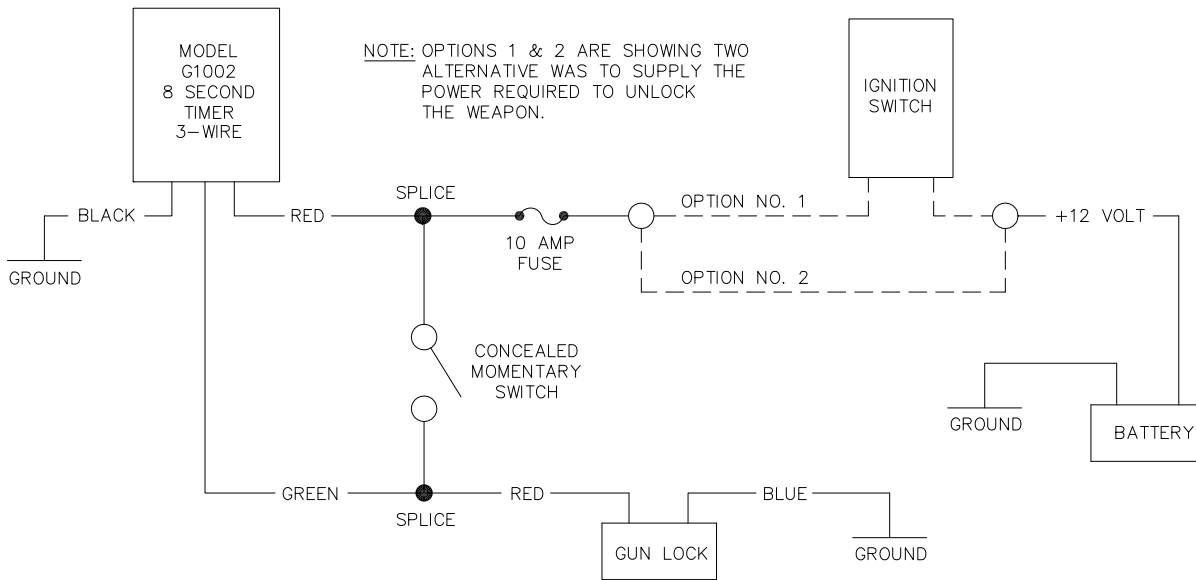
pro-gard.com
800.480.6680

THESE COMPONENTS ARE REQUIRED
TO INSTALL THE PRO-GARD MOTORCYCLE GUN RACK SYSTEM



MOTO - GUN RACK SYSTEM

- I. Removing contents saddle bag
 - A. Remove all items from the right-side saddle bag of the motorcycle.
- II. Removing Saddle bag fasteners
 - A. Remove the OEM fasteners from the saddle bag brackets located at the top inside the saddle bag. Replace the retaining fasteners located on saddle bag mounting bracket with the retaining fasteners (94850A158) provided in the hardware kit.
NOTE: Leave rubber bushings installed.
- III. Installing the gun rack
 - A. Orient the gun rack so the that the barrel of the gun is facing toward the rear of the saddle bag. Align the mounting holes in the gun rack frame with the OEM holes in the saddle bag. Using the supplied nuts, bolt, and washers attach the gunrack and saddle bag using the OEM mounting points.
 - B. Secure all fasteners
- IV. Wiring the Gun Lock
 - A. Mount the release button (momentary switch) in a concealed location that can be reached easily by the officer, while holding on to the weapon.
 - B. Connect the red lead of the gun lock to one side of the release button (momentary switch) and the green wire from the timer. It will be necessary to add appropriate gauge.
 - C. Connect a wire lead from the other side of the release button (momentary switch) to the red wire from the timer and either a switched or un-switched power source on the fuse block. This will allow the lock to operate with the ignition key on, or off, respectively.
 - D. Connect a wire lead from the other side of the release button (momentary switch) to the red wire from the timer and either a switched or un-switched power source on the fuse block. This will allow the lock to operate with the ignition key on, or off, respectively.

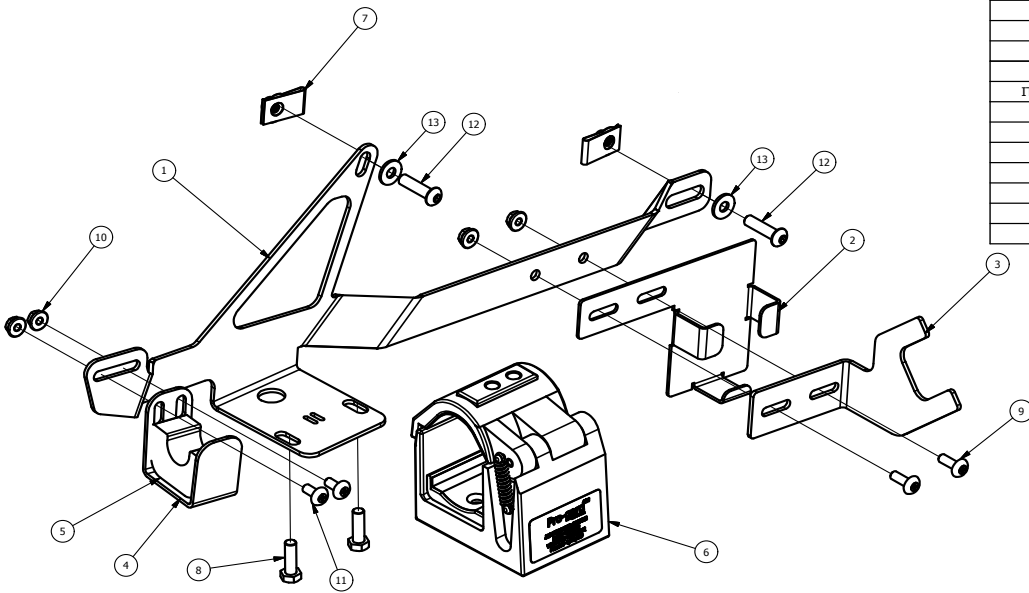


VII. To release the weapon:

- A. Grasp the weapon, but do not pull it against the lid of the gun lock.
- B. While depressing and holding the release button (momentary switch), push and then pull the weapon towards the lid of the gun lock to release it from the lock.

Note: One handed operation is possible utilizing the optional 8 second timer. The timer will unlock the lock for 8 seconds following activation of the momentary switch. If the gun is not pulled out of the lock within 8 seconds after activation of the momentary switch, the lock will automatically re-lock.

Important: If lid of the lock does not release, press in on the lid to release tension and reactivate the release button (unless timer is still active).



PARTS LIST			
ITEM	QTY	PART NUMBER	DESCRIPTION
1	1	3G1806	MAIN FRAME
2	1	3G1807	MAGAZINE BRACKET
3	1	3G1803	CHARGING HANDLE BRACKET
4	1	3G560	BARREL FOAM BRACKET
5	1	3G586	BARREL FOAM
6	1	G4904-NPG	R GUN LOCK
HARDWARE LIST			
ITEM	QTY	PART NUMBER	DESCRIPTION
7	2	94850A158	5/16 SLIP CLIP
8	2	3X75	5/16-18 x 1" HHMS, Zn
9	2	3X05	1/4-20 X 3/4 PHIL TRUSS HD MS
10	4	3X16	1/4-20 WHIZ NUT
11	2	3X03	1/4-20 X 5/8 PHIL TRUSS HD MS
12	2	3X197	5/16-18 X 1-1/4 BSHCS, BK
13	2	3X12	1/4 FLAT WASHER, BLACK