

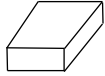
INSTALLATION GUIDE
ASBD57T15 ALUMINUM
STORAGE DRAWER AND
WSD57T15 WEAPON STORAGE
DRAWER
2015 - CURRENT
CHEVROLET TAHOE

Pro-gard[™]
PRODUCTS LLC.

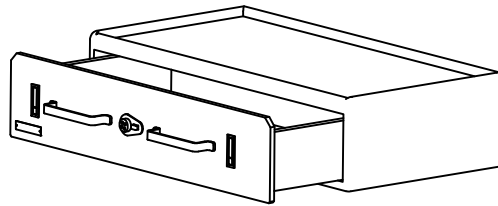
STRONG | RELIABLE | SECURE

pro-gard.com
800.480.6680

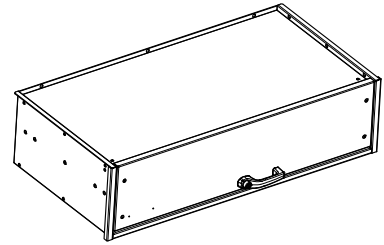
THESE COMPONENTS ARE REQUIRED
TO INSTALL THE PRO-GARD BARRIER



4ASBD57T15
Hardware Kit



3WSD5715-01
Weapon Storage Drawer



3ASBD57T15 Aluminum
Weapon Storage Drawer

I. Refer to the diagram above to verify all parts were received.

II. The following tools will be required to complete the installation:

1. 7/16" Socket
2. Phillips Screwdriver
3. 6mm Hex Wrench
4. Utility Knife/ 1" Hole Saw

III. Read all instructions carefully before starting the assembly process.

NOTE: *Locate all wiring, fuel lines, brake lines, and /or cooling lines before drilling holes or installing any fasteners.*

IV. Weapon Storage Drawer Installation

- A. Measure 11" from the front of the cargo area and 3 1/2" from the edge of the side trim panel. Remove a 1" diameter circle of vinyl flooring exposing a m8 x 1.25 hole in the vehicle floor. (see figure 1.)
- B. Measure 28.5" from the front of the cargo area and 2 1/8" from the side trim panel. Remove a 1" diameter of vinyl flooring exposing another m8 x 1.25 hole in the floor of the vehicle.
- C. Repeat process for the opposite side of the vehicle.

- D. Align the mounting holes in bracket 3WSD5715-02D with the holes in the vehicle floor. Secure using the provided 3X222 bolts and 2X224 washers. Repeat the process for the opposite side using bracket 3WSD5715-02P.

NOTE:

It may be necessary to have a second person to install and position the Weapon Storage Drawer.

- E. With the mounting brackets in place, gently position the Aluminum Storage Drawer onto the top of the brackets.
- F. Separate the drawer from the cabinet by using the release buttons located on both sides of the slides.
- G. With interior access to the cabinet insert the 3X167 carriage bolts into the 6 corresponding holes located in the bottom surface of the cabinet. Align these bolts with the holes in both mounting brackets and secure using the supplied 3X16 whiz nuts.
- H. Install the drawer back into the cabinet, ensure all fasteners are tight and that the drawer is securely fastened.

VI. Installation Complete

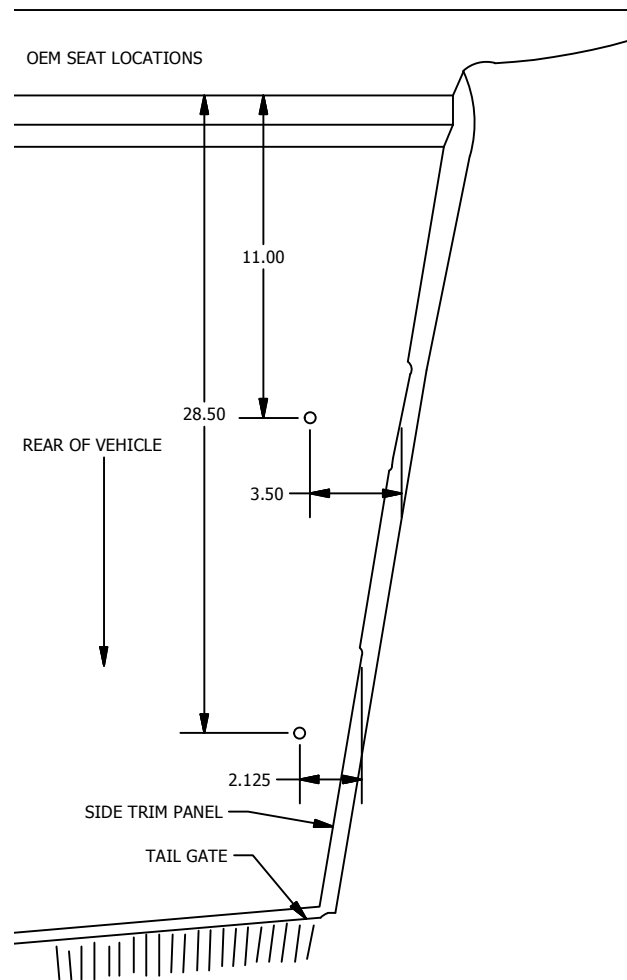
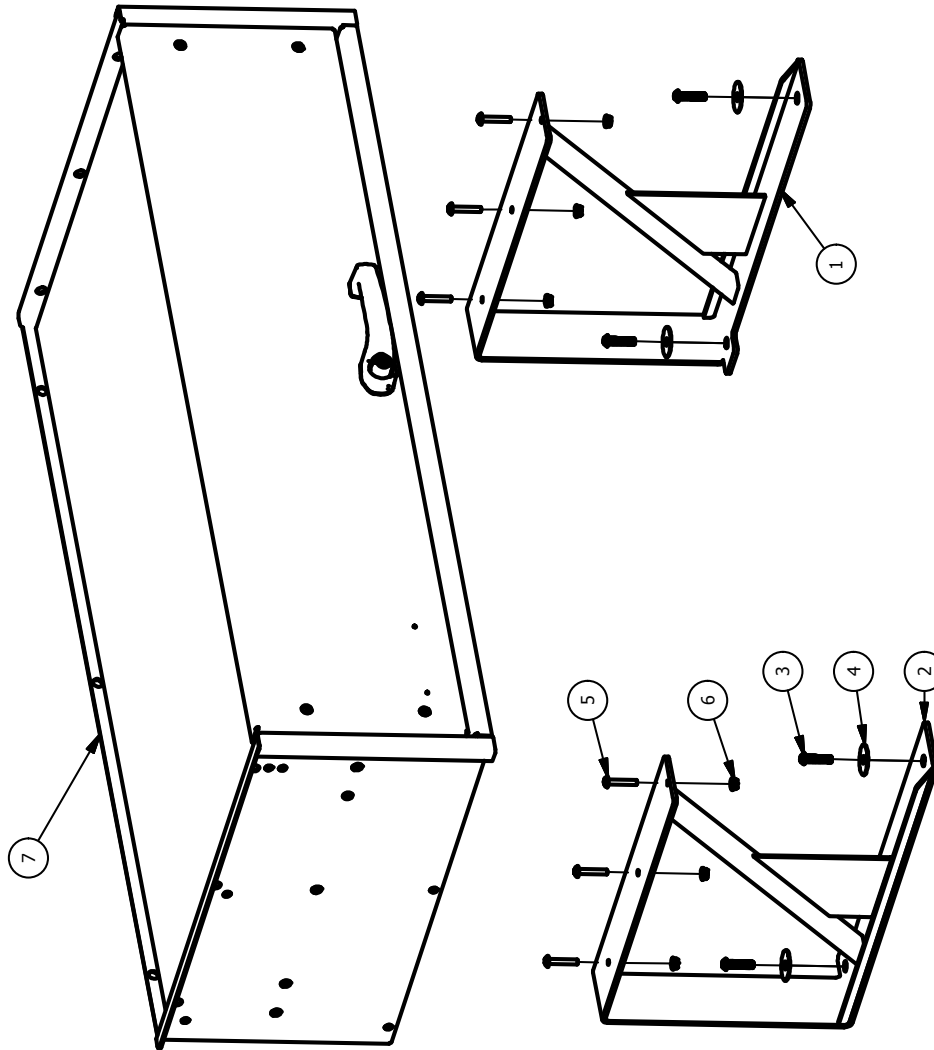


figure. 1

ALUMINUM STORAGE DRAWER



PARTS LIST			
ITEM	QTY	PART NUMBER	DESCRIPTION
1	1	3WSD5715-02P	WEAPON STORAGE DRAWER MOUNTING BRACKET
2	1	3WSD5715-02D	WEAPON STORAGE DRAWER MOUNTING BRACKET
3	4	3X222	M8 X 1.25 BUTTON HEAD CAP SCREW
4	4	3X224	3/8 x 1 1/2 Washer
5	6	3X167	1/4-20 x 1.5" Carriage Bolt
6	6	3X16	1/4-20 WHIZ NUT
7	1	3ASBD57T15	Aluminum Storage Drawer

WEAPON STORAGE DRAWER

Parts List		
ITEM	QTY	PART NUMBER DESCRIPTION
1	1	3WSD5715-02P WEAPON STORAGE DRAWER MOUNTING BRACKET
2	1	3WSD5715-02D WEAPON STORAGE DRAWER MOUNTING BRACKET
3	1	3WSD5715-01 WEAPON STORAGE DRAWER
4	4	3X222 M8 X 1.25 BUTTON HEAD CAP SCREW
5	4	3X224 3/8 x 1 1/2 Washer
6	6	3X167 1/4-20 x 1.5" Carriage Bolt
7	6	3X16 1/4-20 WHIZ NUT

