

INSTALLATION GUIDE

WBP56NPC11

**POLYCARBONATE WINDOW
BARRIER**

11 - CURRENT

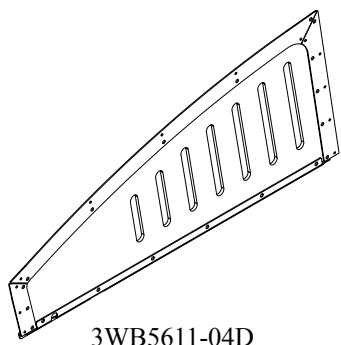
DODGE CHARGER

Pro-gard[™]
PRODUCTS LLC.

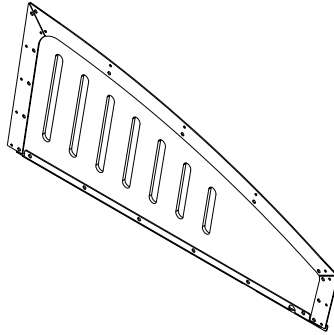
STRONG | RELIABLE | SECURE

**pro-gard.com
800.480.6680**

THESE COMPONENTS ARE REQUIRED
TO INSTALL THE PRO-GARD WINDOW ARMOR SYSTEM



3WB5611-04D



3WB5611-04P



HARDWARE KIT

WINDOW ARMOR ASSEMBLIES

THIS WINDOW BARRIER IS ONLY USED WITH THE OEM DOOR PANEL.

- I. Refer to the diagrams above to verify all parts were received.
- II. The following tools will be required to complete the installation.
 1. Drill with standard #2 Philips driver
 2. Drill bit 7/64" diameter
- III. Window Armor Installation
 1. From the inside of the door place the Barrier into the corresponding window opening with the lower flange resting on the top of the OEM Door Panel. Insure that the rear flange is installed behind the OEM Door Panel and between the rubber window seal (See Fig. 1).
 2. Center the outside of the metal mounting frame on the door front to back.
 3. Install the lower screws at each side first then work up each side installing the rest of the screws. The supplied screws (3X72) are a Type A-self tapping but sometimes it is necessary to drill a 7/64" pilot hole.

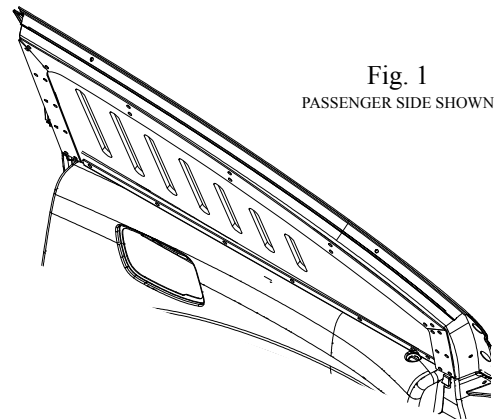


Fig. 1
PASSENGER SIDE SHOWN

- IV. Installation is now complete.