

INSTALLATION GUIDE

WB81NPFT16

OEM STEEL WINDOW BARS

2016 - CURRENT

FORD F-150 4- DOOR

Pro-gard[™]
PRODUCTS LLC.

STRONG | RELIABLE | SECURE

pro-gard.com
800.480.6680

THESE COMPONENTS ARE REQUIRED
TO INSTALL THE WINDOW ARMOR



I. The following tools will be required to complete the installation.

- A. Philip head screw driver
- B. 3/32" Drill bit

II. Window bar installation instructions.

- A. Open the passenger and driver side rear doors. Roll down both rear window for the installation.
- B. Put the window bars in place and use the door lock to locate window bars. To seat the window bars use both hands to grip and clamp the trim so that the tabs on the window bars go into the window track area. (See fig. 1)

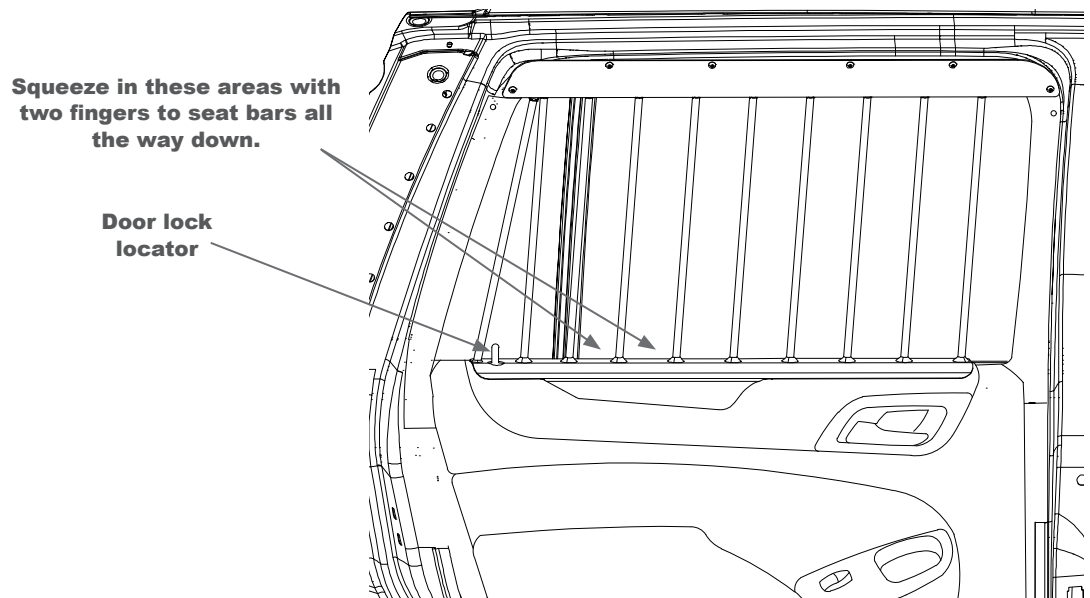


Fig. 1

Mark holes locations and
drill pilot holes to secure
with screws

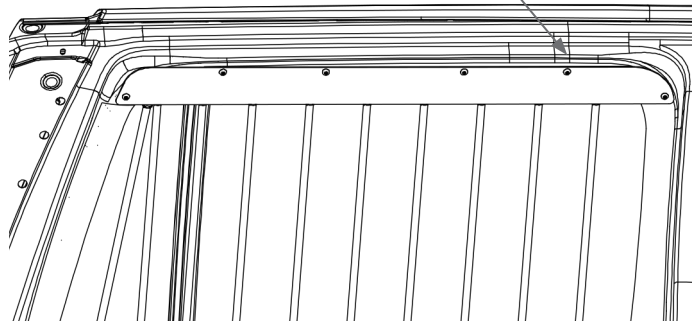


Fig. 2

C. Once the window bars are seated all the way down than use a marker to mark the center points of the screw holes in the upper frame.

D. Use a 3/32 drill bit to drill out the pilot holes for the metal screws. Use the philips head screw driver to install all securing fasteners to the vehicle. At this point the holes and and screw can be installed in the window trim to secure to vehicle. (As shown in fig. 2)

E. Check installation of window bars and roll up the window to ensure no problems occur with the installation. Please review instructions if there are issues with the installation.

PARTS LIST			
ITEM	QTY	PART NUMBER	DESCRIPTION
1	1	3WB81NP16-D	OEM WINDOW BARS, DRIVER
2	1	3WB81NP16-P	OEM WINDOW BARS, PASSENGER

KIT LIST			
ITEM	QTY	PART NUMBER	DESCRIPTION
3	12	3X72	8-32 X 5/8 PHIL PAN HD MS

