

**INSTALLATION GUIDE**  
**OEM STEEL WINDOW BARS**  
**2016 - CURRENT**  
**RAM 1500**

**Pro-gard**<sup>™</sup>  
PRODUCTS LLC.

STRONG | RELIABLE | SECURE

**pro-gard.com**  
**800.480.6680**

THESE COMPONENTS ARE REQUIRED  
TO INSTALL THE WINDOW ARMOR



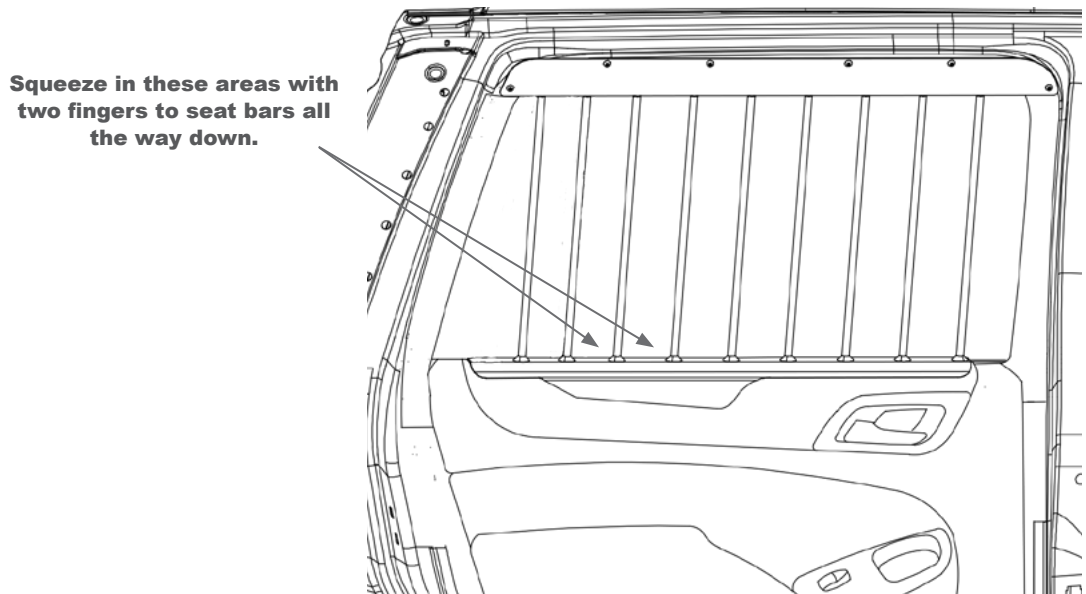
WB59NPRT16

**I. The following tools will be required to complete the installation.**

- A. Philip head screw driver
- B. 3/32" Drill bit

**II. Window bar installation instructions.**

- A. Open the passenger and driver side rear doors. Roll down both rear windows for the installation.
- B. Put the window bars in place and match the top of the assembly to the upper area of the window frame. To seat the window bars, use both hands to squeeze the door panel so that the lower tabs on the window bars press down into the window track more easily. (See fig. 1)



**Fig. 1**

- C. Once the window bars are in location, use a marker to mark the trim at the rear section of the window. Remove and pull out the window bars, then remove and cut the trim where you marked. (See fig. 2)
- D. Re-install the trim on the rear side of the window, and discard the upper part of the trim that was cut away. (See fig. 2)

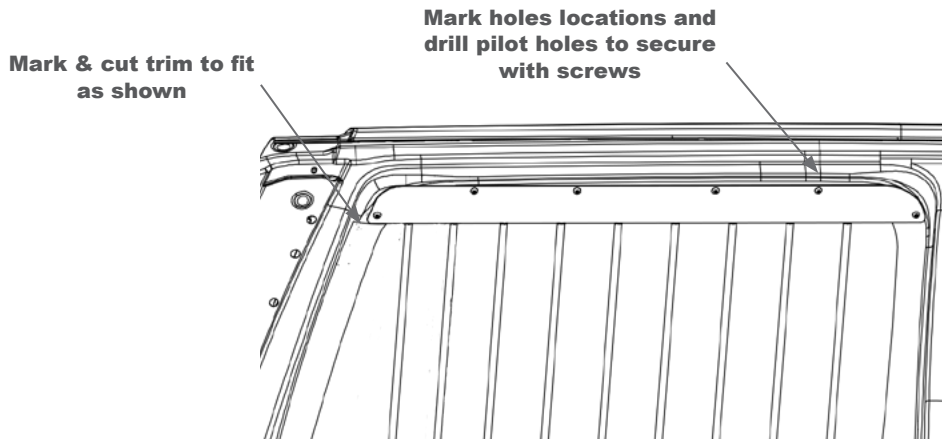


Fig. 2

E. Once the window trim is re-installed then the window bars can be installed and secured to the vehicle.

F. Use a 3/32 drill bit to drill out the pilot holes for the metal screws. Use the philips head screw driver to install all securing fasteners to the vehicle. (As shown in fig. 2)

G. Check installation of window bars and roll up the window to ensure no problems occur with the installation. Please review instructions if there are issues with the installation.

## Installation complete!

If you have any problems with this installation than call the toll free number (800-480-6680) and ask for technical assistance.

PARTS LIST			
ITEM	QTY	PART NUMBER	DESCRIPTION
1	1	WB59NP16-P	PASSENGER SIDE OEM WINDOW BARS
2	1	WB59NP16-D	DRIVER SIDE OEM WINDOW BARS
3	12	3X72	8-32 X 5/8 PHIL PAN HD MS

