

INSTALLATION GUIDE

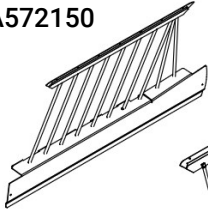
**2021 - CURRENT
CHEVROLET TAHOE
STEEL WINDOW ARMOR WITH ABS DOOR PANEL
WB57T21 / DP57T21**

Pro-gardTM
PRODUCTS LLC.

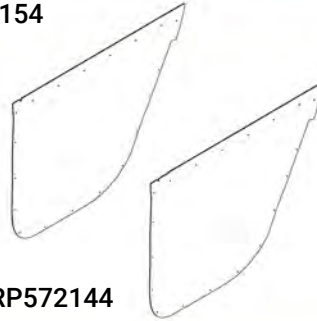
STRONG. RELIABLE. SECURE.

**THESE COMPONENTS ARE REQUIRED
TO INSTALL THE REAR WINDOW ARMOR WITH DOOR PANEL**

3RWA572150

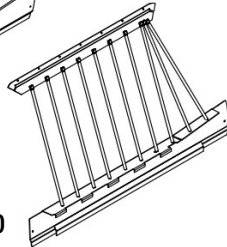


3DRP572154



3DRP572100

3RWA572140



3DRP572144



4RWK572100

I. The following tools will be required to complete the installation

A. #2 Phillips driver

B. 7/64" Drill bit

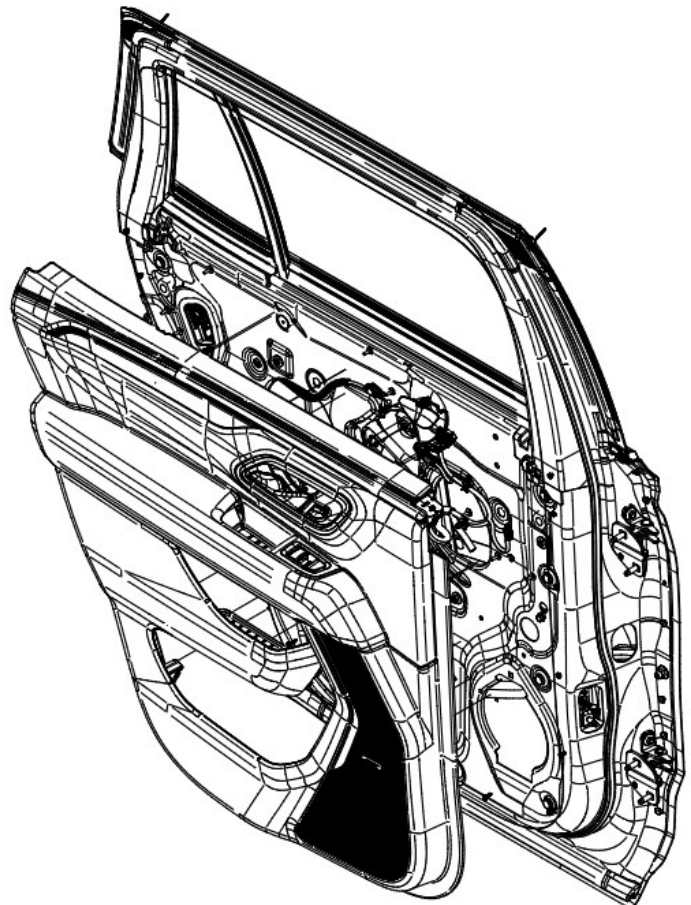
C. 3/32" Hex bit

II. Read all instructions and refer to the last page to ensure all parts were received

WARNING: *Locate all wiring, fuel lines, brake lines, coolant lines, and refrigerant lines before drilling any holes or installing any self-drilling fasteners.*

III. OEM Door Panel Removal

- A. Open passenger and driver rear doors and roll down both windows.
- B. Choose a side and remove the OEM door panel. (Fig. 1)
- C. Remove the speaker from the door.
- D. Secure wiring harnesses and associated plugs by tape, cable tie and insert into door shell where possible.
- E. Remove power window switch from door panel and re-connect it to vehicle wiring harness. Protect it from moisture and secure inside the door frame away from window travel.
- F. Secure door latch cable to prevent rattle.
- G. Repeat for the opposite side.



IV. Window Armor and Door Panel Assembly

- A. Assemble Window Bar [3RWA572140] to Door Panel [3DRP572144] using the Door Panel Nut Plate [3RWA572122] and (6) #8 screws [3X292]. (Fig. 2)
- B. Repeat for the opposite side using Window Bar [3RWA572150], Door Panel [3DRP572154], the second Nut Plate [3RWA572122] and the remaining (6) #8 screws [3X292].

Fig. 1

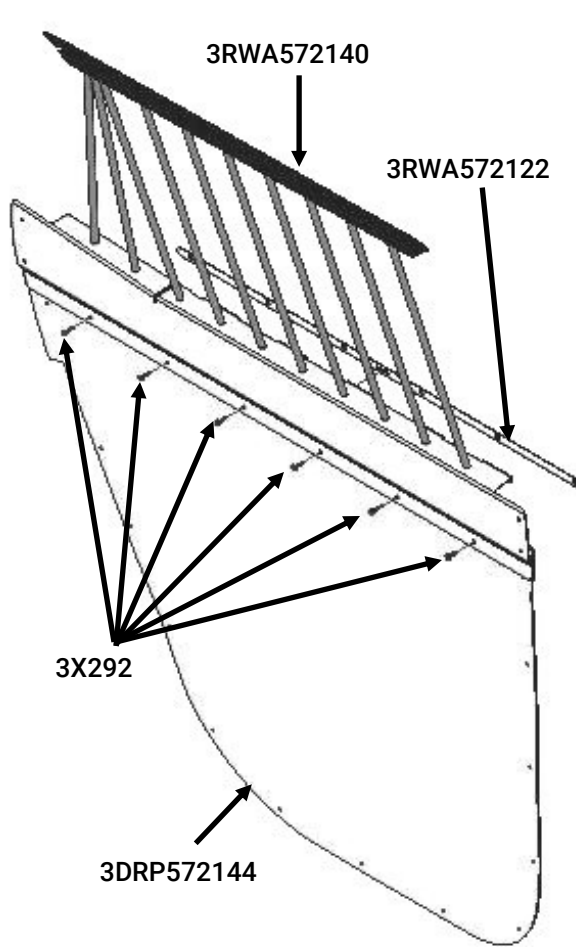


Fig. 2

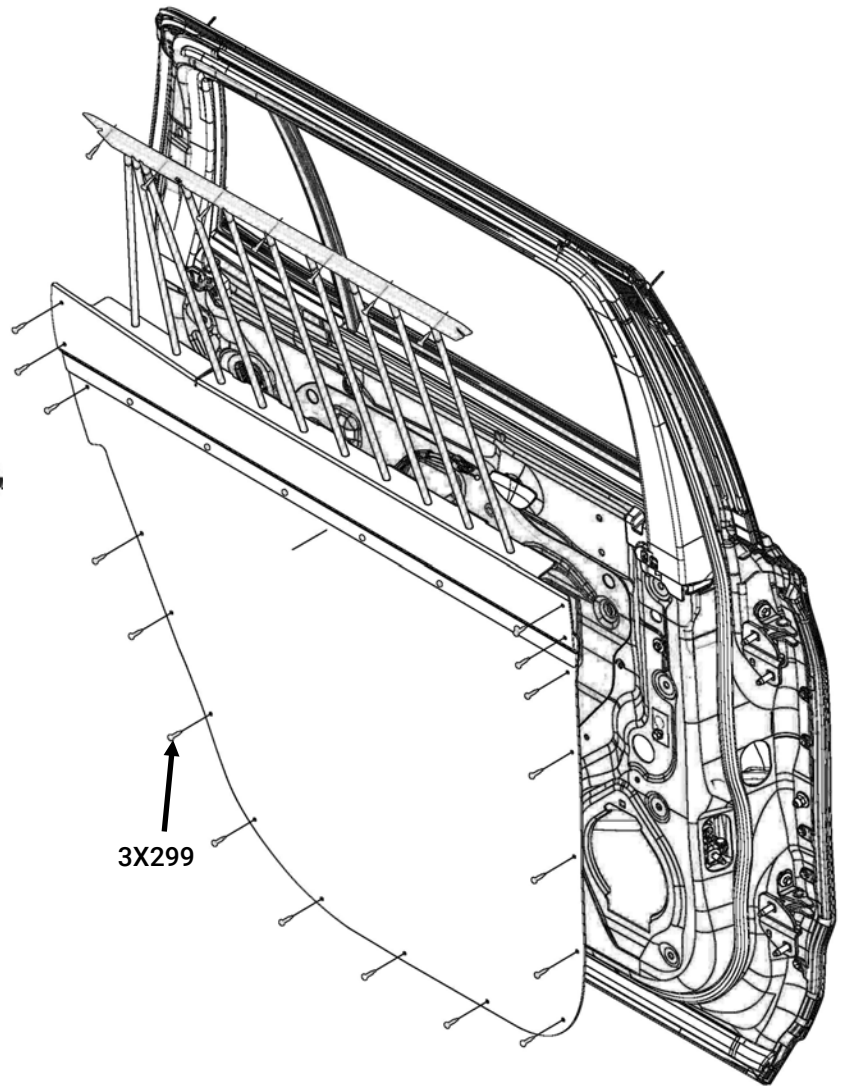


Fig. 3

V. Armor and Door Panel Installation

- A. Raise the window armor and door panel assembly above the vehicle door and insert the lower frame flanges into the window track. (Fig. 3)
- B. Press the flanges into the door track and center the assembly on the door.
- C. Align the upper bracket of the frame to the vehicle window trim.
- D. Ensure the door panel is aligned with the door.
- E. Once fitted satisfactorily, drive (7) self-drilling screws [3X299] into the upper door. (Fig. 3)
- F. Drive (4) more screws [3X299] through the lower bracket into the door.
- G. Drive the remaining (13) screws [3X299] into the door panel and door. If necessary, drill a 7/64" pilot hole.
- H. Repeat for the opposite side.

Installation complete

If you have any problems with this installation or have any questions please call (800-480-6680) and ask for technical assistance.

PARTS LIST		
ITEM	QTY	DESCRIPTION
1	1	DOOR PANEL HARDWARE KIT
2	1	DOOR PANEL TAHOE 21 D/S
3	1	DOOR PANEL TAHOE 21 P/S
4	1	WINDOW BARS TAH ABS DRIVER SIDE
5	1	WINDOW BARS TAH ABS PASSENGER SIDE
6	1	HARDWARE KIT WINDOW BAR STEEL ABS TAH 21

