

INSTALLATION GUIDE
WB57NPT15
OEM STEEL WINDOW BARS
2015 - CURRENT TAHOE

Pro-gard[™]
PRODUCTS LLC.

STRONG | RELIABLE | SECURE

pro-gard.com
800.480.6680

THESE COMPONENTS ARE REQUIRED
TO INSTALL THE PARTITION



WB57NPT15

I. The following tools will be required to complete the installation.

- A. Philip head screw driver
- B. 3/32" Drill bit

II. Window bar installation instructions.

- A. Open the passenger and driver side rear doors. Roll down both rear window for the installation.
- B. Put the window bars in place and use the door lock to locate window bars. To seat the window bars use both hands to grip and clamp the trim so that the tabs on the window bars go into the window track area. (See fig. 1)

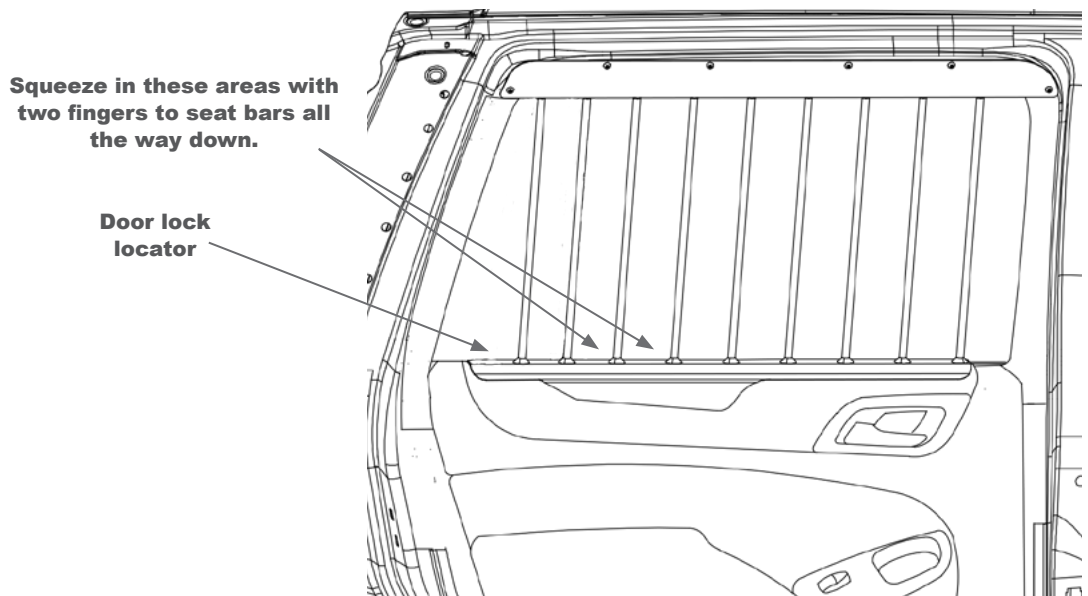


Fig. 1

- C. Once the window bars are in location than use a marker to mark the trim around the window, remove and pull out the window bars, and remove and cut the trim where you marked. (See fig. 2)
- D. Re-install the black trim on the sides of the window and discard the upper part of the trim that was cut away. (See fig. 2)

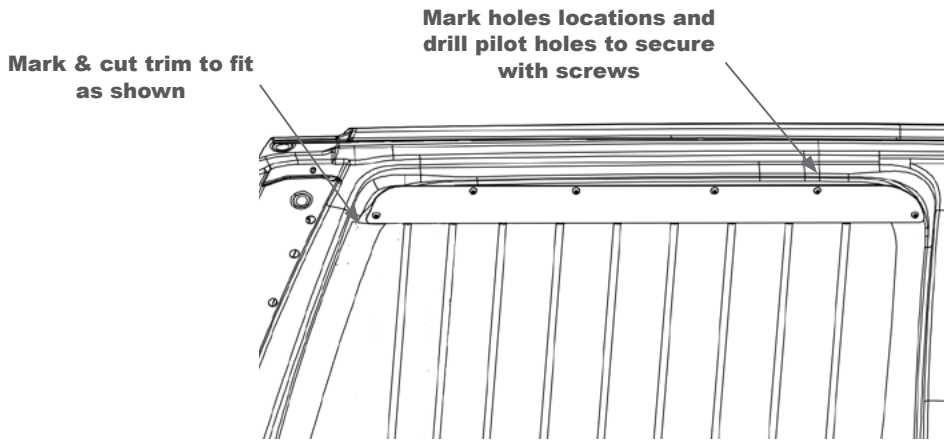


Fig. 2

E. Once the window trim is re-installed then the window bars can be install and secured to the vehicle. Re-install the window bars and use the door lock to locate the position. Once the window bars are seated all the way down than use a marker to mark the center points of the screw holes in the upper frame.

F. Use a 3/32 drill bit to drill out the pilot holes for the metal screws. Use the philips head screw driver to install all securing fasteners to the vehicle. At this point the holes and and screw can be installed in the window trim to secure to vehicle. (As shown in fig. 2)

G. Check installation of window bars and roll up the window to ensure no problems occur with the installation. Please review instructions if there are issues with the installation.

Installation complete!

If you have any problems with this installation than call the toll free number (800-480-6680) and ask for technical assistance.

PARTS LIST			
ITEM	QTY	PART NUMBER	DESCRIPTION
1	1	3WB57NP15-P	PASSENGER SIDE OEM WINDOW BARS
2	1	3WB57NP15-D	DRIVER SIDE OEM WINDOW BARS

KIT LIST			
ITEM	QTY	PART NUMBER	DESCRIPTION
3	14	3X72	8-32 X 5/8 PHIL PAN HD MS

