

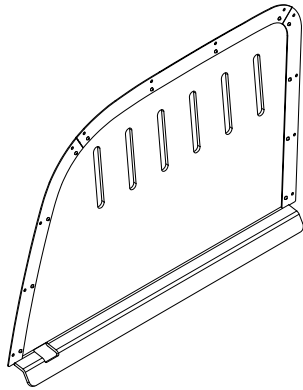
**INSTALLATION GUIDE**  
WB57NPS07  
POLYCARBONATE WINDOW  
ARMOR  
07-CURRENT SUBURBAN/  
YUKON XL

**Pro-gard**<sup>™</sup>  
PRODUCTS LLC.

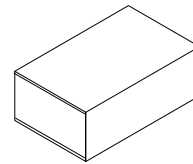
STRONG | RELIABLE | SECURE

**pro-gard.com**  
**800.480.6680**

THESE COMPONENTS ARE REQUIRED  
TO INSTALL THE PRO-GARD POLYCARBONATE WINDOW ARMOR



POLYCARBONATE WINDOW ARMOR ASSEMBLY



SCREW KIT

THIS WINDOW ARMOR IS ONLY USED WITH THE OEM DOOR PANEL.

- I. Refer to the diagrams above to verify all parts were received.
- II. The following tools will be required to complete the installation.
  1. Drill with standard #2 Philips driver
  2. Drill bit 7/64" diameter
- III. Window Armor Installation
  1. The pre-assembled Window Armor Assembly will have the metal window frame and weatherstripping attached and ready for installation. Check the weatherstripping to be sure it is in good condition, especially along the top of the window frame.
  2. From the inside of the door place the Armor into the corresponding window opening with the lower flange resting on the top of the OEM Door Panel.
  3. Center the outside of the metal mounting frame on the door front to back.
  4. Install the lower screws at each side first then work up each side installing the rest of the screws. The supplied screws are a Type A-self tapping but sometimes it is necessary to drill a 7/64" pilot hole.
- IV. Installation is now complete.