

**PB52I06**  
**INSTALLATION INSTRUCTIONS**  
**2006-2009 CHEVY IMPALA**  
**PUSH BUMPER**



- **BE SURE TO CAREFULLY REVIEW ALL INSTRUCTIONS BEFORE INSTALLATION.**
- **BEFORE DRILLING HOLES OR INSTALLING FASTENERS INTO THE VEHICLE, BE SURE TO LOCATE ALL BRAKE, OIL AND FUEL LINES, ELECTRICAL WIRING AND ANY OTHER COMPONENTS THAT MAY BE DAMAGED AS A RESULT.**
- **THIS PUSH BUMPER IS TO BE USED ON THE 2006-2009 CHEVY IMPALA POLICE EDITION ONLY.**

NOTE: Carefully review the parts drawing. If there are any missing parts, please call “Customer Service” at (317)-579-6680 or circle the missing part on the parts drawing and fax to (317) 579-6681.

**Suggested tools:**

- Phillips screwdriver
- Standard screwdriver
- Fastener removal tool
- 9/16” wrench
- ¾” wrench
- 9/16” socket/ratchet
- ¾” socket/ratchet

Refer to the drawing on the last page for part identification.

**I. Disassembly required**

- A. Remove the upper plastic dust cover at the front of the radiator support near the hood latch assembly.
- B. Remove the upper and lower grille.

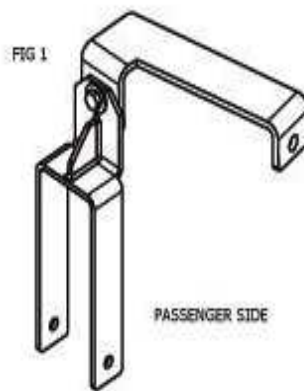
**II. Install Impact Beam clamp brackets (Part # 3E5201)**

- A. Locate the impact beam and the black plastic trim behind the front fascia. There are two semi circular indentations in the black plastic about a foot each side of center where the Impact Beam Brackets install.

- B. Start with the passenger side. With the top flange turned inward and angled toward the center of the car, push the bracket down so it saddles over the impact beam and inside the black plastic. The bracket will come through the notch at the bottom of the black plastic when properly seated.
- C. Repeat this procedure for the driver's side.

### III. Install Top Mounting Brackets (Part # 3E5203P and 3E5203D)

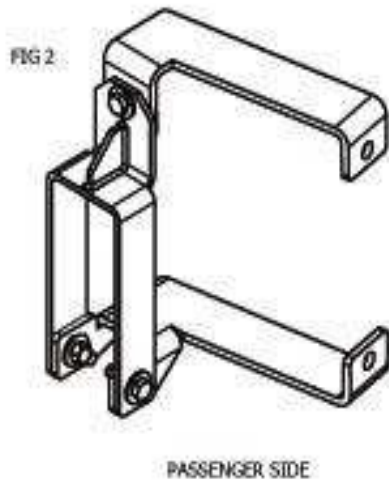
- A. Install the driver's side top mounting bracket using a 3/8-16 x 1 bolt, nut and lock washer. Secure bolt finger tight to hold the bracket in place. See fig. 1



- B. Repeat this procedure for the passenger side.
- C. Place a level across the top of the Brackets. Once aligned tighten all fasteners.

### IV. Install Bottom Mounting Brackets (Part # 3E5202P and 3E5202D)

- A. Install the passenger's side Bottom Mounting Bracket using a 3/8-16 x 1 bolt, nut and lock washer. Install the rear bolt first and finger tighten to hold bracket in place while installing front bolt. Tip: Access to front bolt can be gained from underneath the vehicle by reaching through cavity in lower air dam. See fig. 2



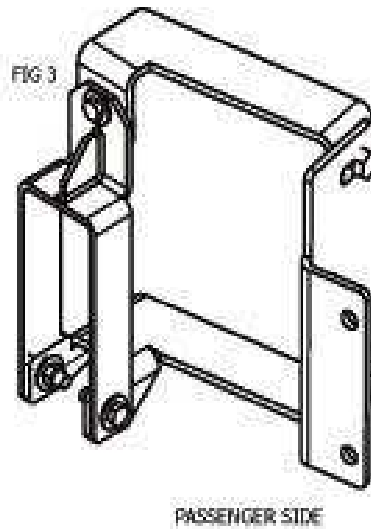
- B. Repeat procedure for the driver's side. Place a small level on top of brackets once leveled **tighten all fasteners**.

V. **Reinstall the upper and lower grille**

- A. Select the proper slots in the lower grille that will align with the Bottom Mounting Brackets when reinstalled. With the back of the grille facing down, slip the grille down over the up-turned end of the brackets and rotate at the bend in the bracket. Slide the grille back on the brackets and into the fascia.
- B. The upper grille will need to be altered, slightly. Cut out the vertical webs in the bottom outside slots of the upper grille. Once trimming is completed, reinstall the grille by sliding it up and over the Top Mounting Brackets and back into the fascia similar to the lower grille.
- C. Secure the grille sections with the O.E.M. fasteners.

VI. **Install Angle Brackets (Part# 3E5204P and 3E5204D)**

- A. Install Angle Brackets, with the short legs outward and down, using 1/2-13 x 1 bolts, nuts and lock washers. Tighten fasteners finger tight only. Repeat procedure on passenger's side. See Fig. 3



**VII. Install Push Bumper Front Section (Part # 3E1106)**

- A. Assemble Push Bumper Front Section (packaged separately) per instructions.

**Note: This is a direct mount and does not require the large angle mounting brackets shipped with the front section.**

- B. Once assembled, place uprights of the Front Section around the outside of the angle brackets and attach with four ½-13 x 1 bolts, nuts and lock washers supplied with the front section.

- C. Tighten all fasteners.

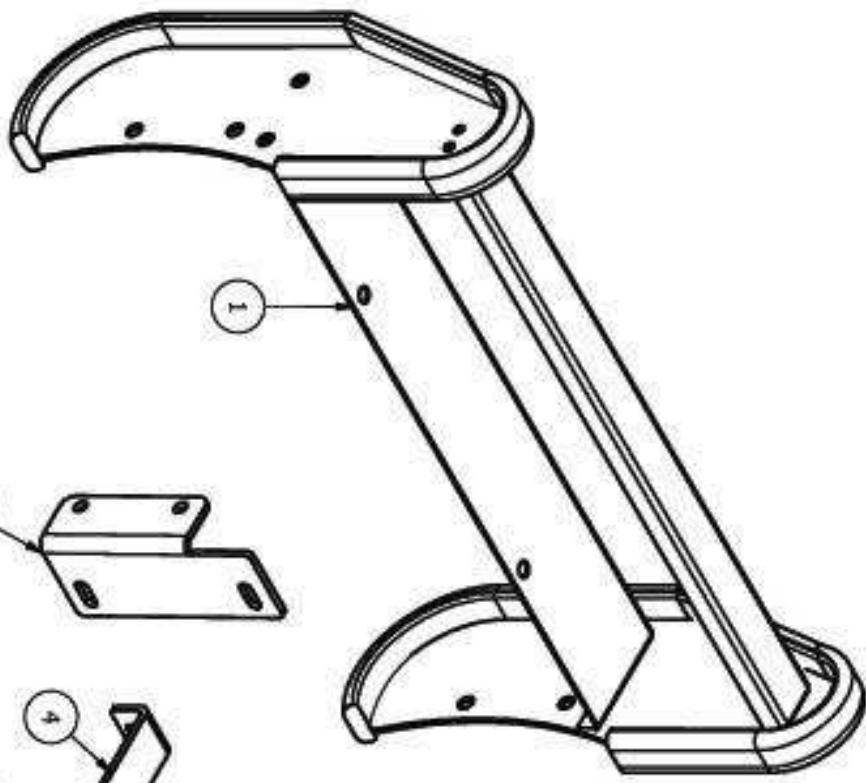
**VIII. Replace the upper plastic dust cover and fasteners.  
Installation is now complete.**

**IF THERE ARE ANY PROBLEMS OR CONCERNS PLEASE CONTACT:**

**PRO-GARD PRODUCT, LLC**

Phone: 317-579-6680

Fax: 317-579-6681



PARTS LIST

ITEM	DESCRIPTION	PART #	QTY.
1	PUSH BUMPER	3E1101	1
2	ANGLE BRACKET, DRIVER	3E5207D	1
3	ANGLE BRACKET, PASSENGER	3E5207P	1
4	TOP MOUNT, DRIVER	3E5203D	1
5	TOP MOUNT, PASSENGER	3E5203P	1
6	BOTTOM MOUNT, DRIVER	3E5204D	1
7	BOTTOM MOUNT, PASSENGER	3E5204P	1
8	IMPACT BEAM BRACKETS	3E5201	2

