

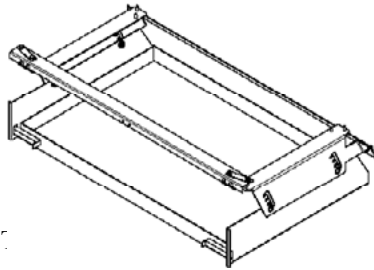
INSTALLATION GUIDE
TRUNK TRAY
'11 CHARGER

Pro-gard[™]
PRODUCTS LLC.

STRONG | RELIABLE | SECURE

pro-gard.com
800.480.6680

THESE COMPONENTS ARE REQUIRED
TO INSTALL THE PRO-GARD TRUNK TRAY SYSTEM

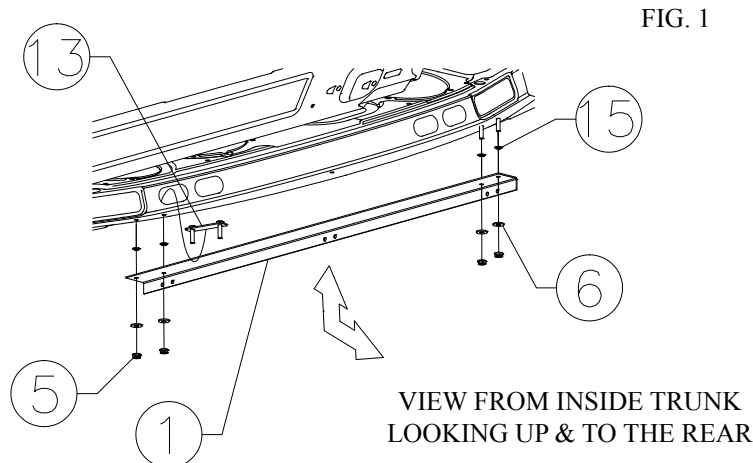


- I. Refer to the diagram on the last page of these instructions to verify all parts were received.
- II. The following tools will be required to complete the installation.

- Electric Drill
- 3/8" socket w/ adapter for drill
- #2 Phillips Screwdriver
- 7/16" socket with 3/8" drive and handle
- 3/16" Allen wrench
- 1/2" open/box end wrench

III. Rear Support Assembly

- A. Drop down upper trunk liner to expose access holes under the rear deck (Fig. 1).
- B. Install "U" bolts (13) as shown through the access holes and down into OEM holes. Secure in place with pushnuts (15).



- C. Replace upper trunk liner. The "U" bolts will protrude through the liner.
- D. Install the rear support as shown with four 1/4" flat washers (6) and four 1/4-20 whiz nuts (5).

IV. Mounting Bracket Assembly

A. Remove rear seat back. (Note: If installing trunk tray in vehicle with Pro-gard transport seat, trunk tray must be installed before seat).

B. Install driver side mounting bracket (7) with two 1/4-20 x 5/8" Phillips Truss head screws (14), two 1/4" flat washers (6) and two 1/4-20 whiz nuts (5) (Fig. 2a).

C. Insure that mounting bracket is perpendicular to rear support and install two 1/4" x 3/4" self drilling screws (4) (Fig. 2a).

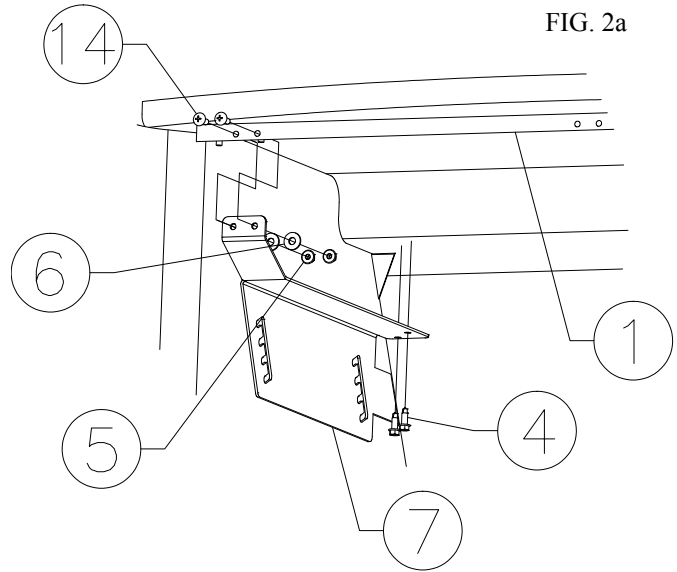
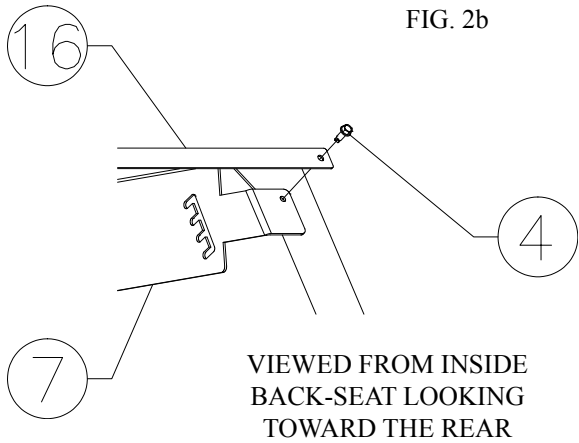


FIG. 2b



VIEWED FROM INSIDE
BACK-SEAT LOOKING
TOWARD THE REAR

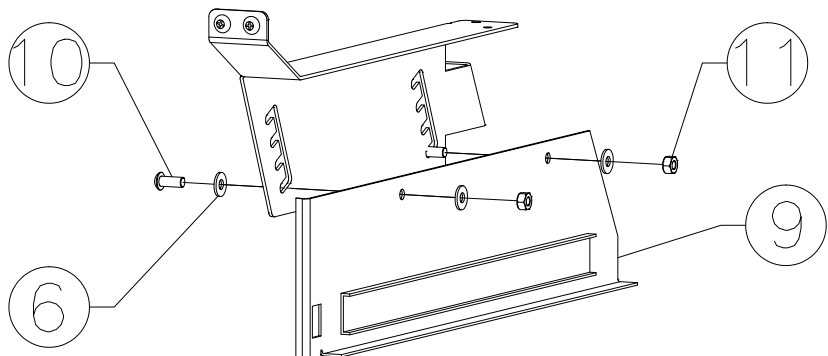
D. Place spreader bar (16) in place and screw one 1/4" x 3/4" self drilling screw (4) into flange as shown in Fig. 2b.

E. Repeat steps A - D for passenger side using spreader bar (16) to determine spacing of the mounting brackets at the back of the trunk tray.

FIG. 3

V. Installing the Side Rails

A. Using the 5/16-18 x 3/4" BSHCS (10), 1/4" flat washer (6) & 5/16-18 nut (11), mount the side rails and adjust to the desired height.



VI. Trunk Tray

A. Slide trunk tray into tracks on side rails and push in until tray latches lock. Tray can be installed either with the sides up to form a tray or with the sides down to form a shelf.

FIG. 4

PARTS LIST			
ITEM	QTY	PART NUMBER	DESCRIPTION
1	1	3TT5611-02	REAR SUPPORT
2	1	3TT5611-01P	MOUNTING BRACKET PASS.
3	1	TRUNK_TRAY	
4	6	3X16Z	1/4x3/4 SELF DRILLING SCREW
5	8	3X16Z	1/4-20 WHIZ NUT
6	16	3X12	1/4 FLAT WASHER, BLACK
7	1	3TT5611-01D	MOUNTING BRACKET DRV
8	1	3TT5611-RH	TRAY HANGER PASS.
9	1	3TT5611-LH	TRAY HANGER DRV.
10	4	3X149	5/16-18 X 3/4 BSHCS, BK
11	4	3X55	5/16-18 NUT, Zn
			SKIPPED
13	2	3TT5611-03	"U" BOLT
14	4	3X03	1/4-20 X 5/8 PHIL TRUSS HD
15	4	3X209	PUSHNUT BOLT RETAINER, 1/4"
16	1	3TT5611-04	SPREADER BAR

