

INSTALLATION GUIDE

TT53FC11

TRUNK TRAY

2011-CURRENT

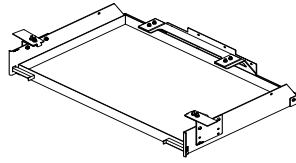
CHEVY CAPRICE

Pro-gard[™]
PRODUCTS LLC.

STRONG | RELIABLE | SECURE

pro-gard.com
800.480.6680

THESE COMPONENTS ARE REQUIRED
TO INSTALL THE PRO-GARD TRUNK TRAY SYSTEM



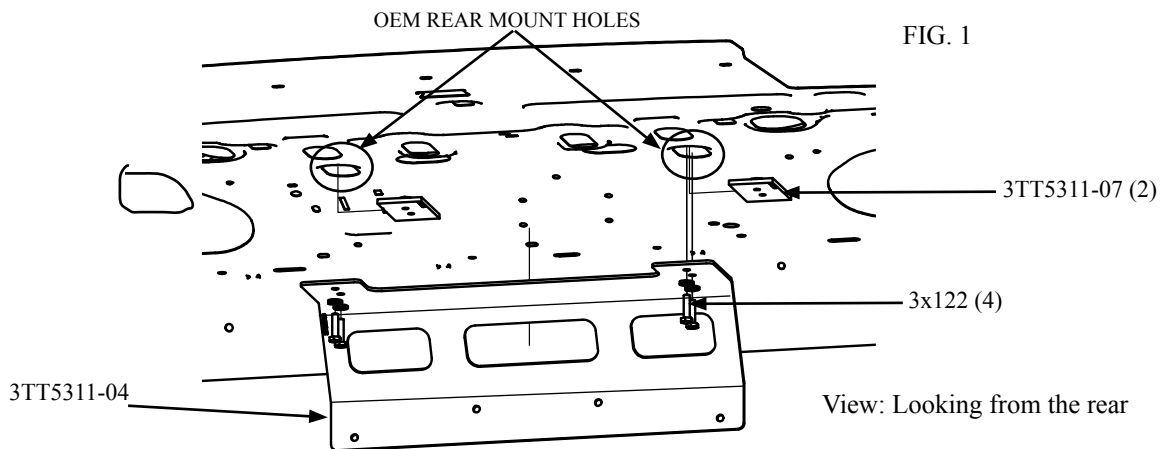
TT53C11

- I. Refer to the diagram on the last page of these instructions to verify all parts were received.
- II. The following tools will be required to complete the installation.

- Electric Drill
 - #2 Phillips Screwdriver bit for drill
 - #2 Phillips Screwdriver
 - 7/16" socket with 3/8" drive and handle

III. Rear Support Assembly

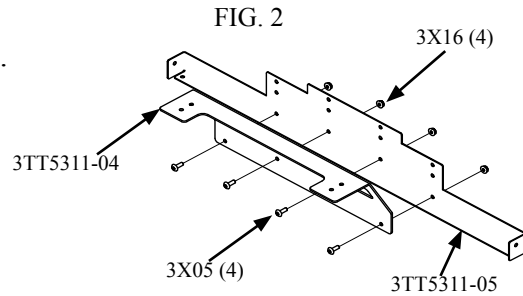
- A. Install "3TT5311-06" rear mounting tabs into the factory access holes (the closest to the back of the seat) and center the rear mounting tabs within the access opening.



- B. Install "3TT5311-04" rear mounting bracket to the rear mounting tabs as shown in FIG. 1 with four 1/4" split lock washers and four 1/4 - 20 x 1" (3x122) bolts to the rear mounting tabs.
 - C. Install "3TT5311-05" rear lower bracket to the "3TT5311-04" rear mounting bracket as shown in FIG 2.

D. Attach the parts with four 1/4-20 X 3/4 (3X05) phillip screws and four 1/4-20 whiz nuts (3X16).

Note: The rear lower bracket is adjustable as shown in FIG. 2 with a one, two or three inch drop.

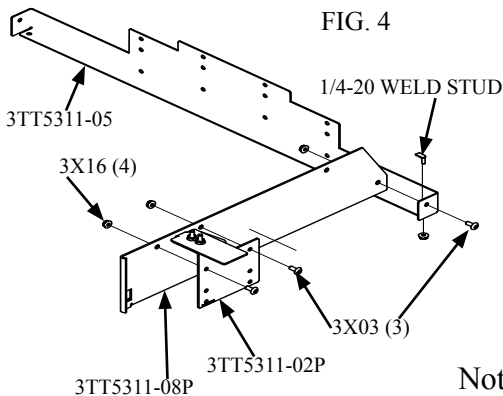
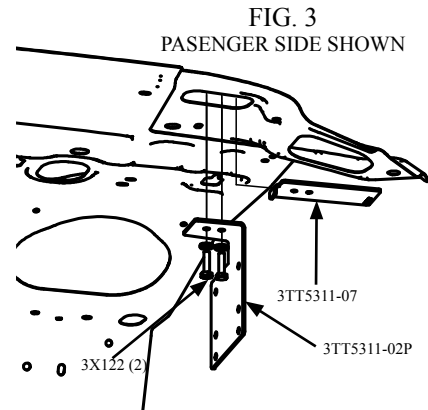


IV. Front & Side Support Assembly

A. Install “3TT5311-07” front mounting tabs into the factory access holes and face the tab downward. The tab should be towards the center of the car pushed all the way against the edge of the sheetmetal.

B. Install “3TT5311-02P” passenger side front bracket to the front mounting tabs as shown in FIG. 3. Using two 1/4-20 x 1” (3X122) bolts and two 1/4” split lock washers.

Note: Dont tighten the two bolts (3X122) completely just snug them so you can align the Trunk Tray Side, Pass.



C. Install “3TT5311-08P” Tray Hanger Pass. to the “3TT5311-02P” pass. side front bracket. Using two 1/4-20 X 5/8” (3X03) phillip screws and two 1/4-20 whiz nuts (3X16). The Tray Hanger Pass. will also bolt to the “3TT5311-05” rear lower bracket. Using one 1/4-20 X 5/8” phillip screw (3X03) and one 1/4-20 whiz nut (3X16). Also using a 1/4-20 weld stud and a 1/4-20 whiz nut (3X16).

Note: The pass. side front bracket also has a one, two or three inch drop.

***** Make sure once all the parts are hung then go back and tighten the two 1/4-20 X 1” (3X122) bolts that were left snug for alignment purposes.**

D. Repeat steps A - C for driver side.

V. Trunk Tray

A. Slide trunk tray into tracks on side rails and push in until tray latches lock. Tray can be installed either with the sides up to form a tray or with the sides down to form a shelf.

PARTS LIST

ITEM	QTY	PART NUMBER	DESCRIPTION
1	2	3TT5311-06	REAR MOUNTING TABS
2	2	3TT5311-07	FRONT MOUNTING TABS
3	1	3TT5311-04	REAR MOUNTING BRACKET
4	1	3TT5311-02D	DRIVER SIDE FRONT BRACKET
5	1	3TT5311-02P	PASSENGER SIDE FRONT BRACKET
6	1	3TT5311-05	REAR LOWER BRACKET
7	12	3X16	1/4-20 WHIZ NUT
8	6	3X03	1/4-20 X 5/8 PHIL TRUSS HD MS
9	4	3X05	1/4-20 X 3/4 PHIL TRUSS HD MS
10	8		1/4" Wshr- Split Lock
11	1	3TT5311-08D	TRAY HANGER DRV.
12	1	3TT5311-08P	TRAY HANGER PASS.
13	8	3X122	1/4-20 x 1" HHMS, Zn
14	1	3TT5311	TRUNK TRAY
15	2	1/4 - 20 WELD STUD	1/4 - 20 X 5/8 WELD STUD

