

INSTALLATION GUIDE

TRUNK TRAY

2013-2019 FORD

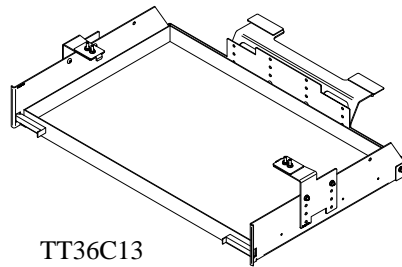
INTERCEPTOR SEDAN

Pro-gard[™]
PRODUCTS LLC.

STRONG | RELIABLE | SECURE

pro-gard.com
800.480.6680

THESE COMPONENTS ARE REQUIRED
TO INSTALL THE PRO-GARD TRUNK TRAY SYSTEM

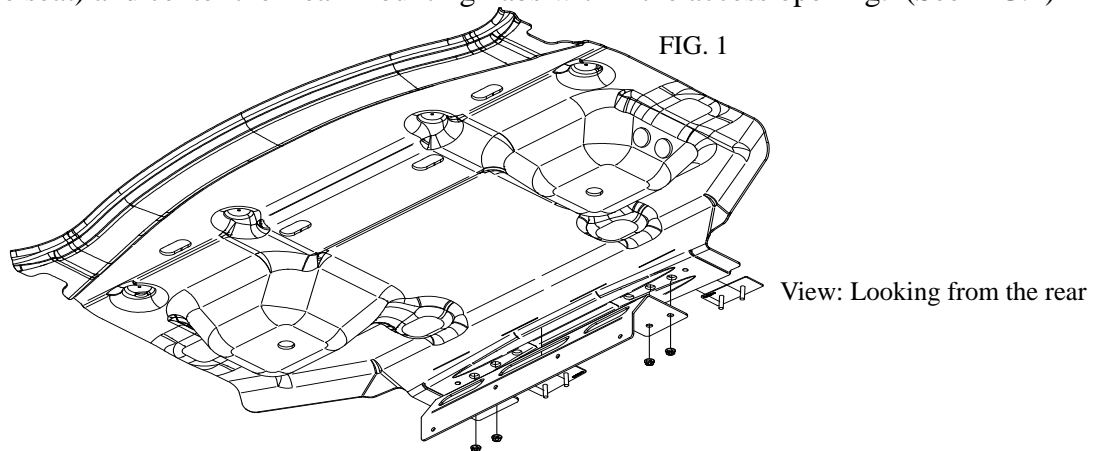


- I. Refer to the diagram on the last page of these instructions to verify all parts were received.
- II. The following tools will be required to complete the installation.

- Electric Drill
 - #2 Phillips Screwdriver bit for drill
 - #2 Phillips Screwdriver
 - 7/16" socket with 3/8" drive and handle

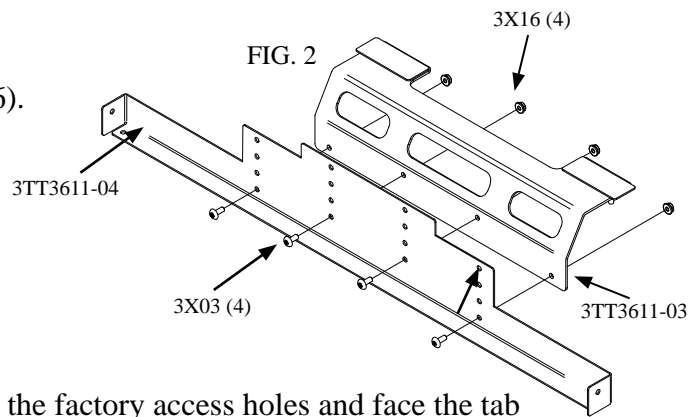
- III. Rear Support Assembly

- A. Remove the top factory carpet that covers the rear package shelf from the trunk.
 - B. Install "3TT3611-06" Rear Mounting Tabs into the factory access holes (the closest to the back of the seat) and center the Rear Mounting Tabs within the access opening. (See FIG.1)



- C. Install "3TT3611-03" Back Mounting Bracket to the Rear Mounting Tabs as shown in FIG. 1 with four 1/4" split lock washers and four 1/4 - 20 whiz nuts (3X16) to the Rear Mounting Tabs.
 - D. Install "3TT3611-04" Back Lower Bracket to the "3TT3611-03" Back Mounting Bracket as shown in FIG 2.

- D. Attach the parts with four 1/4-20 X 5/8 (3X03) phillip screws and four 1/4-20 whiz nuts (3X16).
 Note: The rear lower bracket is adjustable as shown in FIG. 2 with a one, two or three inch drop.

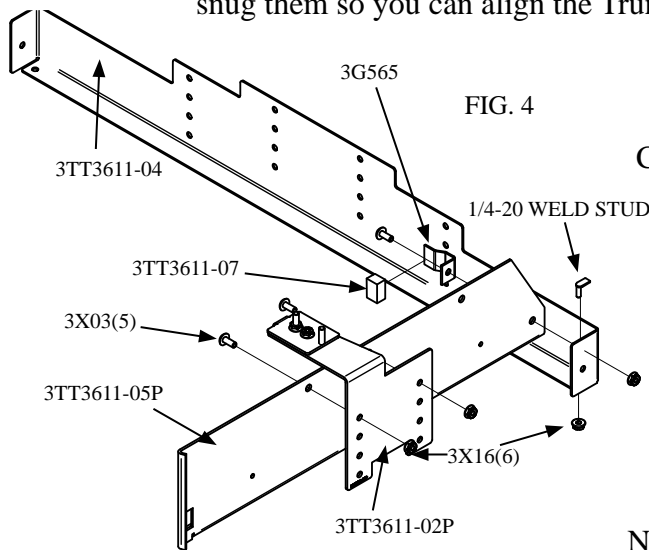
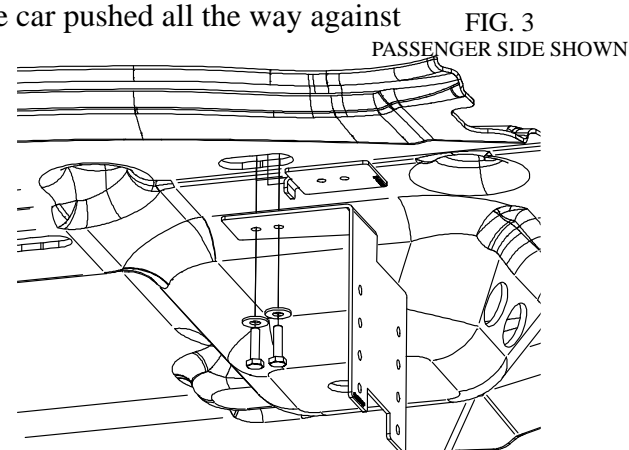


IV. Front & Side Support Assembly

- A. Install “3TT3611-01” Front Mounting Tab into the factory access holes and face the tab downward. The tab should be towards the center of the car pushed all the way against the edge of the sheetmetal.

- B. Install “3TT3611-02P” Front Bracket Pass. to the Front Mounting Tab as shown in FIG. 3. Using two 1/4-20 x 1” (3X122) bolts and two 1/4” split lock washers.

Note: Dont tighten the two bolts (3X122) completely just snug them so you can align the Trunk Tray Side, Pass.



- C. Install “3TT3611-05P” Trunk Tray Side Pass. to the “3TT3611-02P” Front Bracket Pass. Using two 1/4-20 X 5/8” (3X03) phillip screws and two 1/4-20 whiz nuts (3X16). The Trunk Tray Side Pass. will also bolt to the “3TT5311-04” Back Lower Bracket. Using one 1/4-20 X 5/8” phillip screw (3X03) and one 1/4-20 whiz nut (3X16). Also using a 1/4-20 weld stud and a 1/4-20 whiz nut (3X16). (See FIG.4)

Note: The Front Bracket Pass. also has a one, two or three inch drop.

- D. Place (2) weld studs into the holes in the front lip portion of 3TT3611-02P, align the studs with the holes in bracket xx xxx using the supplied 3X16 whiz nuts securely fastnen the bracket to the bottom of 3TT3611-02P. Attach the 3TT3611-07 bracket to the 3TT3611-05P using the 3X16 and 3X03 hardware.

- E. Repeat steps A-D for drivers side.

***** Make sure once all the parts are hung then go back and tighten the two 1/4-20 X 1” (3X122) bolts that were left snug for alignment purposes.**

V. Trunk Tray

- A. Slide trunk tray into tracks on side rails and push in until tray latches lock. Tray can be installed either with the sides up to form a tray or with the sides down to form a shelf.

Installation complete!

If you have any problems with this installation then call the toll free number (800-480-6680) and ask for technical assistance.

PARTS LIST			
ITEM	QTY	PART NUMBER	DESCRIPTION
1	1	3TT3611-03	BACK MOUNTING BRACKET
2	2	3TT3611-06	BACK MOUNTING TAB
3	1	3TT3611-04	BACK LOWER BRACKET
4	1	3TT3611-05D	TRAY HANGER DRV.
5	1	3TT3611-05P	TRAY HANGER PASS.
6	1	3TT3611-02D	FRONT BRACKET DRV. SIDE
7	1	3TT3611-02P	FRONT BRACKET PASS. SIDE
8	24	3X16	1/4-20 WHIZ NUT, BLACK
9	8	3X12	1/4 FLAT WASHER, BLACK
10	10	3X03	1/4-20 X 5/8 PHIL TRUSS HD MS, BLACK
11	6	10-24 weld stud	1/4 - 20 X 5/8 WELD STUD
12	2	3TT3611-01	FRONT MOUNTING TAB
13	4	3X122	1/4-20 x 1" HHMS, Zn
14	1	3TT3611	TRUNK TRAY
15	2	3TT3611-07	SL ANTI-RATTLE BRACKET
16	2	3G565	FOAM PAD, .5 X 1.0 X .625

