

INSTALLATION GUIDE

4PK57SS15

SPACE SAVER PLUS

PARTITION

2015 - CURRENT TAHOE &

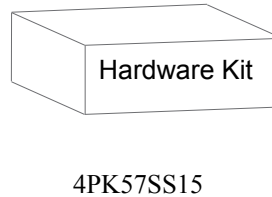
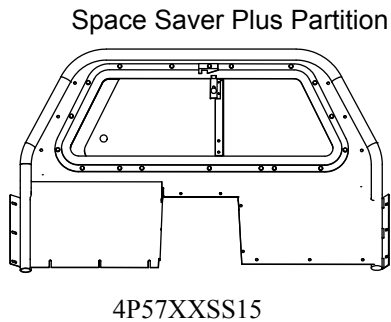
2016 SILVERADO

Pro-gard[™]
PRODUCTS LLC.

STRONG | RELIABLE | SECURE

pro-gard.com
800.480.6680

THESE COMPONENTS ARE REQUIRED
TO INSTALL THE PARTITION



I. The following tools will be required to complete the installation.

- A. 7/16" Socket & Ratchet
- B. 7/16" Open ended Wrench
- C. 3/16" Allen Wrench
- D. 3/8" Socket & Ratchet
- E. 3/16 "Drill Bit
- F. 1" Hole Saw & Drill Bit

II. Read all instructions carefully and refer to pages 5 to ensure all parts were received.

WARNING: *Locate all wiring, fuel lines, brake lines, coolant lines, or refrigerant lines before drilling any holes or installing any self-drilling fasteners.*

III. Preparing the B-Pillar.

- A. Locate and remove the lower part of the b-pillar trim to access the sheet metal body. After the trim is removed put the 3PK5715-01D & 3PK5715-01P b-pillar brackets in location and mark the 4 holes to drill a pilot (with 3/16" drill bit) for the self tapping screws (3X162). The b-pillar bracket is located when the tab is all the way down on the slot as shown in fig. 1. Secure the b-pillar brackets to the driver & passenger sides of the vehicle with the self-tapping screws.

- B. Use the supplied b-pillar templates on the last 2 pages to mark the three holes in the lower b-pillar trims and drill out the 1" holes so the standoffs can fit through and re-install the trim.

Use tab to place b-pillar bracket in location

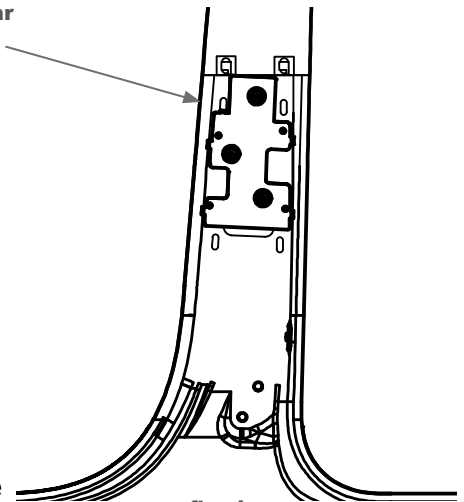


fig. 1

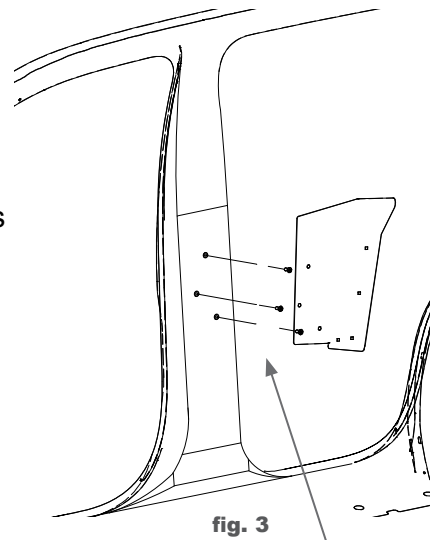
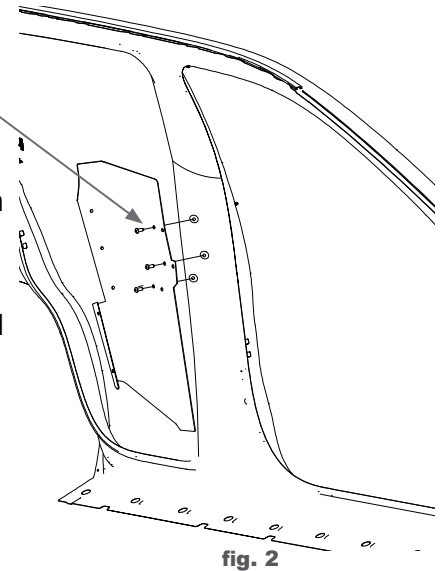
IV. Partition Installation.

- A. When b-pillar bracket installation is completed and the trim is reinstalled, then the lower sheet metal side panels (3PK5715-02D) can be installed.
- B. Also at this time install the passenger side sheet metal panel (3PK57SS15-02P) using three (3X149) screws leaving bolts loose until the partition is installed. (See fig. 2 and 3)

NOTE: *The recess panel must be placed in the vehicle before the partition with the OEM second row seating!*

- C. At this point the partition and the recess panel can be installed in the vehicle. Place the recess panel loosely in the vehicle just behind the center console. We recommend that two people lift the partition in place. Carefully lift the partition with another person thru the second row doors. Rest the partition on top of the second row seat and lift the bottom part of the partition up over the side panels towards the front as shown in fig. 4. Start the three (3X36) bolts and (3x16Z) whiz nuts on the side tabs of the partition to hold in place.
- D. Have one person hold the partition tight to the ceiling of the vehicle while the other person tightens all the loose mounting screws on the panels. Be sure the roll bar fits tight inside the sheet metal panels with no gaps. (Refer to fig. 5)

Install the lower sheet metal panels to b-pillar brackets

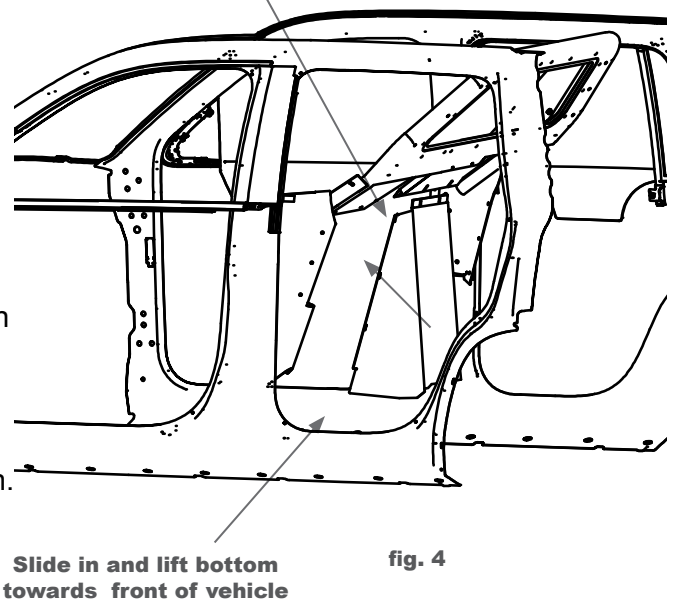


Set recess panel in vehicle before partition installation

Place 3X36 bolt into hole at this time. Access will be restricted later.

V. Seat Protector & Recess Panel Installation

- A. Install the (3PK57SST15) filler panel on the passenger side lower b-pillar area. (As shown in fig. 6 and main diagram)
- B. Now with the partition installed in the vehicle and the recess panel (**3RP57SST15 for Tahoe, or 3RP54SST16-01 for Silverado**) loosely in place, install the two (3X36) bolts and (3X16Z) whiz nuts on the top of the recess panel and partition.
- C. Next install the driver's side bucket seat protector (3SP57SST15 - D) from the front side of the partition. Line up the holes on the side tab first and put the (3X36) bolts and (3X16Z) whiz nuts through and



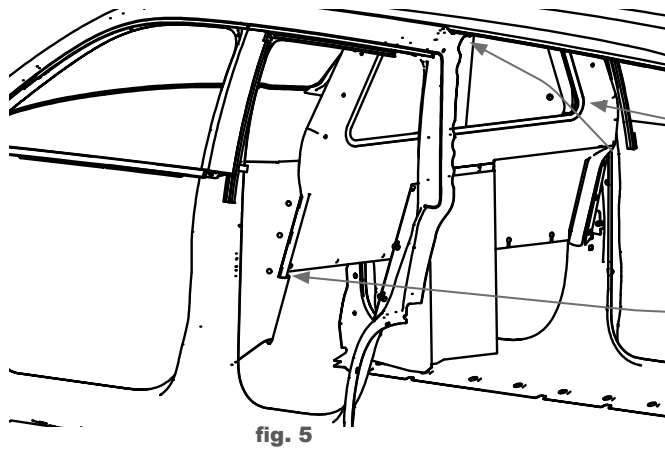


fig. 5

Hold partition tight to ceiling while tightening bolts

Ensure the roll bar and sheet metal are tight in these areas!

hand tighten. The seat protector fit underneath the seat rails and tight to the floor when in proper location. (See diagram on page 6)

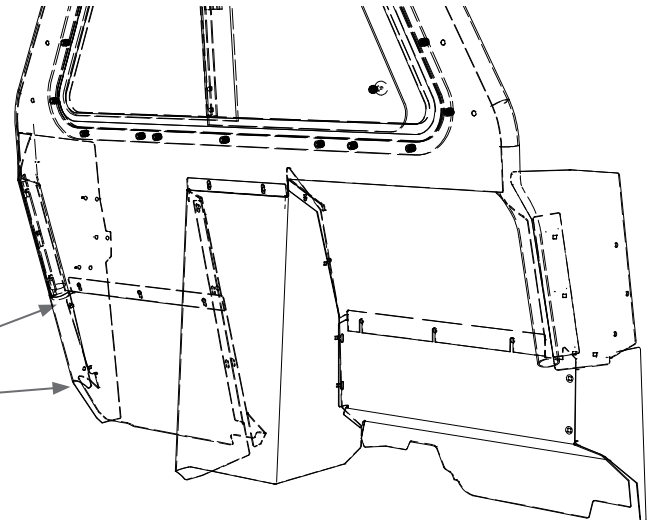


fig. 6

Place seat protector in location from the front of the vehicle. Install and start side bolts first. Next install all other bolts second. Tighten all bolts down to lock panel in place.

- D. Place the passenger's side bucket seat protector (3SP57SST15 - P) in the vehicle from the front and set in location. Get all bolts started and tighten to secure. (See main diagram on page 5)

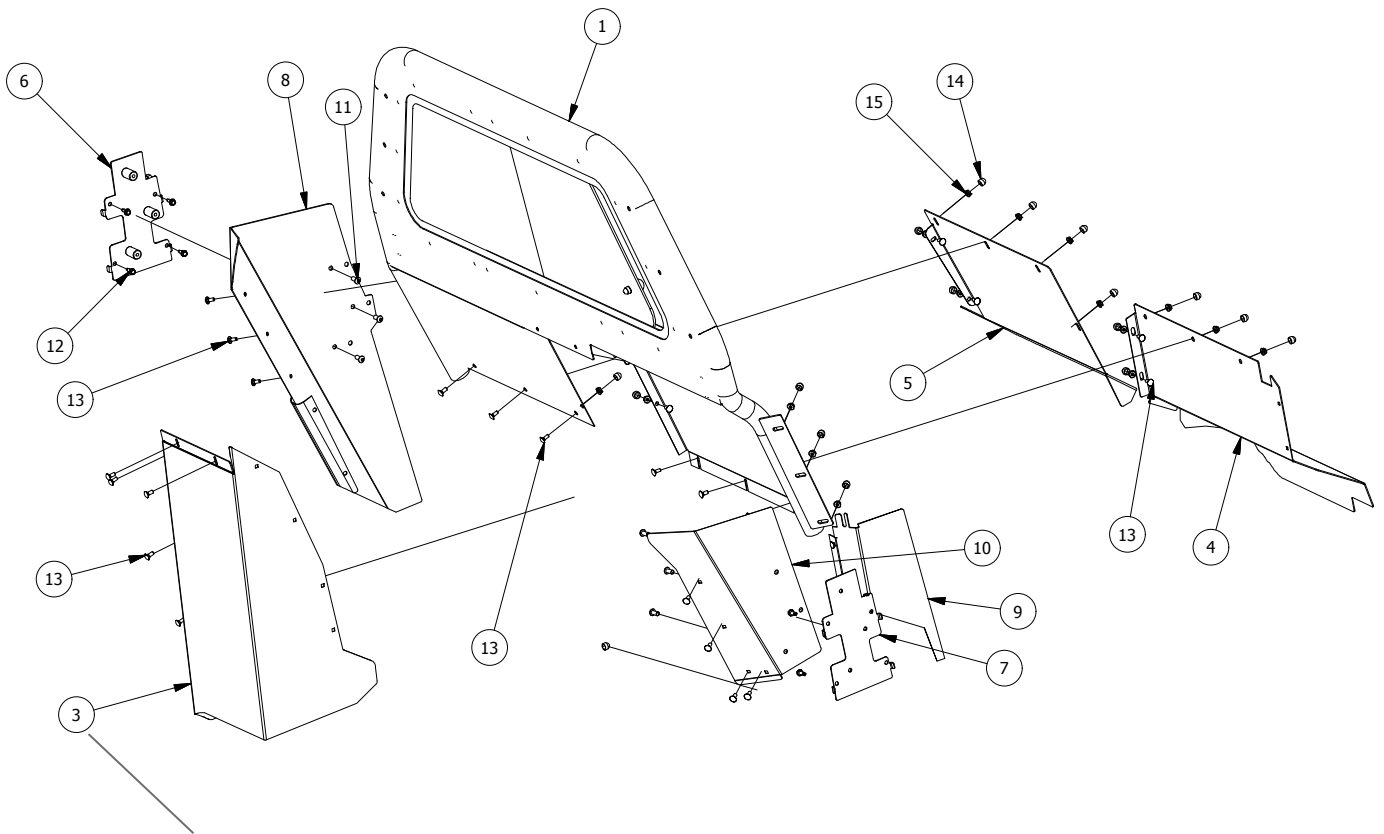
Installation complete!

If you have any problems with this installation then call the toll free number (800-480-6680) and ask for technical assistance.

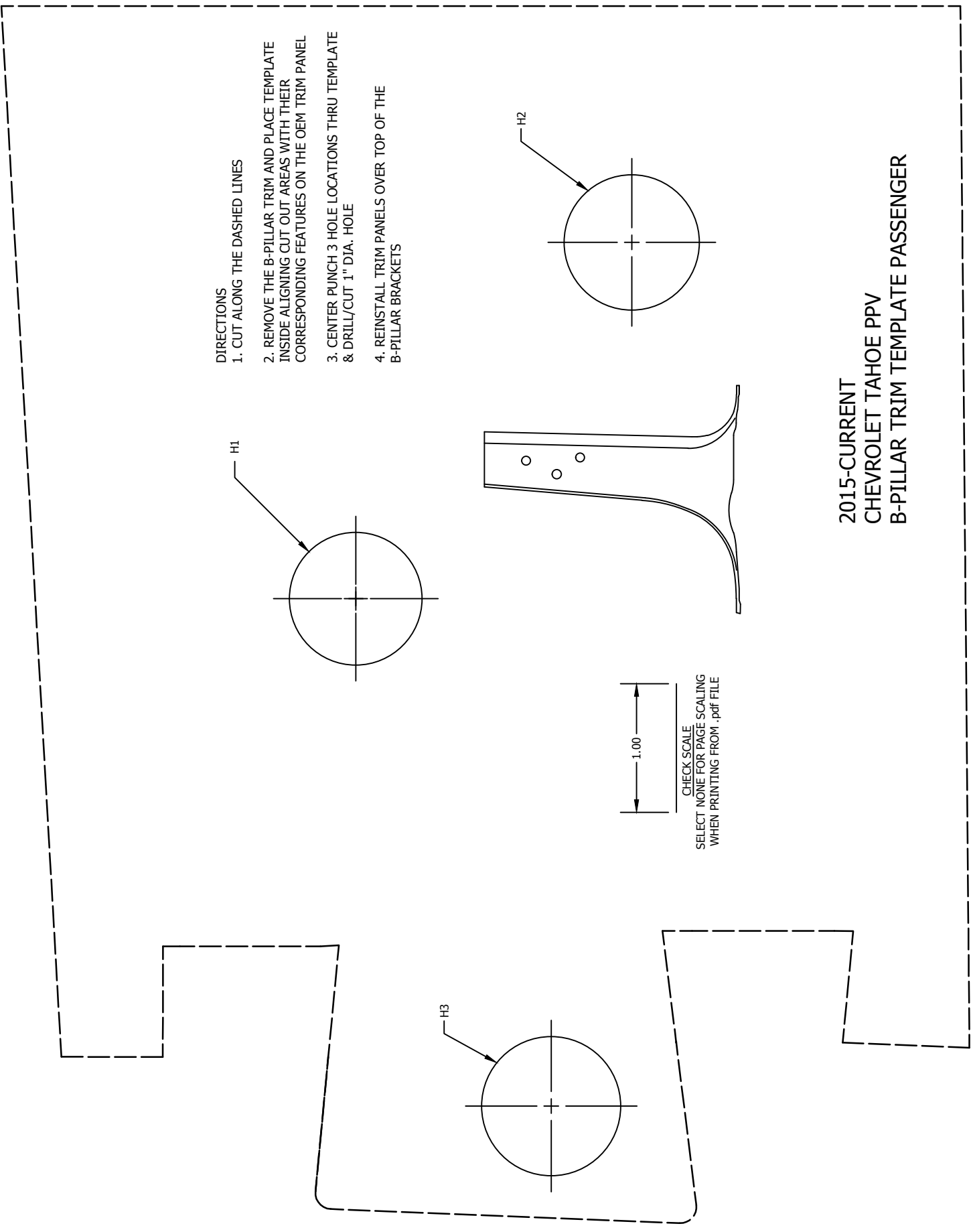
Space Saver Plus Partition

PARTS LIST			
ITEM	QTY	PART NUMBER	DESCRIPTION
1	1	4P57XXSS15	2015 TAHOE SPACE SAVER PARTITION
2	1	4PK57SS15	SPACE SAVER PARTITION HARDWARE KIT
3	1	3RP57SST15	RECESS PANEL
4	1	3SP57SST15- P	SEAT PROTECTOR PASSENGER SIDE
5	1	3SP57SST15-D	DRIVER BUCKET SEAT PROTECTOR

SPACE SAVER HARDWARE KIT			
ITEM	QTY	PART NUMBER	DESCRIPTION
6	1	3PK5715-01D	B-PILLAR BRACKETS
7	1	3PK5715-01P	B-PILLAR BRACKET
8	1	3PK5715-02D	LOWER SHEET METAL PANEL
9	1	3PK57SST15	FILLER PANEL BRACKET
10	1	3PK57SS15-02P	SHEET METAL SIDE PANEL
11	6	3X149	5/16-18 X 3/4 BSHCS, BK
12	8	3X162	#14 x 3/4" SELF DRILLING HEX HEAD SCREW
13	26	3X36	1/4-20 X 5/8 CARRIAGE BOLT
14	26	3X145	BLACK PLASTIC CAP
15	26	3X16Z	1/4-20 WHIZ NUT

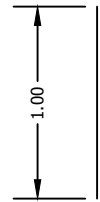
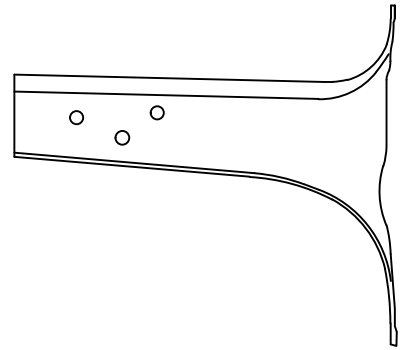
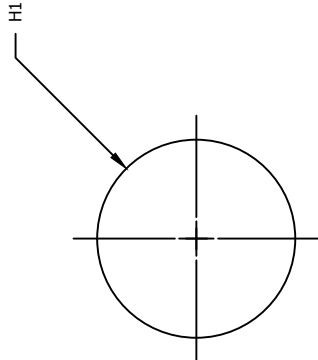


NOTE: If installing the partition inside of a Chevy Silverado Item #3 will be a different Recess Panel with part number 3RP54SST16-01

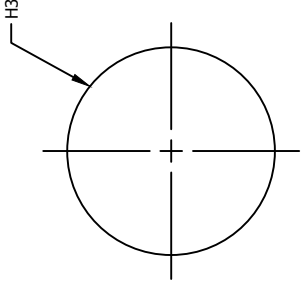


DIRECTIONS

1. CUT ALONG THE DASHED LINES
2. REMOVE THE B-PILLAR TRIM AND PLACE TEMPLATE INSIDE ALIGNING CUT OUT AREAS WITH THEIR CORRESPONDING FEATURES ON THE OEM TRIM PANEL
3. CENTER PUNCH 3 HOLE LOCATIONS THRU TEMPLATE & DRILL/CUT 1" DIA. HOLE
4. REINSTALL TRIM PANELS OVER TOP OF THE B-PILLAR BRACKETS

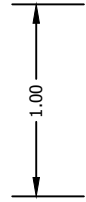
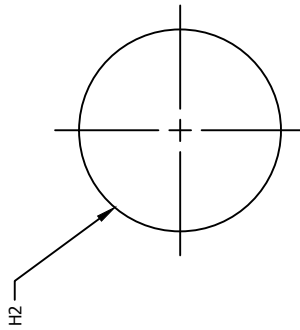
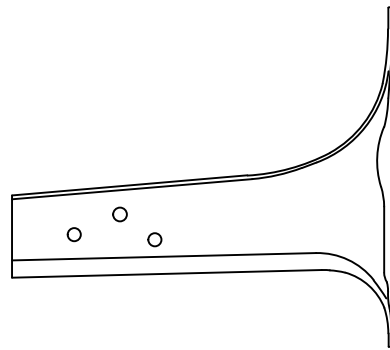
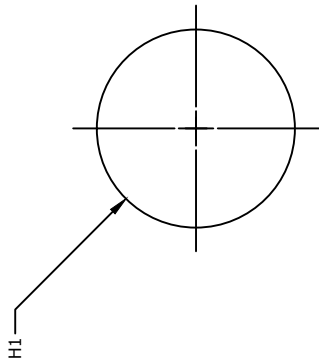


CHECK SCALE
 SELECT NONE FOR PAGE SCALING
 WHEN PRINTING FROM .pdf FILE

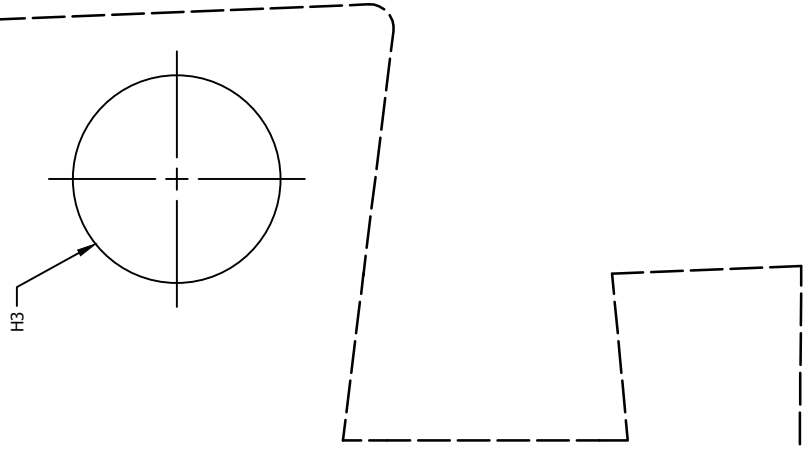


2015-CURRENT
 CHEVROLET TAHOE PPV
 B-PILLAR TRIM TEMPLATE PASSENGER

- DIRECTIONS**
1. CUT ALONG THE DASHED LINES
 2. REMOVE THE B-PILLAR TRIM AND PLACE TEMPLATE INSIDE ALIGNING CUT OUT AREAS WITH THEIR CORRESPONDING FEATURES ON THE OEM TRIM PANEL
 3. CENTER PUNCH 3 HOLE LOCATIONS THRU TEMPLATE & DRILL/CUT 1" DIA. HOLE
 4. REINSTALL TRIM PANELS OVER TOP OF THE B-PILLAR BRACKETS



CHECK SCALE
SELECT NONE FOR PAGE SCALING
WHEN PRINTING FROM .pdf FILE



2015-CURRENT
CHEVROLET TAHOE PPV
B-PILLAR TRIM TEMPLATE DRIVER