

INSTALLATION GUIDE

RWG67DUR18A

REAR WINDOW GUARDS

2018 - CURRENT

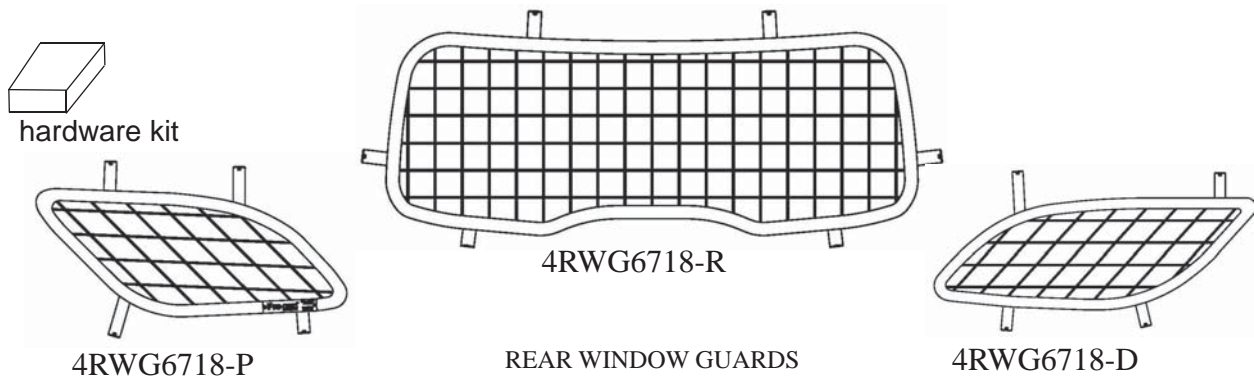
DODGE DURANGO

Pro-gard[™]
PRODUCTS LLC.

STRONG | RELIABLE | SECURE

pro-gard.com
800.480.6680

**THESE COMPONENTS ARE REQUIRED
TO INSTALL THE PRO-GARD REAR WINDOW GUARD**



I. Refer to the diagram above to verify all parts were received.

II. The following tools will be required to complete the installation:

1. 3/8" Socket w/ driver
2. 7/64" Diameter drill bit

III. Read all instructions carefully before starting the assembly process.

NOTE: *Locate all wiring, fuel lines, brake lines, and /or cooling lines before drilling holes or installing any fasteners.*

IV. Driver and Passenger Window Guard Installation

- A. Remove quarter trim panel beginning with all fasteners, trim covers and disconnect any wiring harnesses. (Fig 1).
- B. Gently pry and remove the quarter trim panel from the vehicle.

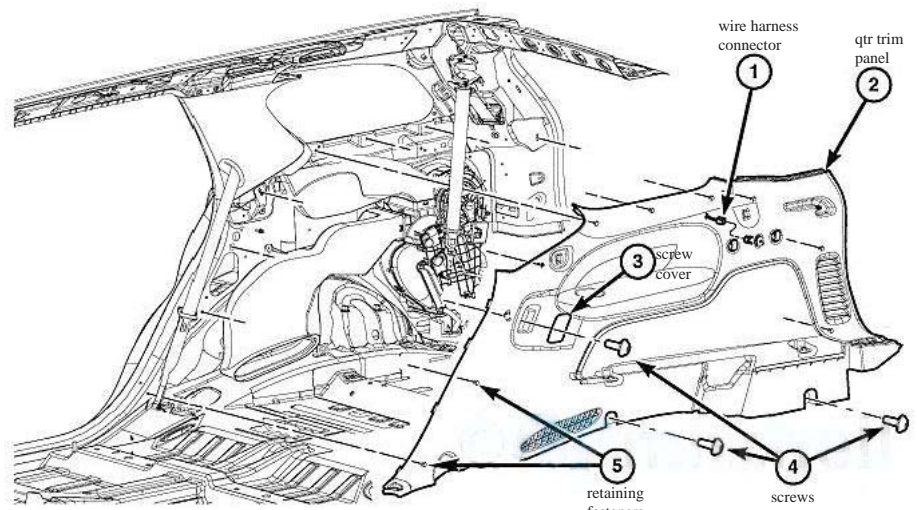


Figure 1

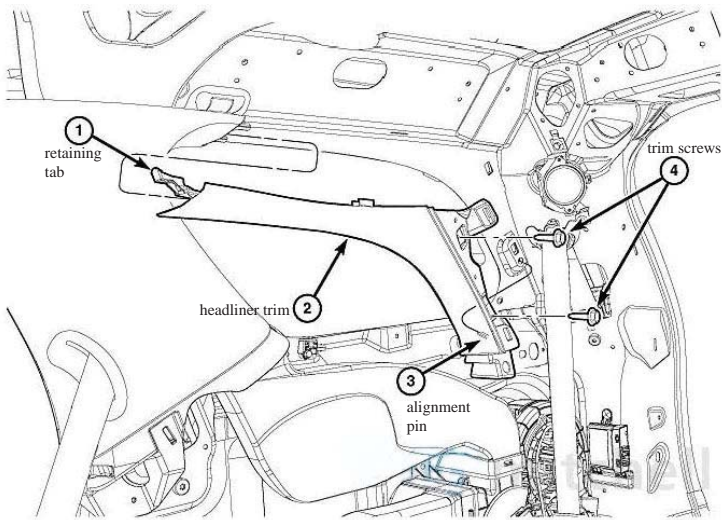


Figure 2

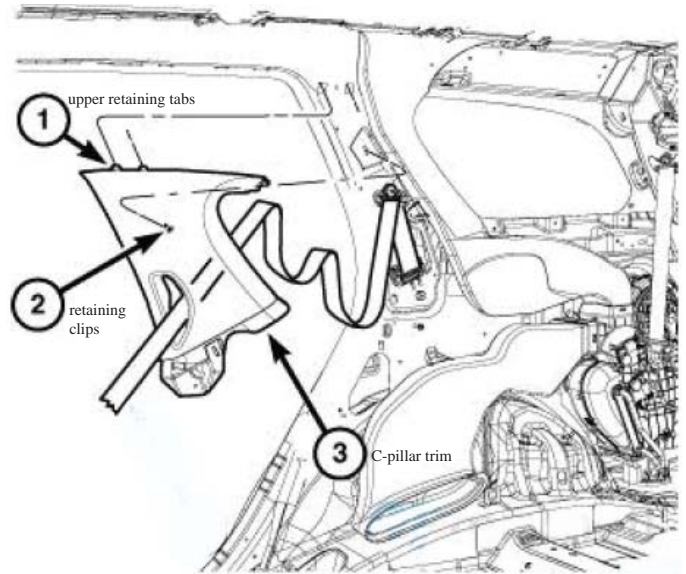


Figure 3

C. Remove the headliner trim (Fig 2).

NOTE: ALL trim panels will need to be cut before reinstalling.

D. Remove C-pillar trim panel (Fig 3)

E. Remove D-pillar trim panel (Fig 4)

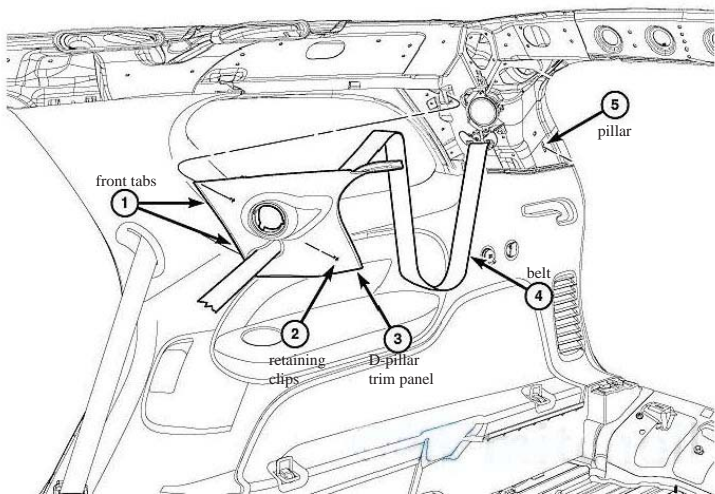


Figure 4

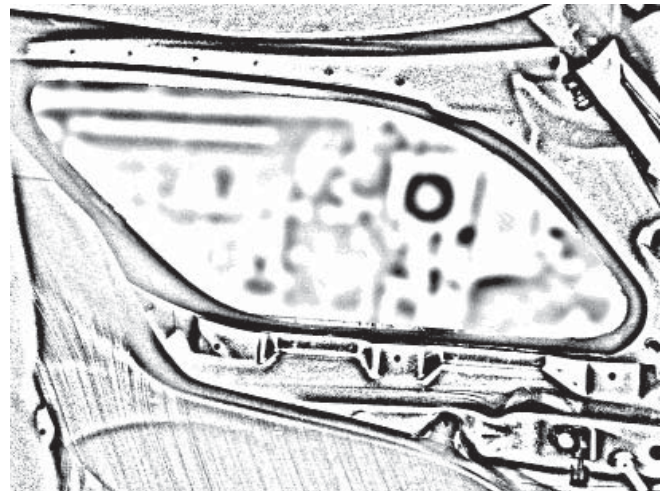


Figure 5 - trim removed from window opening

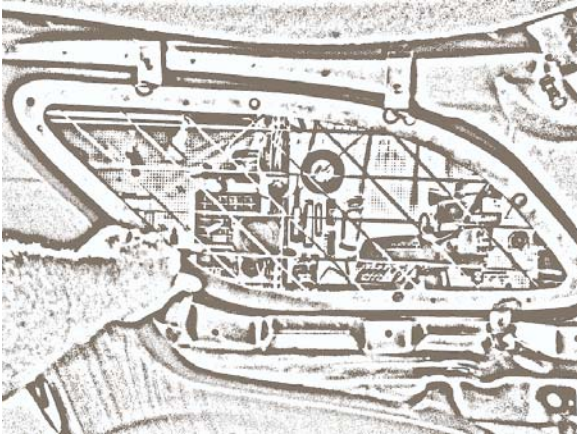


Figure 6

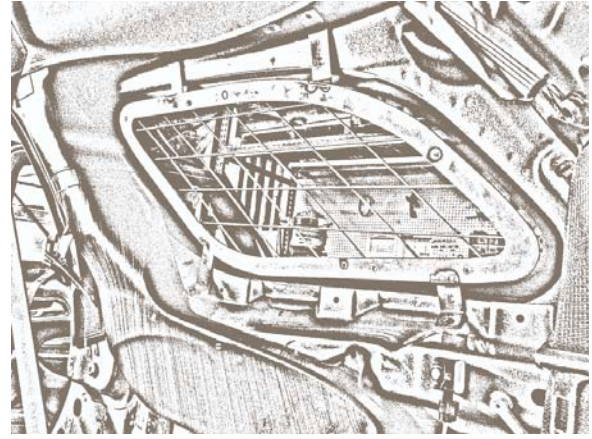


Figure 7

F. Hold window guard up to opening and center with window. (Fig 6)

NOTE: A second person may be necessary to secure the window armor to the vehicle while keeping the brackets aligned with the sheet metal.

G. Mark mounting hole locations and drill 7/64" holes.

H. Drive mounting screws (3X72) to secure frame (Fig 7).

I. Repeat process for the driver's side of the vehicle.

V. Rear Hatch Window Guard Installation

A. Gently pry on the upper trim panel until it is free from the vehicle. Repeat the process for the lower trim panel. (Fig. 8)

B. Remove (1) wire harness clip from each side at lower corner (Fig 9 & 10)

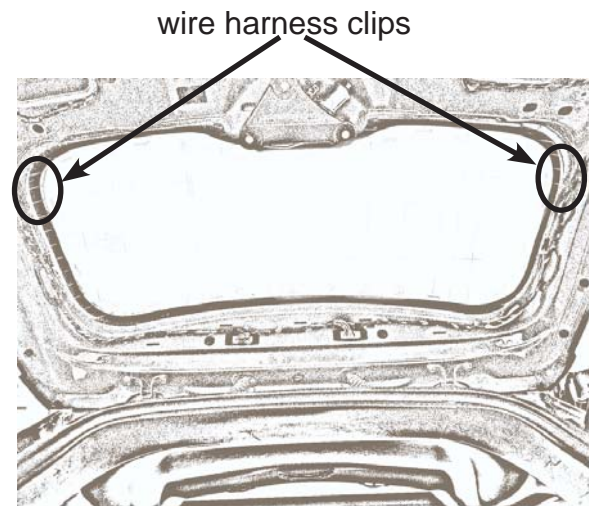


Figure 9

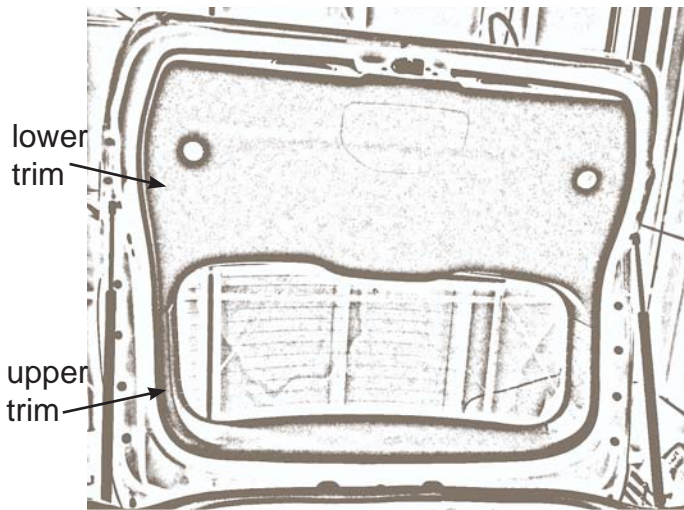


Figure 8 - hatch in open position

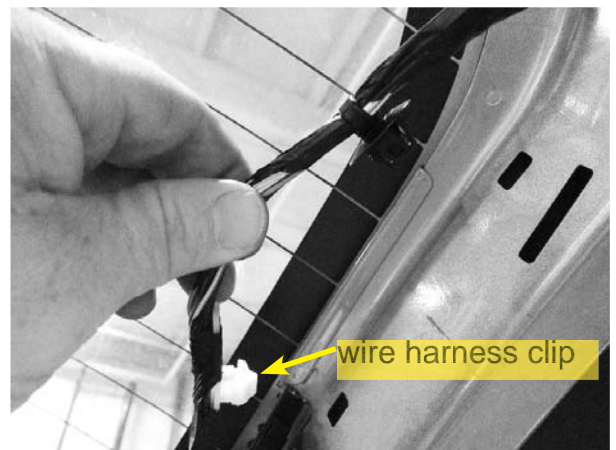


Figure 10

- C. With the window armor frame centered on the hatch, place tension on the guard forcing the mounting brackets into position. Frame will self-center and should wedge itself into place. (Fig 11)
- D. Attach the mounting brackets to the vehicle with the provided self-tapping screws (3X72). It may be necessary to drill a 7/64" pilot hole before using the self-tapping screws. (Fig 12)
- E. Insert harness clips and snap back in place.

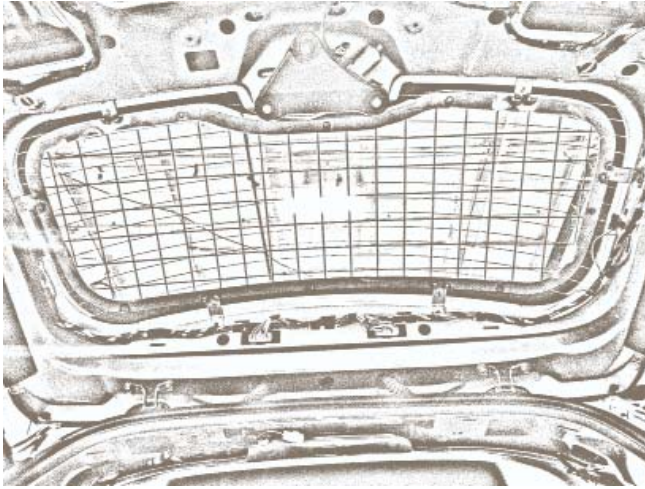


Figure 11



Figure 12

VI. Locate and Cut Clearance Notches

- A. Holding trim panels in position, mark window frame bracket locations. Cut notch for 3/16" clearance on sides and 9/16" deep using razor knife or equivalent. (Fig 13)
- B. After notching, re-install all trim panels (Fig 14).

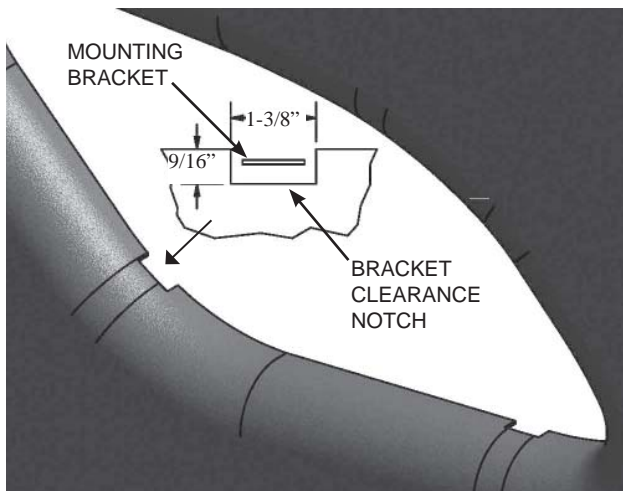


Figure 13

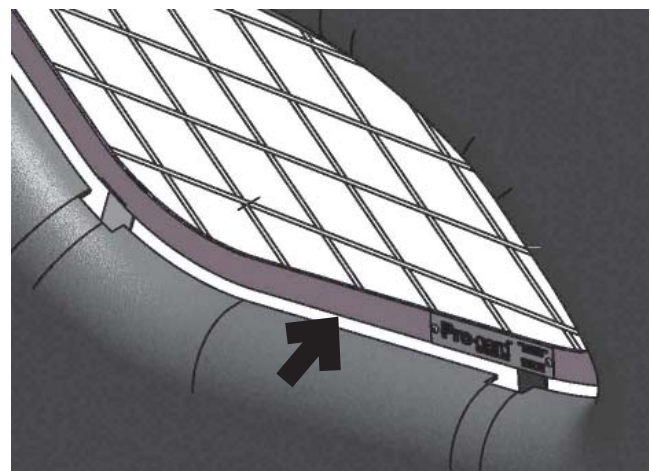
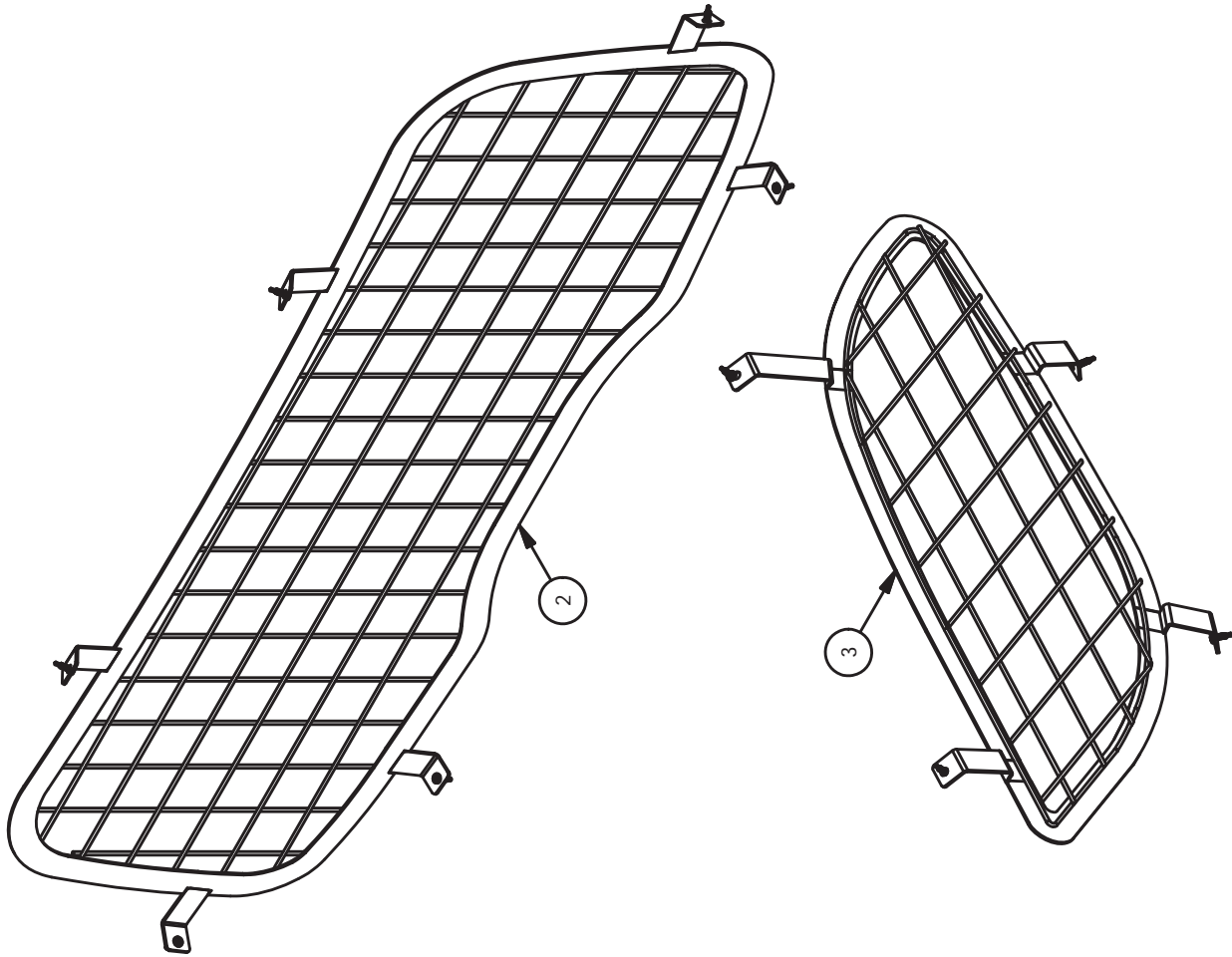


Figure 14

Installation complete!

If you have any problems with this installation then call the toll free number (800-480-6680) and ask for technical assistance.

RWG67DUR18A



PARTS LIST			DESCRIPTION
ITEM	QTY	PART NUMBER	
1	14	3X72	#8 X 5/8 PHILIPS TRUSS HD
2	1	4RWG6718-R	REAR HATCH WINDOW GUARD
3	1	4RWG6718-D	REAR SIDE WINDOW GUARD DS
4	1	4RWG6718-P	REAR SIDE WINDOW GUARD PS