



P1300 shown in the 2020 Ford Interceptor Utility

PRISONER TRANSPORT

P1300 PRO-CELL PRISONER TRANSPORT SYSTEM

Pro-gard[™]
PRODUCTS LLC.

P1300 PRO-CELL SINGLE PRISONER TRANSPORT SYSTEM



P1300 shown with our Tri-Lock Self-Supporting Gun Rack



Full access to 2/3 of second row seats behind driver seat



P1300, shown with passenger side custom molded replacement door panel

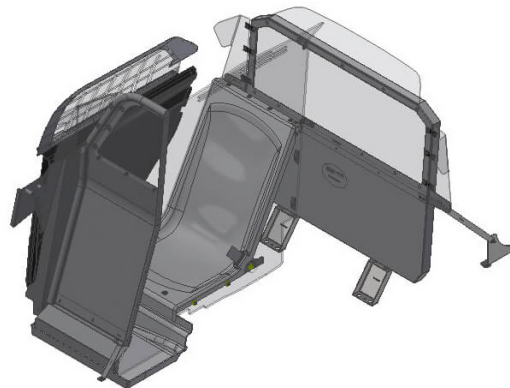
Our new P1300 Pro-Cell Prisoner Containment System is the newest solution for fleets who need to achieve total prisoner containment during transports. The P1300 provides full usage for two-thirds of the second-row seat while using only one-third for single prisoner transport. This new system provides full travel and recline of the front driver's seat, without compromising the safety necessary for prisoner transport. The single system innovation creates a seamless use for the car during work and after hours.

P1300 FEATURES

Offers the same high level of containment as our other Pro-cells. Safely confines the prisoner to only 1/3 area behind the passenger seat of the second-row seats, allowing for full use of the other 2/3 OEM seats behind the driver. The P1300's versatile design allows full functionality of the driver's seat along with the convenience of additional storage space behind the officer without having to remove the entire OEM second-row seats.

- » Includes: 1/3 Partition, Transport Seat, Floor Pan, Passenger Side Door Panel and Window Armor, Lower Extension Panel, OSB, Poly Divider, Custom Molded Replacement Door Panel and Cargo Barrier with Poly Window
- » Single Prisoner Transport
- » Driver's Seat: Full Travel and Recline
- » Easy to clean and sanitize surfaces
- » Available for the 2020+ Ford Interceptor Utility
- » Mount single or dual weapons
- » Ideal for transporting a car seat or non-detainee passenger when necessary
- » Only need to store 1/3 OEM Seats
- » Full access to 2/3 second row OEM Seats
- » Transport Seat sits 6" lower than OEM seat
- » Patented Airbag Compatible Wings Protection

**Does not include driver side window armor or door panel*



P1300, 1/3 Cage, Single Prisoner Transport rendering

Pro-gard[™]
PRODUCTS LLC.