

# **INSTALLATION GUIDE**

**GVPM TRI-LOCK  
PARTITION MOUNT  
GUN RACK**

**Pro-gard**<sup>™</sup>  
PRODUCTS LLC.

**STRONG | RELIABLE | SECURE**

**pro-gard.com  
800.480.6680**

THESE COMPONENTS ARE REQUIRED  
TO INSTALL THE TRI-LOCK GUN RACK

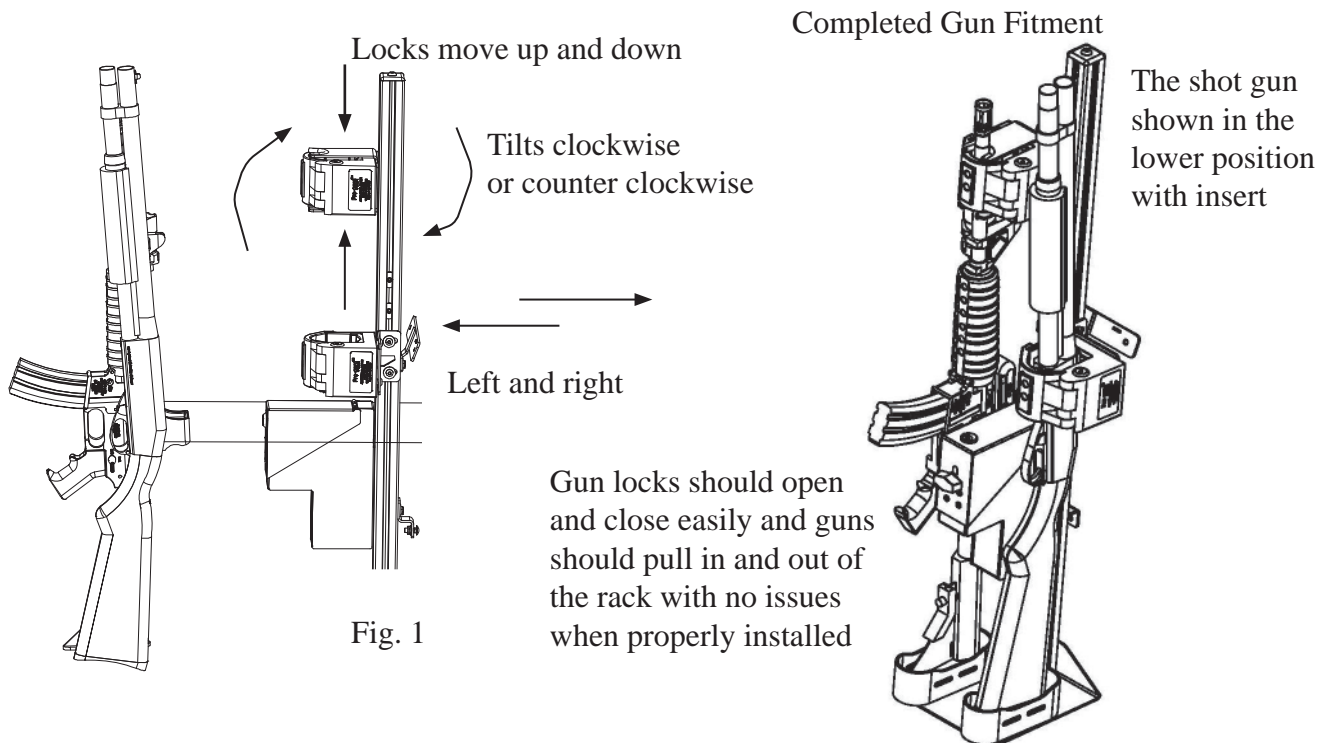


**I. The following tools will be required to complete the installation.**

- A. 7/16" Socket & Ratchet
- B. 5/32" Allen Wrench
- C. 9/32" Allen Wrench
- D. 5/16" Drill bit

**II. Installing the Tri-Lock gun rack (Requires Pro-gard partition with recess panel)=**

- A. Place the intended guns into the gun rack and make adjustments to fit. This will allow more access than when the rack is in the vehicle, but the rack can be adjusted after installed inside the vehicle as well.
- B. The brackets mounting the gun lock are designed to be loosened and adjusted in many directions to accommodate most guns. Fit each gun by loosening the bolts on the gun lock bracketry so the mounting bracket moves freely. Place your gun into the lock and in the desired position. Use an allen wrench to tighten locks in place. (See Fig. 1)



C. Shot Gun Mounting - The shot gun can be mounted in two ways, by barrel mount or by installation of the shot gun chamber mount insert. To install the shot gun insert, remove the standard insert by opening the lock and unscrewing the two insert bolts with an allen wrench. Remove the retaining ring from the bolt's back side. Replace with shot gun insert (3G724) and reinstall insert bolts and retaining rings on the back side of the insert. Use the two fastener bolt's adjustment to fit the shot gun used in the lock. (See Fig. 2)

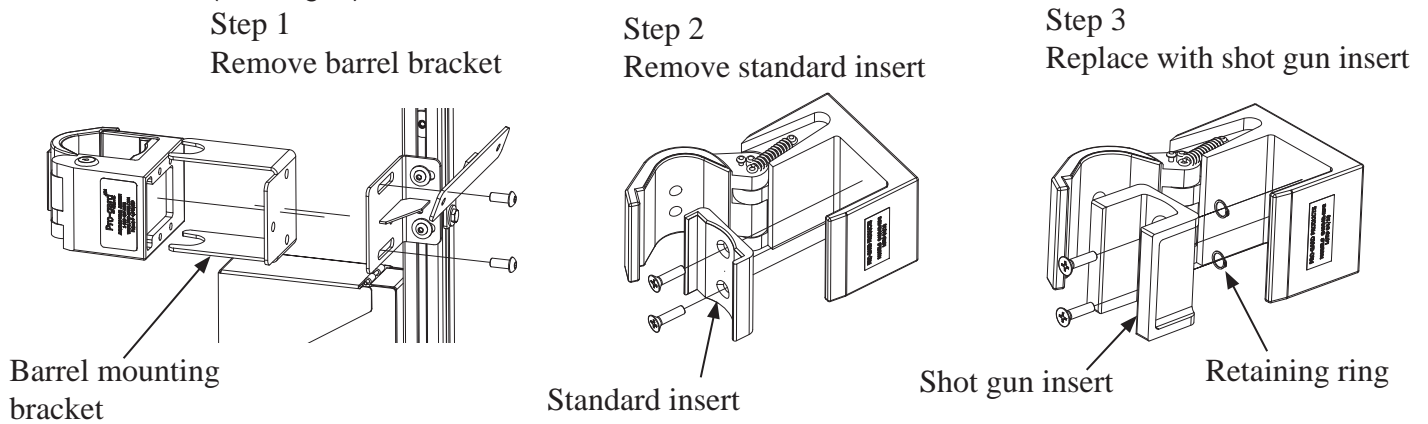


Fig. 2

### III. Attaching Tri-Lock to Partition

- A. Place the gun rack into the vehicle to determine the desired position. While the gun rack is roughly in position, check the lower partition bracket to determine height of the hole needed to be drilled.
- B. Drill a 5/16" hole for the lower partition bracket in the center of the recess panel. The height of the hole location may change from vehicle to vehicle, but is generally around 10 inch from the bottom of the recess panel. (See Fig. 3)
- C. Attach the upper partition bracket by removing the two center bolts in the recess panel, and reuse them to fasten the top of rack in location. Use a open ended 7/16" wrench if partition brackets need adjustment up or down to align mounting holes.

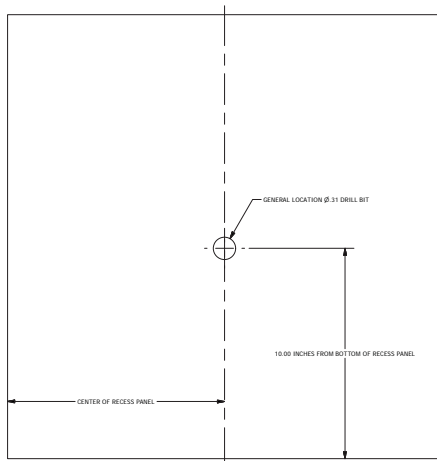
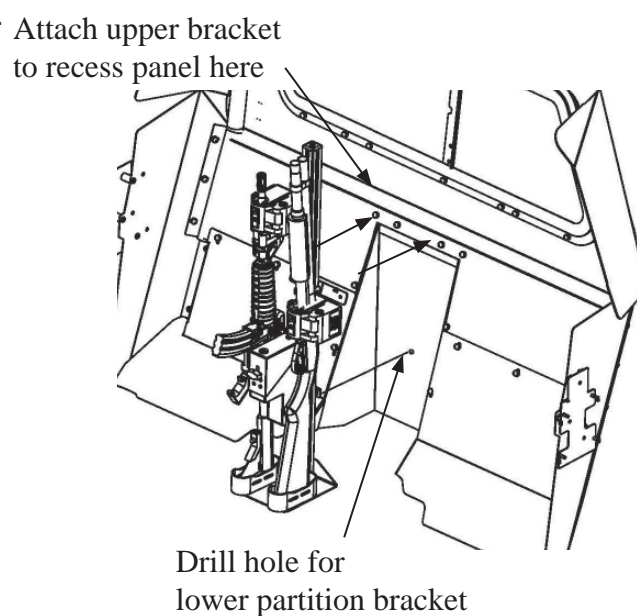


Fig. 3



- D. Tighten all fasteners down to secure rack in position. Check to see how the weapons fit into the rack and make any needed adjustments.

#### IV. Lock Box

- A. Open the lock box and loosen the bolts with a 7/16" socket and extension wrench to adjust the box up or down as needed. (Swivel attachment is required) Install supplied black felt over bolts when box position has been fixed.

#### V. Gun lock switch and timer installation.

- A. We suggest mounting the momentary release button in a concealed location that can be easily reached by the officer, but would be hidden in case an unauthorized entry occurs.
- B. Connect the gun lock wiring as shown in the diagram below.

Lock box adjustment bolts

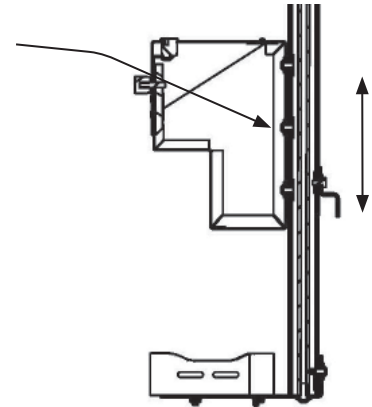
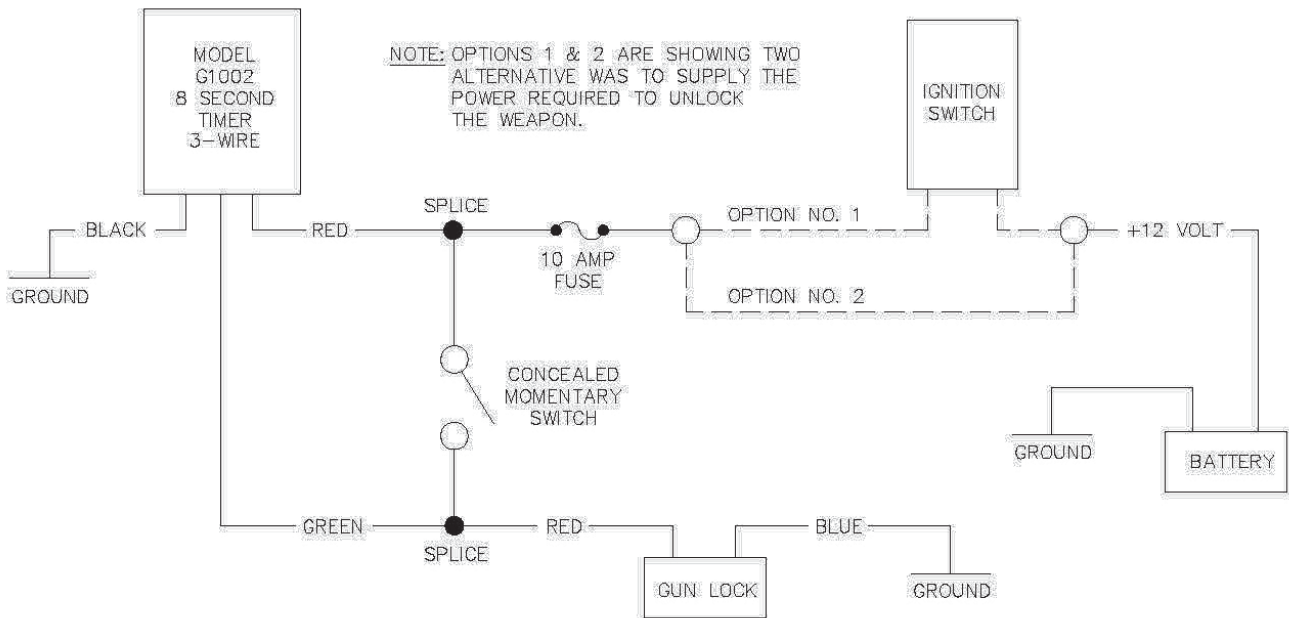


Fig. 4

**NOTE:** Pro-gard requires the use of a 10 AMP fuse between the power source and gun lock circuit or the warranty will be voided!

Fig. 5



## VI. Lock Head Operating Instructions

- A. To release, grasp the weapon, but do not pull it against the lid of the gun lock.
- B. After depressing the release button (momentary switch), push and then pull the weapon towards the lid of the gun lock to release it from the lock.

**NOTE:** One handed operation is possible utilizing the optional 8 second timer. The timer will unlock the lock for 8 seconds following activation of the momentary switch. If the gun is not pulled out of the lock within 8 seconds after activation of the momentary switch, the lock will automatically re-lock.

**TIP:** If lid of the lock does not release, press in on the lid to release tension and reactivate the release button (unless timer is still active).

### Installation Complete!

Call Pro-gard technical support if assistance is needed. 1-800-480-6680

PARTS LIST			
ITEM	QTY	PART NUMBER	DESCRIPTION
1	1	1515-LITE-BLACK 80/20 INC	1.5" X 1.5" LOT T SLOTTED 38"
3	2	3G135	R LOCK BARREL MOUNT BRACKET
4	2	3G4962-002	BUTT PLATE BLACK NYLON
5	2	3G4963-002	RUBBER BUTT PLATE PAD
6	1	3G7030	UPPER PARTITION MOUNTING BRACKET
7	1	3G7031	LOWER PARTITION MOUNT BRACKET
8	1	3GVM201-02	L BRACKET GUNRACK
9	1	3GVM201-024	PARTITION BASE PLATE
10	1	3GVM201-03	L BRACKET GUNRACK
11	1	4GLB02-01	TRI-LOCK GUN SAFE
12	2	G4904-NPG	LOCK

HARDWARE LIST			
ITEM	QTY	PART NUMBER	DESCRIPTION
1	1	203001-PLAIN	END CAP W/O FASTNER PLAIN
2	4	3R50109	TRIM, RUBBER GUNRACK (CUT FOR BRKT 3G135)
3	12	3X12	1/4 FLAT WASHER, BLACK
4	5	3X149	5/16-18 X 3/4 BSHCS, BK
5	4	3X16	1/4-20 WHIZ NUT
6	1	3X16Z	1/4-20 WHIZ NUT
7	5	3X184	1/4-20x0.75, SHCS, BLACK OXIDE
8	2	3X231	1/4-20 X 1/2 HHCH GR5 ZINC
9	1	3X233	06-32 WELD NUT N-D 1114
10	10	3X234	1-4-20X1.14 TAB WELD NUT
11	1	3X235	5/16-18 X 5/16 LG.BSHCS, BK
12	1	3X242	6-32 X 1-1/2 FLAT HD SOC CAP SCR
13	7	3X258	1/4-20X1/2 BUTT HD SOC SC BLK
14	1	3X61	1/4-20 X 3/4 CARRIAGE BOLT
15	1	4G5070P2	SPACER, PLASTIC, 3/4" LONG
16	1	NB020-TH	MAGNET 1/2" X 1/2" X 1/4"

