

INSTALLATION GUIDE

GVM8116FT

SELF SUPPORTING

STAND FOR

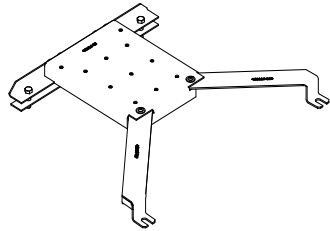
2016 FORD F150 4-DOOR

Pro-gard[™]
PRODUCTS LLC.

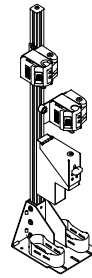
STRONG | RELIABLE | SECURE

pro-gard.com
800.480.6680

THESE COMPONENTS ARE REQUIRED TO INSTALL
THE PRO-GARD G7047 SELF SUPPORTING STAND AND TRI-LOCK GUN RACK



G8116FT Self Supporting Stand



Tri-Lock Gun Rack
GVPMXXXX

- I. Refer to the diagram on the last page of these instructions to verify all parts were received.
- II. The following tools will be required to complete the installation.
 - A. 7/16" & 1/2" Socket & Ratchet
 - B. 5/32" Allen Wrench
 - C. 9/32" Allen Wrench
 - D. 3/8" Drill bit
 - E. 13mm Socket

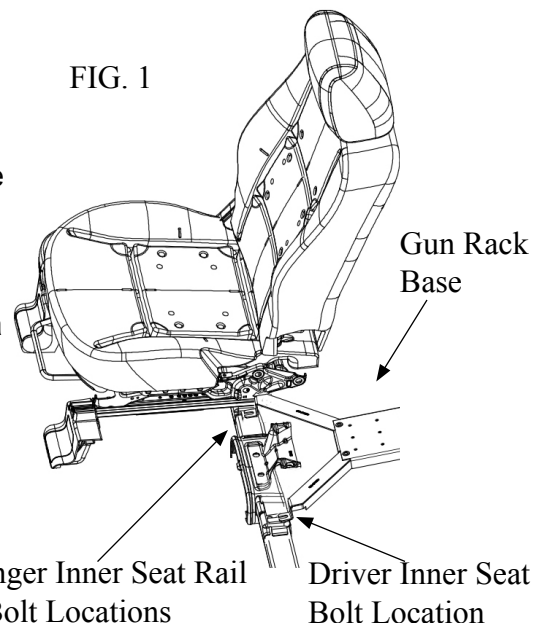
WARNING: *Locate All wiring, fuel lines, brake lines, coolant lines, or reffridgerant lines before drilling any holes or installing any self-drilling fasteners.*

III. Installing the self supporting stand.

- A. Assemble the Self-Supporting Stand, loosely attaching the front support arms with the supplied Bolts (3X184) and washers (3X12).

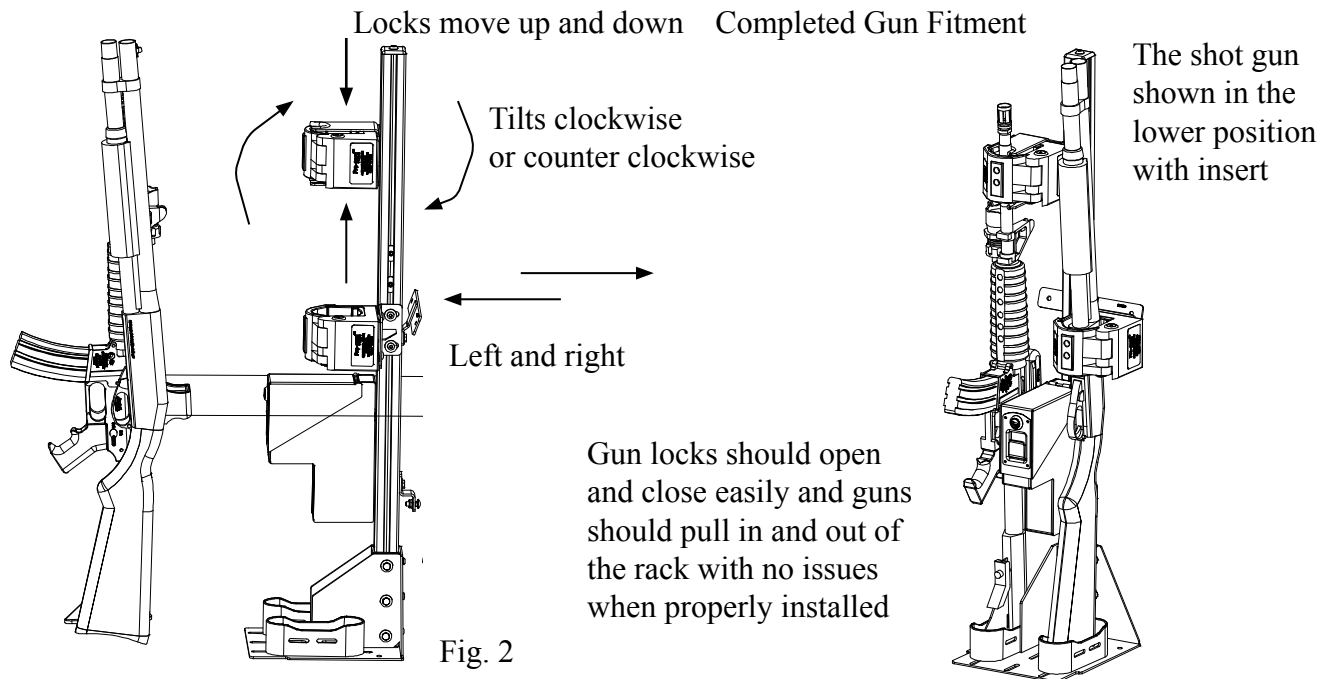
IV. Installing the self supporting stand.

- A. Raise the rear seats to make room to work. Next, loosen both inner rear seat bolts of the driver and passenger seat so that the bolts are raised about 1/2". Slide the arms of the mounting base under the seat bolts and slide the front portion of the stand into place. Once the mounting base is in place, locate and drill holes for the rear mounting bolts. Be careful not to over penetrate through the floor (a drill stop is recommended). Once holes are drilled, have an assistant hold the under brace assembly (3G8116-02) in place under the vehicle and insert and tighten the (3X119) bolts from the top.

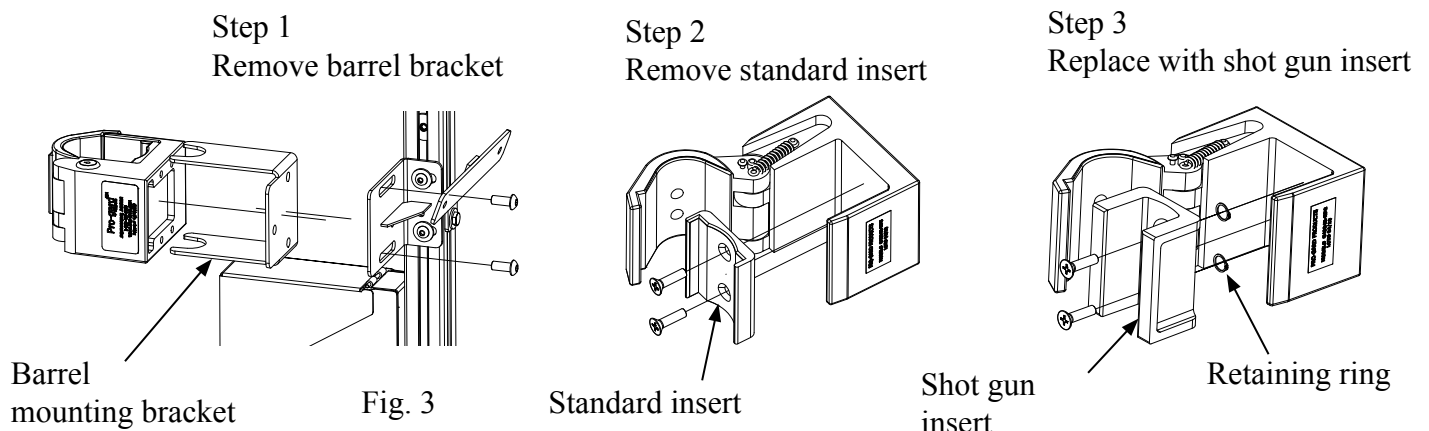


VI. Installing the Tri-Lock gun rack (Requires Pro-gard self-supporting mounting base)

- A. Place the intended guns into the gun rack and make adjustments to fit. This will allow more access than when the rack is in the vehicle, but the rack can be adjusted after installed inside the vehicle as well.
- B. The brackets mounting the gun lock are designed to be loosened and adjusted in many directions to accommodate most guns. Fit each gun by loosening the bolts on the gun lock bracketry so the mounting bracket moves freely. Place your gun into the lock and in the desired position. Take an allen wrench to tighten locks in place. (See Fig. 2)



- C. Shot Gun Mounting - The shot gun can be mounted in two ways, by barrel mount or by installation of the shot gun mount insert. To install the shot gun insert, remove the standard insert by opening the lock and unscrewing the two insert bolts with an allen wrench. Remove the retaining ring from the bolt's back side. Replace with shot gun insert (3G724) and reinstall insert bolts and retaining rings on the back side of the insert. Use the two fastener bolt's adjustment to fit the shot gun used in the lock. (See Fig. 3)



VII. Self-Supporting Installation

- A. For self-supporting installations, remove the four bolts that secure the butt plates to the base of the gun rack. Then rest the gun rack to the self supporting stand, loosely attach the gun rack and adjust it and the butt plates as necessary from front to back. (See Fig. 4) Now, tighten the front support arm fasteners on the base.

NOTE: For Optimal Conditions secure the back of the gun rack tight against the seat.

VIII. Lock Box

- A. Open the lock box and loosen the bolts with a 7/16" socket and extension wrench to adjust the box up or down as needed. (Swivel attachment is required) Install supplied black felt over bolts when box position has been fixed. (See Fig. 5)

Lock box
adjustment
bolts

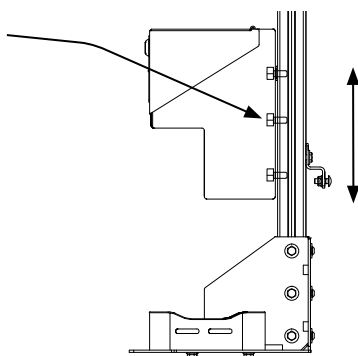


Fig. 5

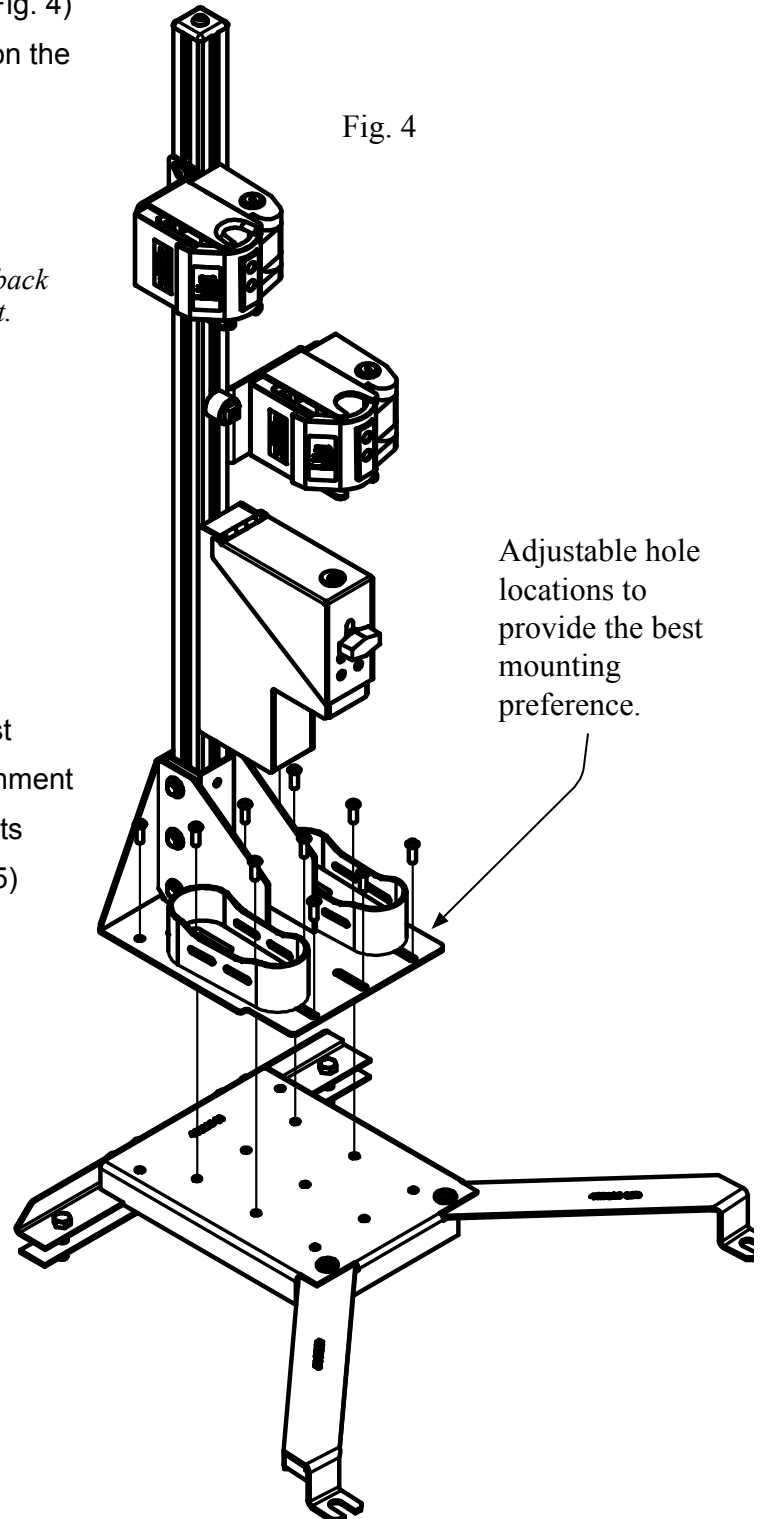


Fig. 4

Adjustable hole
locations to
provide the best
mounting
preference.

IX. Gun lock switch and timer installation.

- A. We suggest mounting the momentary release button in a concealed location that can be easily reached by the officer, but would be hidden in case an unauthorized entry occurs.
- B. Connect the gun lock wiring as shown in the diagram below.

NOTE: *Pro-gard requires the use of a 10 AMP fuse between the power source and gun lock circuit or the warranty will be voided!*

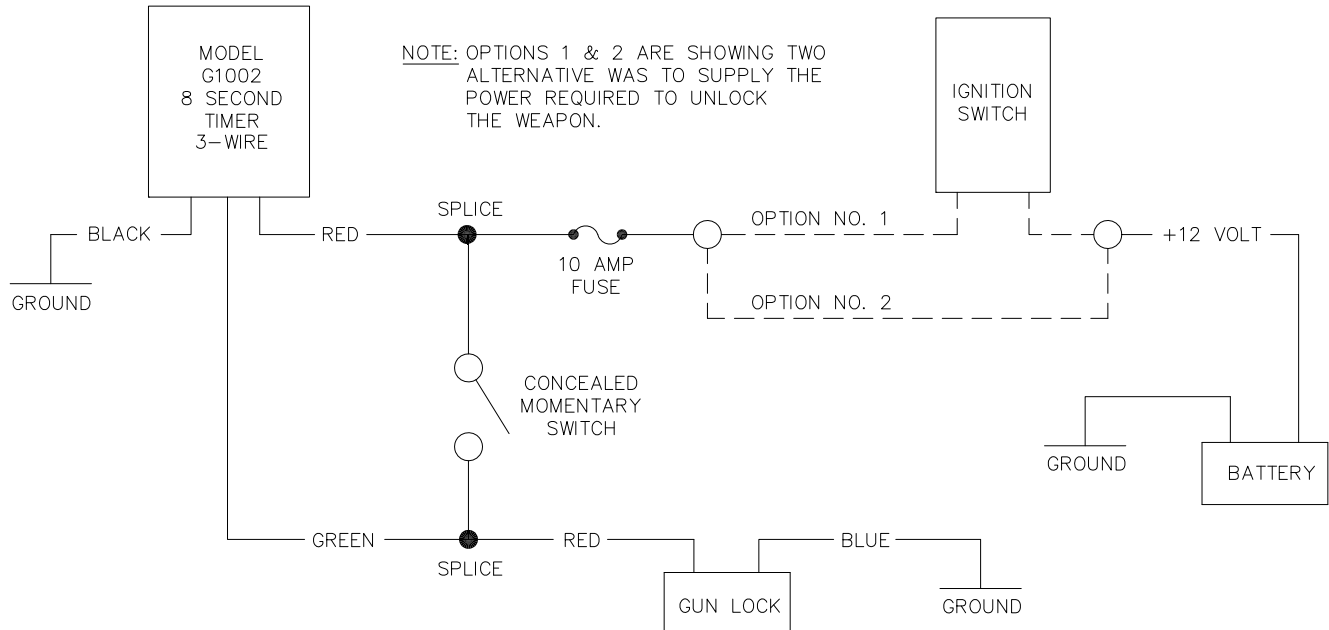


Fig. 6

X. Lock Head Operating Instructions

- A. To release, grasp the weapon, but do not pull it against the lid of the gun lock.
- B. While depressing and holding the release button (momentary switch), push and then pull the weapon towards the lid of the gun lock to release it from the lock.

NOTE: *One handed operation is possible utilizing the optional 8 second timer. The timer will unlock the lock for 8 seconds following activation of the momentary switch. If the gun is not pulled out of the lock within 8 seconds after activation of the momentary switch, the lock will automatically re-lock.*

TIP: *If lid of the lock does not release, press in on the lid to release tension and reactivate the release button (unless timer is still active).*

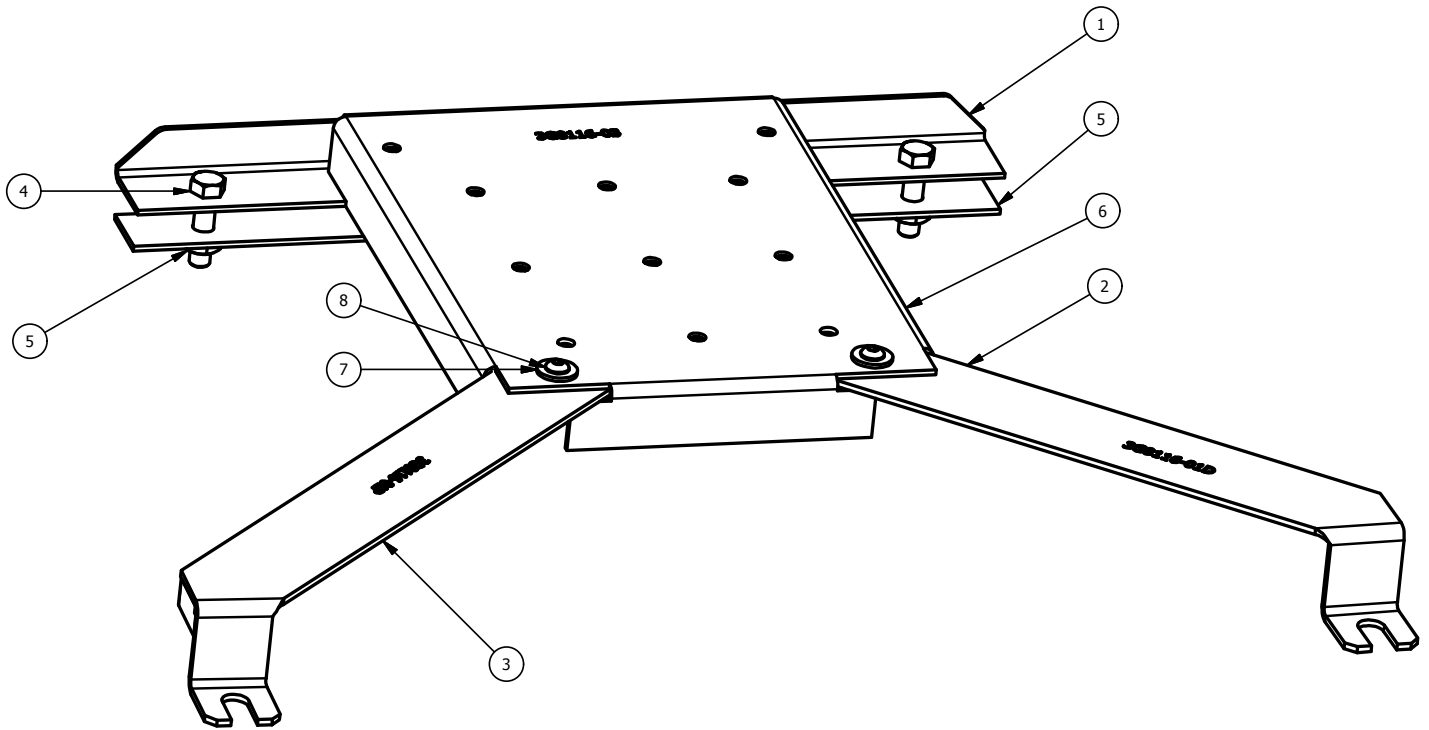
Installation Complete!

Call Pro-gard technical support if assistance is needed. 1-800-480-6680

Self-Supporting Mounting Base

G8116FT

PARTS LIST			
ITEM	QTY	PART NUMBER	DESCRIPTION
1	1	3G8116-06	BRACE, BASE REAR F-150
2	1	3G8116-01D	SUPPORT ARM ASSY, DS
3	1	3G8116-01P	SUPPORT ARM ASSY, PS
4	2	3X119	3/8-16x1.50, Hex Tap Bolts, Grade 8, Yellow Zinc
5	1	3G8116-02	UNDERBRACE ASSY, F-150
6	1	3G8116-03	F-150 BASE PLATE ASSEMBLY
7	6	3X12	1/4 FLAT WASHER, BLACK
8	6	3X184	1/4-20x0.75, SBHCS, BLACK OXIDE



Tri-Lock Gun Rack

PARTS LIST			
ITEM	QTY	PART NUMBER	DESCRIPTION
1	1	3GVM201-01	RACK BASE WELDMENT
2	1	3GVM001-04	1.5" X 1.5" X 38" LG. ALUM EXTRUSION
3	*2	**G4962-002	BUTT PLATE - BLACK NYLON
4	*2	**G4963-002	RUBBER BUTT PLATE PAD
5	*1	3GVM201-02	LOCK MOUNTING BRACKET - PASSENGER
6	*1	3GVM201-03	LOCK MOUNTING BRACKET - DRIVER
7	*2	**G4904-NPG	R GUN LOCK
8	*2	**3G135	R LOCK BARREL MOUNT BRACKET
9	1	3G7030	UPPER PARTITION MOUNTING BRACKET
10	1	3G7031	LOWER PARTITION MOUNT BRACKET (NOT SHOWN)
11	*1	3G724	LOCK INSERT FOR SHOT GUN
12	*1	4GLB02	GUN SAFE
HARDWARE LIST			
ITEM	QTY	PART NUMBER	DESCRIPTION
13	4	3X149	5/16-18 X 3/4 BSHCS, BK
14	13	3X12	1/4 FLAT WASHER, BLACK
15	7	3X258	1/4-20 X 0.5 BSHCS
16	18	3X259	1/4-20 SLOT NUT (NOT SHOWN)
17	6	3X33	1/4 FLAT WASHER, BLACK
18	6	3X122	1/4-20 x 1" HHMS, Zn
19	7	3X184	1/4-20x0.75, SBHCS, BLACK OXIDE
20	1	3X61	1/4-20 X 3/4 CARRIAGE BOLT
21	1	3X16Z	1/4-20 WHIZ NUT
22	1	01501-PLAIN	EXTRUSION END CAP
23	*4	3X16	1/4-20 WHIZ NUT (NOT SHOWN)
24	1	3X235	5/16-18 X 0.313 LG. BSHCS, BK
25	1	3X233	6-32 SLOT NUT
26	1	NB020-TH	NEODYMIUM MAGNET
27	1	3X232	6-32 X 5/8 FHSCS
28	2	3X231	1/4-20 X 0.5 HEX CAP SCREW
29	1	3X229	0.125 RIVET (NOT SHOWN)
30	1	3G5078R	BLACK FELT 17 3/4" X 31" QTY CONSUMED (NOT SHOWN)
31	1	3G5078R-01	LOCK BOX FELT (NOT SHOWN)
32	1	3G5100	MOMENTARY SWITCH
33	1	G1002	TIMER DELAY MODULE

* - QTY MAY VARY DEPENDING ON CONFIGURATION
 ** - ITEM MAY VARY DEPENDING ON CONFIGURATION

