

INSTALLATION GUIDE

GVM4713

SELF SUPPORTING STAND

2013-2019 FORD UTILITY

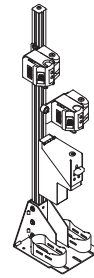
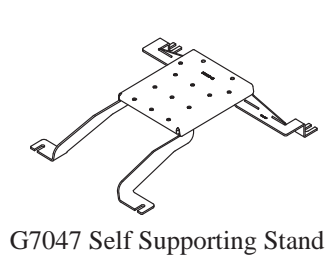
INTERCEPTOR

Pro-gard[™]
PRODUCTS LLC.

STRONG | RELIABLE | SECURE

pro-gard.com
800.480.6680

THESE COMPONENTS ARE REQUIRED TO INSTALL
THE PRO-GARD G7047 SELF SUPPORTING STAND AND TRI-LOCK GUN RACK



Tri-Lock Gun Rack
GVMXXXX

I. Refer to the diagram on the last page of these instructions to verify all parts were received.

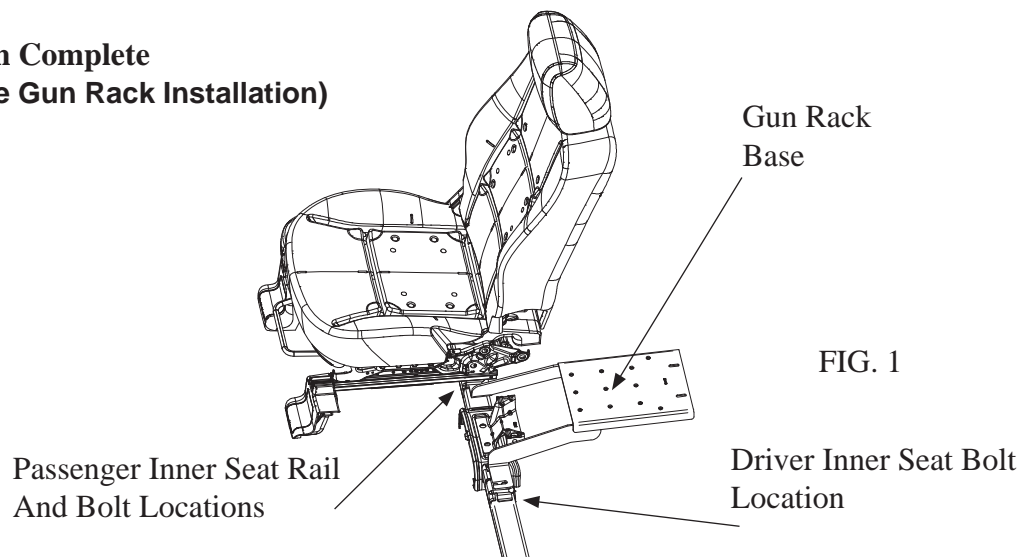
II. The following tools will be required to complete the installation.

- | | |
|---------------------------|----------------|
| A. 7/16" Socket & Ratchet | E. 13mm Socket |
| B. 5/32" Allen Wrench | F. 15mm Socket |
| C. 9/32" Allen Wrench | G. 3/8" Socket |
| D. 5/16" Drill bit | |

III. Installing the self supporting stand.

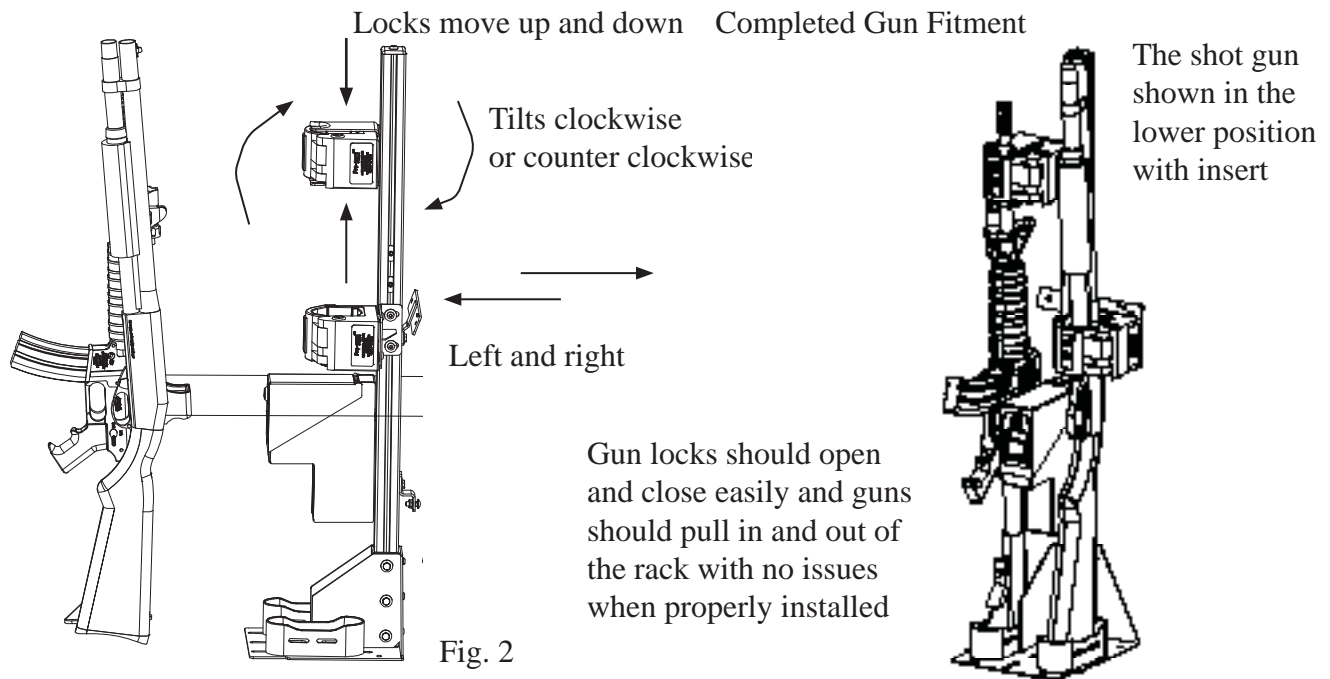
A. Remove the rear lower seat cushion from the back seat. Once the cushion is out of the way, proceed to removing the two 15mm inner nuts that were underneath the cushion. Next, loosen both inner rear seat bolts of the driver and passenger seat so that the seats can be lifted about 1/2". Then install the mounting base (3G7047-01) by pushing the front seats forward. Slide the arms of the mounting base under the seat frame and slide the back portion of the stand over the studs located underneath the seat cushion. Once the mounting base is in place, then tighten the two seat bolts (See FIG 1) followed by tightening the two 15mm nuts at the rear. Reinstall the rear lower seat cushion.

**IV. Base Installation Complete
(Continue with The Gun Rack Installation)**

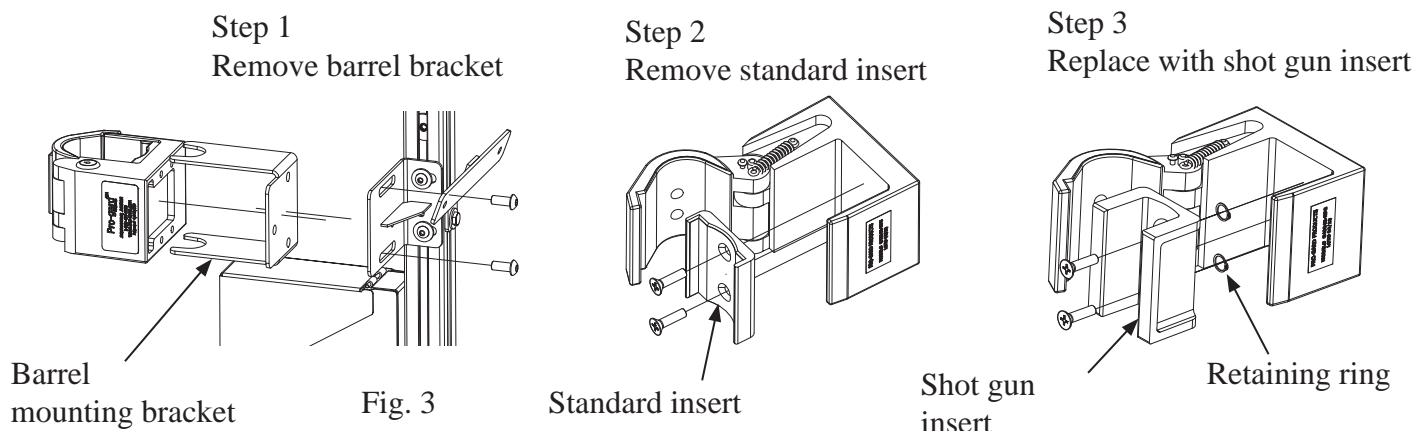


V. Installing the Tri-Lock gun rack (Requires Pro-gard self-supporting mounting base)

- A. Place the intended guns into the gun rack and make adjustments to fit. This will allow more access than when the rack is in the vehicle, but the rack can be adjusted after installed inside the vehicle as well.
- B. The brackets mounting the gun lock are designed to be loosened and adjusted in many directions to accommodate most guns. Fit each gun by loosening the bolts on the gun lock bracketry so the mounting bracket moves freely. Place your gun into the lock and in the desired position. Take a allen wrench to tighten locks in place. (See Fig. 2)



- C. Shot Gun Mounting - The shot gun can be mounted in two ways, by barrel mount or by installation of the shot gun mount insert. To install the shot gun insert, remove the standard insert by opening the lock and unscrewing the two insert bolts with an allen wrench. Remove the retaining ring from the bolt's back side. Replace with shot gun insert (3G724) and reinstall insert bolts and retaining rings on the back side of the insert. Use the two fastener bolt's adjustment to fit the shot gun used in the lock. (See Fig. 3)



VI. Self-Supporting Installation

- A. For self-supporting installations, remove the four bolts that secure the butt plates to the base of the gun rack. Then rest the gun rack to the self supporting stand, loosely attach the gun rack and adjust it and the butt plates as necessary from front to back. (See Fig. 4)

NOTE: *For Optimal Conditions secure the back of the gun rack tight against the seat.*

VII. Lock Box

- A. Open the lock box and loosen the bolts with a 7/16" socket and extension wrench to adjust the box up or down as needed. (Swivel attachment is required) Install supplied black felt over bolts when box position has been fixed. (See Fig. 5)

Lock box
adjustment
bolts

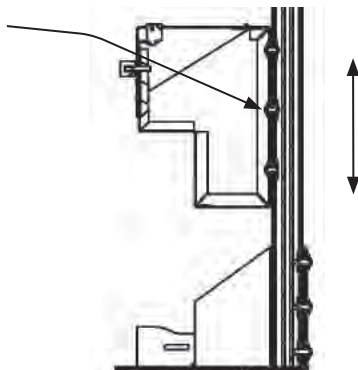


Fig. 5

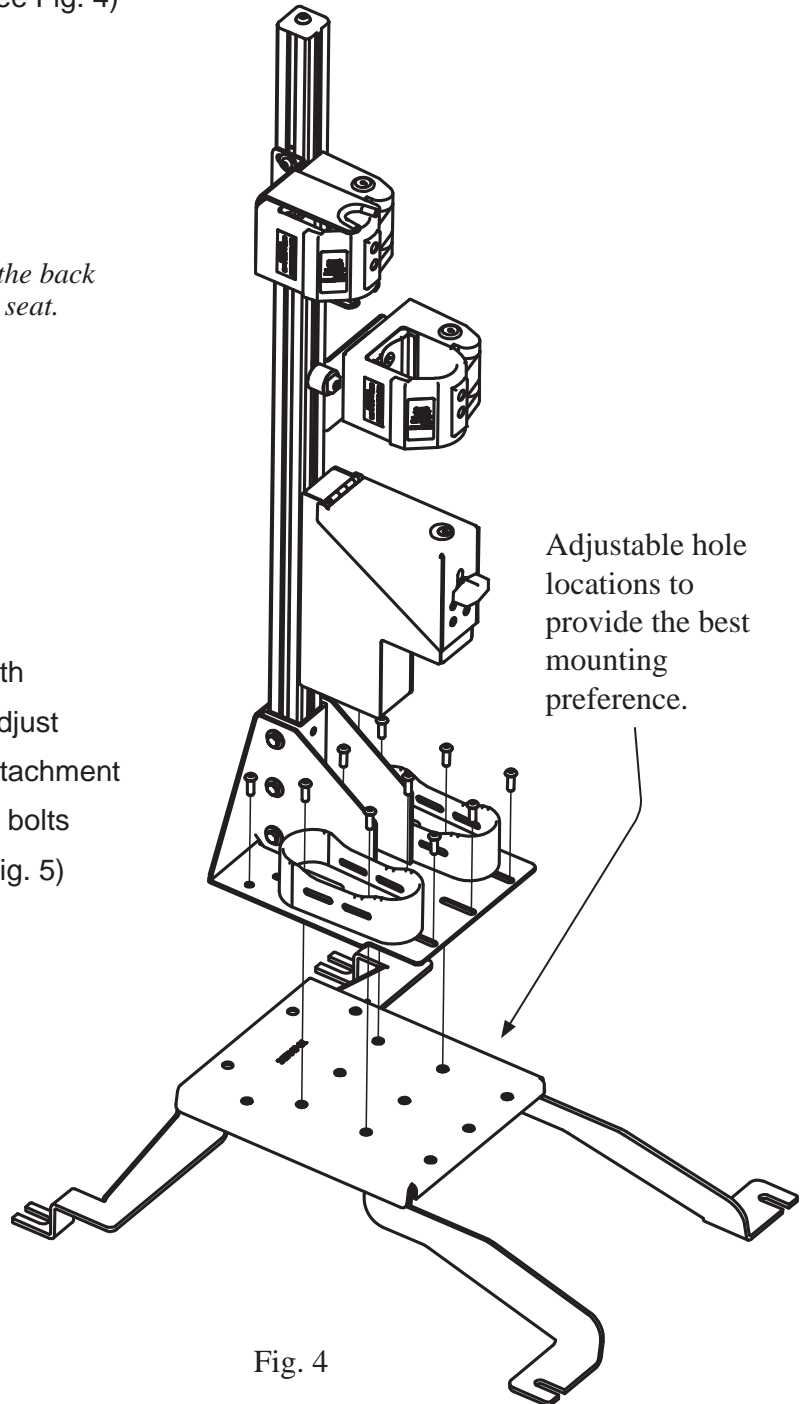


Fig. 4

VIII. Gun lock switch and timer installation.

- A. We suggest mounting the momentary release button in a concealed location that can be easily reached by the officer, but would be hidden in case an unauthorized entry occurs.
- B. Connect the gun lock wiring as shown in the diagram below.

NOTE: *Pro-gard requires the use of a 10 AMP fuse between the power source and gun lock circuit or the warranty will be voided!*

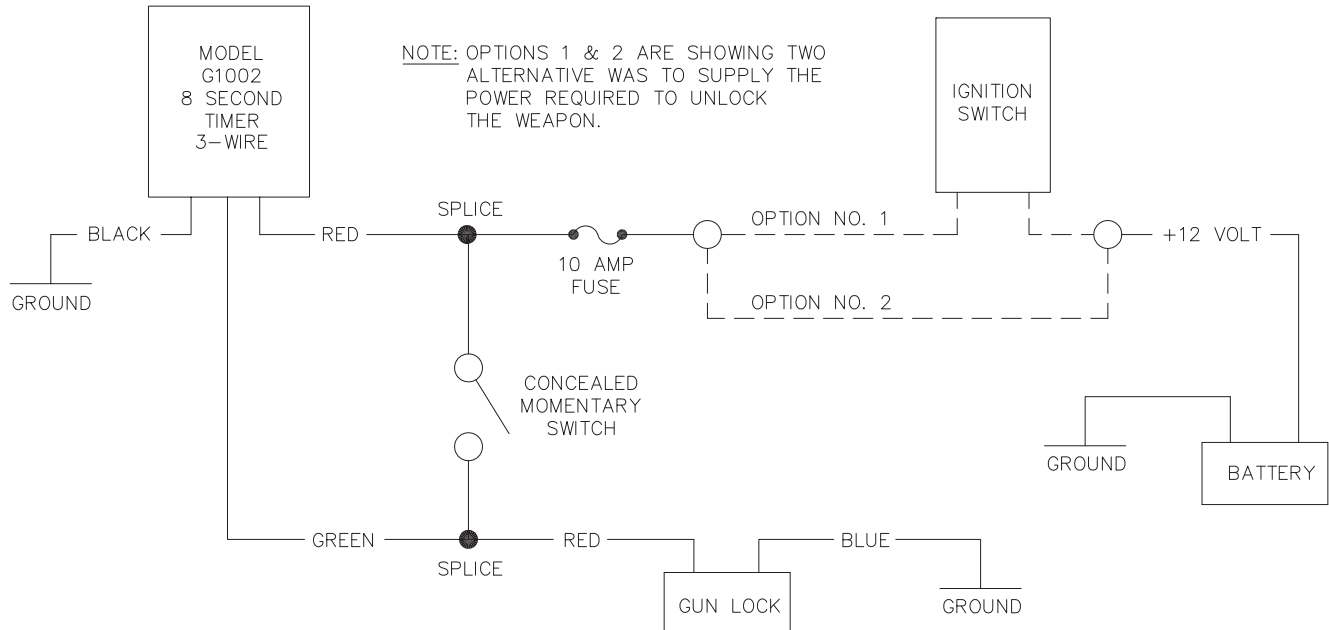


Fig. 6

IX. Lock Head Operating Instructions

- A. To release, grasp the weapon, but do not pull it against the lid of the gun lock.
- B. While depressing and holding the release button (momentary switch), push and then pull the weapon towards the lid of the gun lock to release it from the lock.

NOTE: *One handed operation is possible utilizing the optional 8 second timer. The timer will unlock the lock for 8 seconds following activation of the momentary switch. If the gun is not pulled out of the lock within 8 seconds after activation of the momentary switch, the lock will automatically re-lock.*

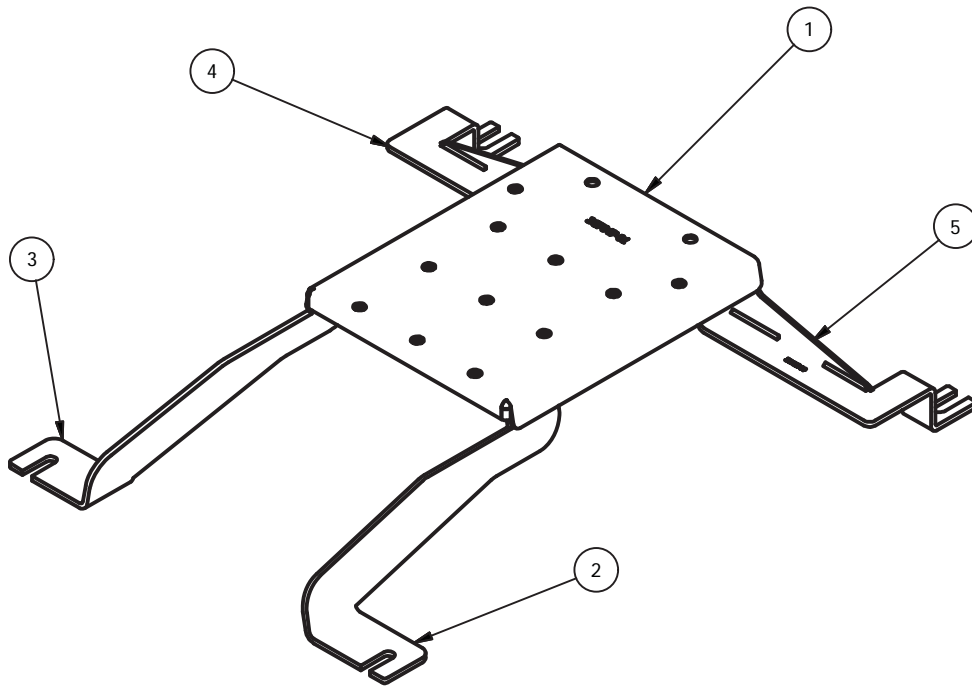
TIP: *If lid of the lock does not release, press in on the lid to release tension and reactivate the release button (unless timer is still active).*

Installation Complete!

Call Pro-gard technical support if assistance is needed. 1-800-480-6680

Self-Supporting Mounting Base

G7047-01



Tri-Lock Gun Rack

PARTS LIST			
ITEM	QTY	PART NUMBER	DESCRIPTION
1	1	1515-LITE-BLACK 80/20 INC	1.5" X 1.5" LOT T SLOTTED 38"
2	1	203001-PLAIN	END CAP W/O FASTNER PLAIN
3	*2	3G135	R LOCK BARREL MOUNT BRACKET
4	2	3G4962-002	BUTT PLATE BLACK NYLON
5	2	3G4963-002	RUBBER BUTT PLATE PAD
6	1	3G5078R	BLACK FELT (NOT SHOWN)
7	1	3G5078R-01	LOCK BOX FELT (NOT SHOWN)
8	1	3G5100	MOMENTARY SWITCH
9	*1	3G724	LOCK INSERT FOR SHOT GUN
10	1	3GVM201-01	RACK BASE WELDMENT
11	*1	3GVM201-02	LOCK MOUNTING BRACKET - PASSENGER
12	*1	3GVM201-03	LOCK MOUNTING BRACKET - DRIVER
13	4	3R50109	TRIM, RUBBER GUNRACK
14	10	3X12	1/4 FLAT WASHER, BLACK
15	6	3X122	1/4-20 x 1" HHMS, Zn
16	4	3X149	5/16-18 X 3/4 BSCHS, BK
17	*4	3X16	1/4-20 WHIZ NUT (NOT SHOWN)
18	7	3X184	1/4-20x0.75, SHCS, BLACK OXIDE
19	1	3X233	06-32 WELD NUT N-D 1114
20	16	3X234	1/4-20 SLOT NUT (NOT SHOWN)
21	1	3X235	5/16-18 X 5/16 LG.BSCHS, BK
22	1	3X242	6-32 X 1-1/2 FLAT HD SOC CAP SCR
23	7	3X258	1/4-20X1/2 BUTT HD SOC SC BLK
24	6	3X33	1/4 FLAT USS WASHER, ZINC
25	1	4G5070P2	SPACER, PLASTIC, 3/4" LONG
26	*1	4GLB02-01	GUN SAFE
27	1	G1002	TIMER DELAY MODULE
28	1	G4904-NPG	R GUN LOCK
29	1	G4904X	LOCK
30	1	N8020-TH	MAGNET 1/2" X 1/2" X 1/4"

* - QTY MAY VARY DEPENDING ON CONFIGURATION
 ** - ITEM MAY VARY DEPENDING ON CONFIGURATION

