

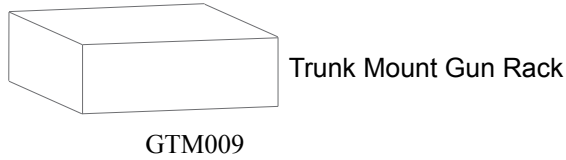
INSTALLATION GUIDE
GTM009 TRUNK MOUNT
SHOTGUN GUN RACK
CHARGER

Pro-gard[™]
PRODUCTS LLC.

STRONG | RELIABLE | SECURE

pro-gard.com
800.480.6680

THESE COMPONENTS ARE REQUIRED
TO INSTALL THE TRUNK MOUNT SHOTGUN GUN RACK



I. The following tools will be required to complete the installation.

- | | |
|------------------------------------|----------------------|
| A. 7/16" and 13mm Socket & Ratchet | C. 9/32" Allen Wrenc |
| B. 5/32" Allen Wrench | D. 7/16" Wrench |

II. Installing The Trunk Mount Shotgun Gun Rack

CAUTION: If the fasteners are removed all the way or one side is not tightened down before loosening the other side, then the trunk may become misaligned. *Marking the location of the hinges with tape in case they do become unaligned to help find the proper hinge placement is recommended.*

- A. Open the trunk of the vehicle and locate the 4 OEM 13mm fasteners securing the trunk to the hinges. Loosen the OEM fasteners on the left side only enough to slide the bracket underneath, then tighten securely before moving onto the right side. Repeat on the other side after the first bracket is securely in place. Remove the end cap from the rack, and slide the rack onto the the "T" nuts that are already attached to the brackets until the rack is centered with the trunk lid. Tighten the "T" nuts securely with an allen wrench. (See Fig. 1)
- B. All brackets on the gun rack are adjustable. The gun should be fit to the gun rack before mounted to the vehicle by using a 5/32" allen wrench. Loosen the mounting bolts and slide brackets to fit the intended gun.

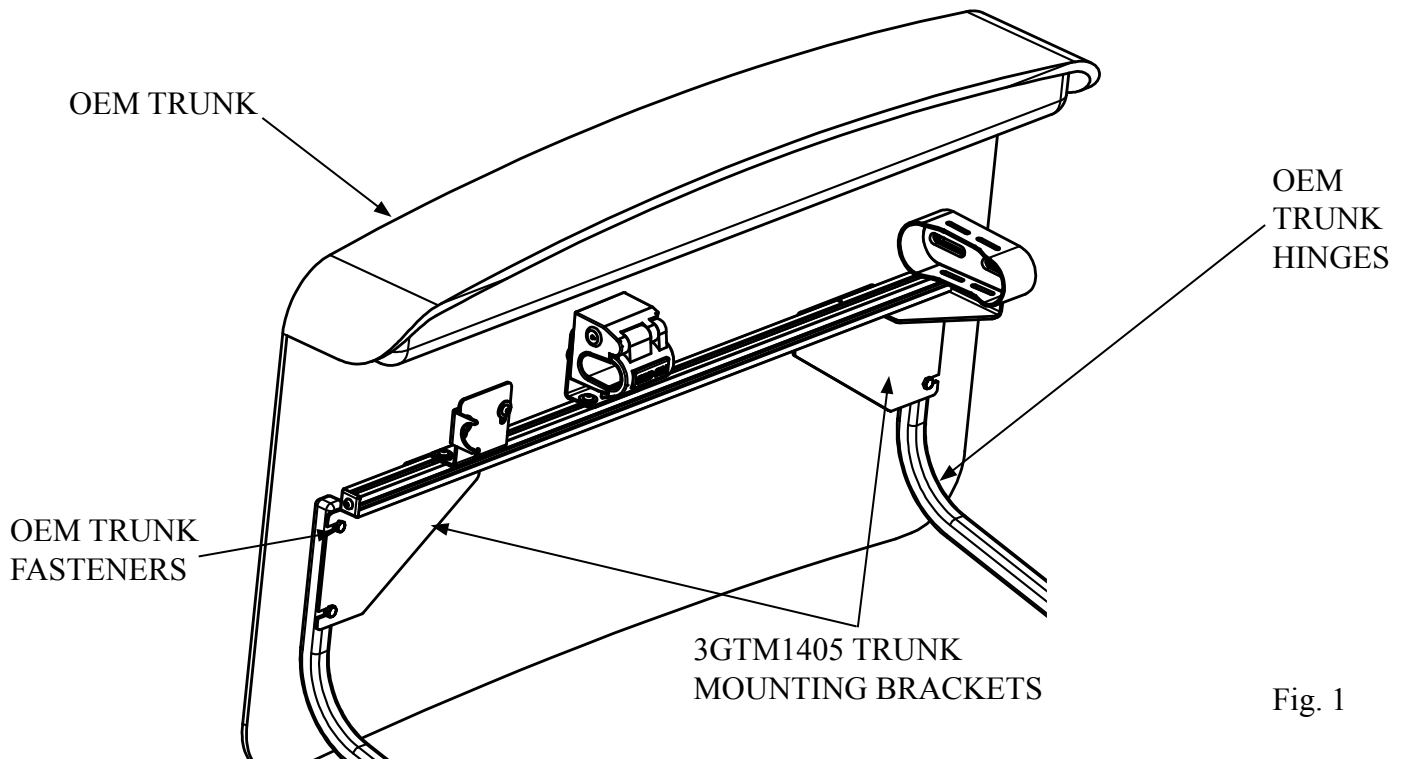


Fig. 1

VI. Gun lock switch and timer installation.

- A. We suggest mounting the momentary release button in a concealed location that can be easily reached by the officer, but would be hidden in case an unauthorized entry occurs.
- B. Connect the gun lock wiring as shown in the diagram below.

WARNING: *Pro-gard requires the use of a 10 AMP fuse between the power source and gun lock circuit or the warranty will be voided!*

VII. Lock Head Operating Instructions

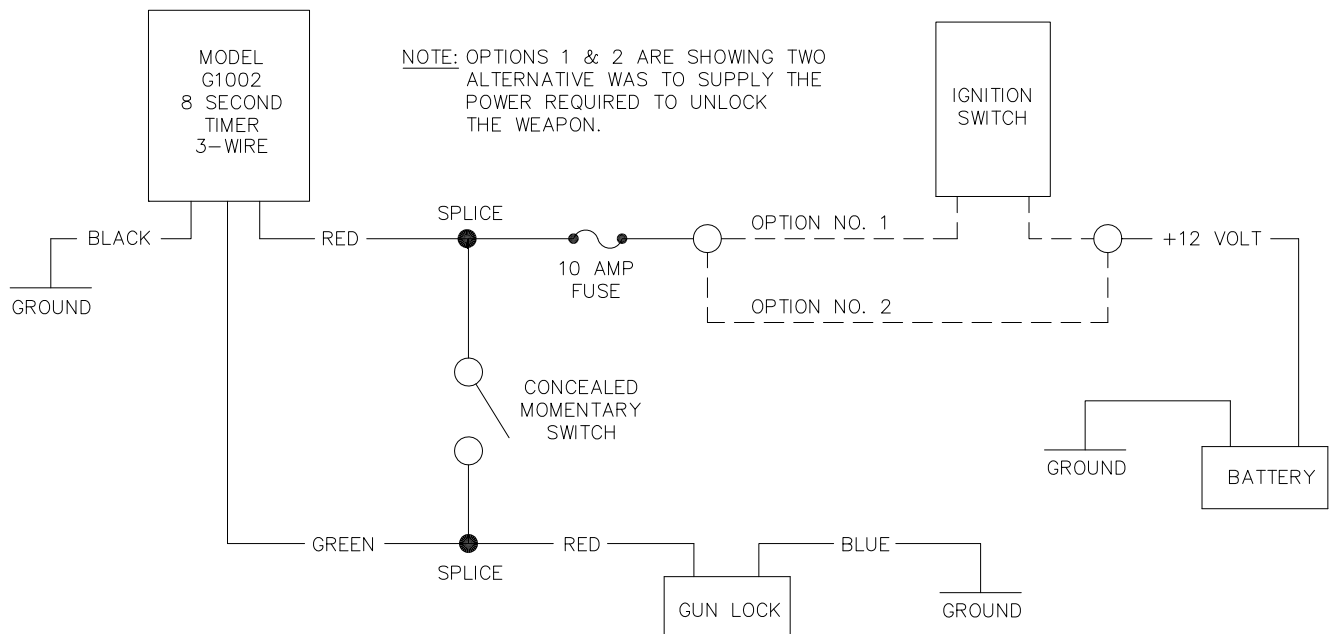
- A. To release, grasp the weapon, but do not pull it against the lid of the gun lock.
- B. While depressing and holding the release button (momentary switch), push and then pull the weapon towards the lid of the gun lock to release it from the lock.

NOTE: *One handed operation is possible utilizing the optional 8 second timer. The timer will unlock the lock for 8 seconds following activation of the momentary switch. If the gun is not pulled out of the lock within 8 seconds after activation of the momentary switch, the lock will automatically re-lock.*

NOTE: *If lid of the lock does not release, press in on the lid to release tension and reactivate the release button (unless timer is still active).*

Installation Complete!

Call Pro-gard technical support if assistance is needed. 1-800-480-6680



PARTS LIST			
ITEM	QTY	PART NUMBER	DESCRIPTION
1	1	1010-BLACK 80/20 INC	1" X 1" T SLOTTED BLACK ANODIZE
2	4	3X16	1/4-20 WHIZ NUT
3	2	3X149	5/16-18 X 3/4 BSHCS, BK
4	6	3X257	1/4-20X3/8 BUT HD SOC SCR BLK
5	12	3X236	1/4-20X1.0DUAL TAB SPOT WELD
6	1	201501-PLAIN	2015-PLAIN W/O 3272 PLASTIC
7	8	3X258	1/4-20X1/2 BUTT HD SOC SC BLK
8	10	3X12	1/4 FLAT WASHER, BLACK
9	2	3GTM1405	MOUNTING BRACKET
10	1	3G4962-002	BUTT PLATE BLACK NYLON
11	2	3X184	1/4-20x0.75, SBHCS, BLACK OXIDE
12	1	3G4963-002	RUBBER BUTT PLATE PAD
13	1	3X230	1/4-20X1/4 BUTT HD SOC CAP SCR
14	2	GVM201-P-006	L-BRACKET
15	1	3G203	GTM 870 BARREL BRACKET
16	1	3G205	GTM 870 BUTT-PLATE BRACKET
17	1	G4904H	LOCK SMALL STYLE H

