

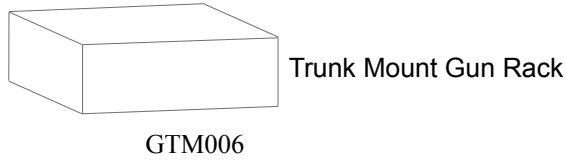
**INSTALLATION GUIDE**  
**GTM006 TRUNK MOUNT**  
**GUN RACK CHARGER**

**Pro-gard**<sup>™</sup>  
PRODUCTS LLC.

STRONG | RELIABLE | SECURE

**pro-gard.com**  
**800.480.6680**

THESE COMPONENTS ARE REQUIRED  
TO INSTALL THE TRI-LOCK GUN RACK



**I. The following tools will be required to complete the installation.**

- A. 7/16" and 13mm Socket & Ratchet
- B. 5/32" Allen Wrench
- C. 9/32" Allen Wrenc
- D. 7/16" Wrench

**II. Installing The Trunk Mount Gun Rack**

**CAUTION:** If the fasteners are removed all the way or one side is not tightened down before loosening the other side, then the trunk may become misaligned. *Marking the location of the hinges with tape in case they do become unaligned to help find the proper hinge placement is recommended.*

- A. Open the trunk of the vehicle and locate the 4 OEM 13mm fasteners securing the trunk to the hinges. Loosen the OEM fasteners on the left side only enough to slide the bracket underneath, then tighten securely before moving onto the right side. Repeat on the other side after the first bracket is securely in place. Remove the end cap from the rack, and slide the rack onto the the "T" nuts that are already attached to the brackets until the rack is centered with the trunk lid. Tighten the "T" nuts securely with an allen wrench. (See Fig. 1)
- B. All brackets on the gun rack are adjustable. The gun should be fit to the gun rack before mounted to the vehicle by using a 5/32" allen wrench. Loosen the mounting bolts and slide brackets to fit the intended gun.

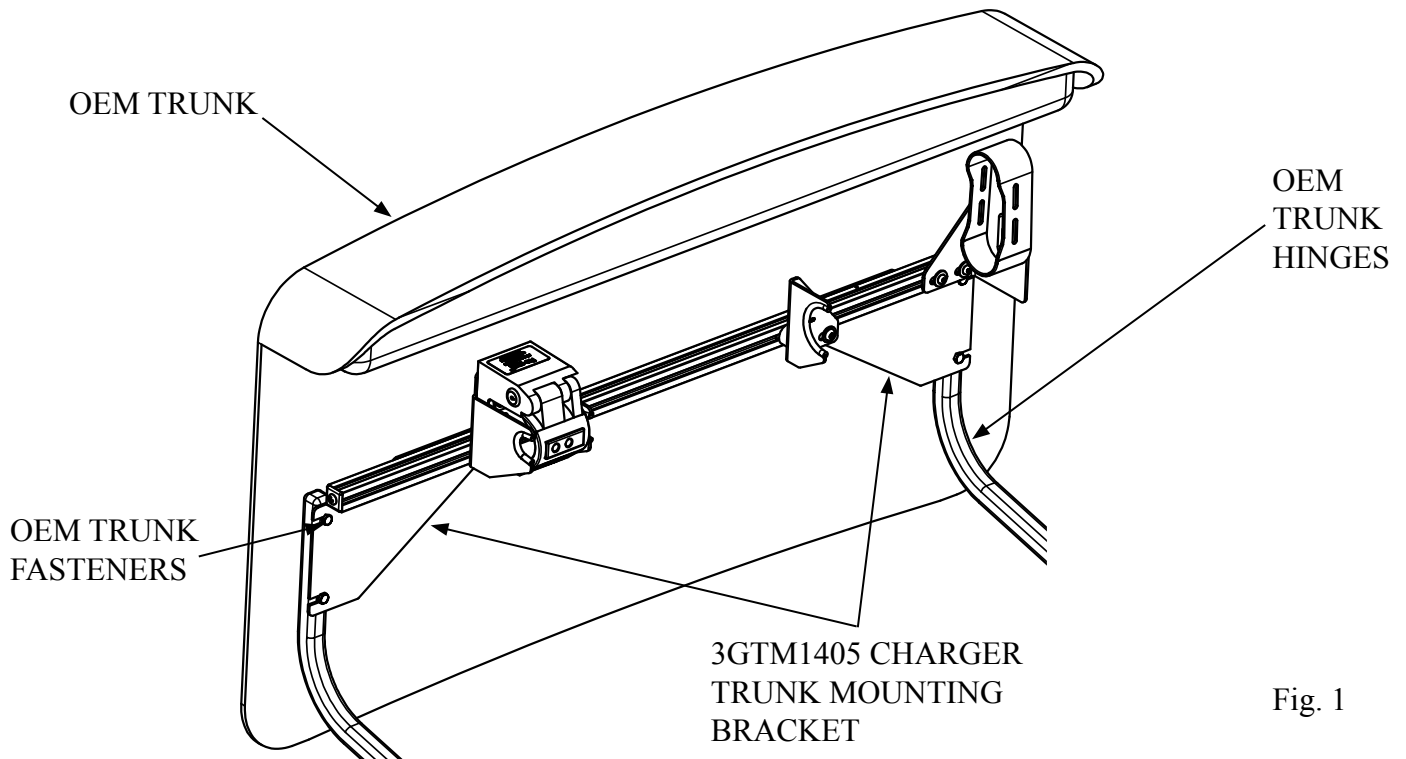


Fig. 1

## VI. Gun lock switch and timer installation.

- A. We suggest mounting the momentary release button in a concealed location that can be easily reached by the officer, but would be hidden in case an unauthorized entry occurs.
- B. Connect the gun lock wiring as shown in the diagram below.

**WARNING:** *Pro-gard requires the use of a 10 AMP fuse between the power source and gun lock circuit or the warranty will be voided!*

## VII. Lock Head Operating Instructions

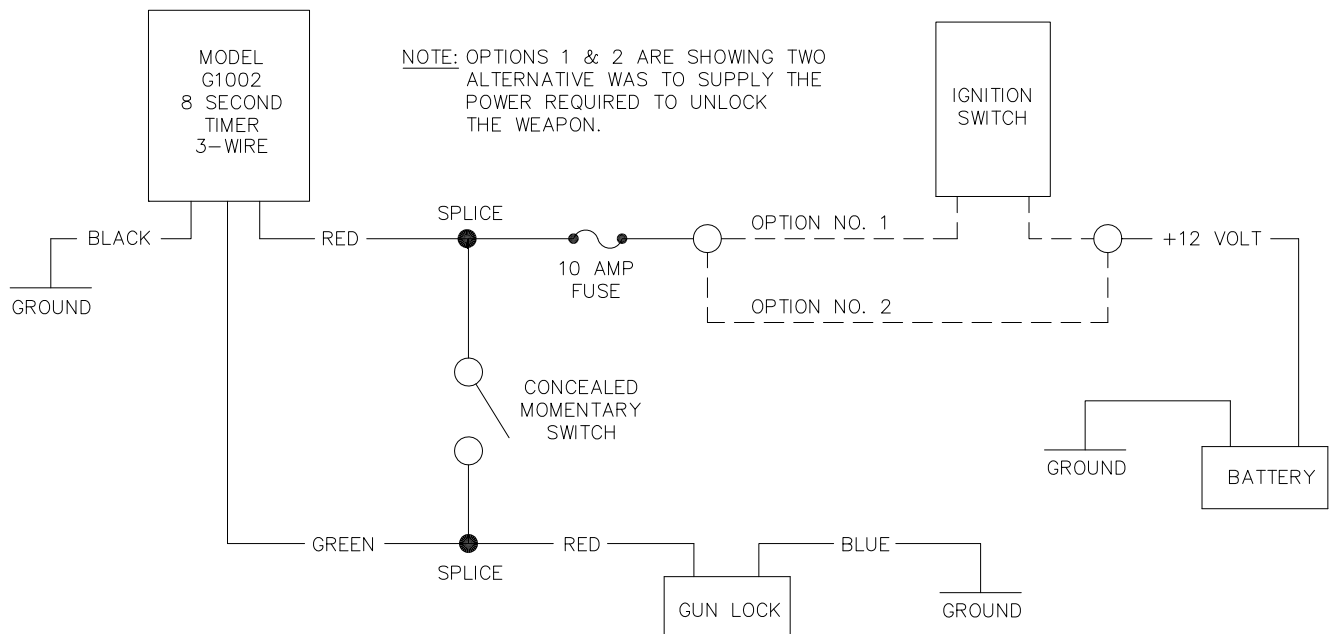
- A. To release, grasp the weapon, but do not pull it against the lid of the gun lock.
- B. While depressing and holding the release button (momentary switch), push and then pull the weapon towards the lid of the gun lock to release it from the lock.

**NOTE:** *One handed operation is possible utilizing the optional 8 second timer. The timer will unlock the lock for 8 seconds following activation of the momentary switch. If the gun is not pulled out of the lock within 8 seconds after activation of the momentary switch, the lock will automatically re-lock.*

**NOTE:** *If lid of the lock does not release, press in on the lid to release tension and reactivate the release button (unless timer is still active).*

### Installation Complete!

**Call Pro-gard technical support if assistance is needed. 1-800-480-6680**



PARTS LIST			
ITEM	QTY	PART NUMBER	DESCRIPTION
1	1	36TM1403	TRIGGER GUARD
2	1	36I22	BUTT PLATE BRACKET
3	2	36TM1405	MOUNTING BRACKET
4	1	G4963	BUTT PLATE
5	1	G4904-NPG	AR GUN LOCK
6	1	36I34	AR BARREL MOUNT BRACKET
7	1	1010-BLACK	ALUMINUM EXTRUSION

PURCHASED PARTS			
ITEM	QTY	PART NUMBER	DESCRIPTION
8	6	3X12	1/4 FLAT WASHER, BLACK
9	2	3X16	1/4-20 WHIZZ NUT
10	2	3X149	5/16-18 X 3/4 BSHCS, BK
11	2	3X07	1/4-22 X 1-1/2 PHIL TRUSS HD MS
12	12	3X236	1/4-20 X (5/16) SLOT NUT
13	2	201501-PLAIN	EXTRUSION END CAP
14	2	3X258	1/4-20 X 1/2 HSBHC SCREW
15	2	3X230	SELF-TAPPING END CAP SCREWS
16	2	4-65070P3	1.00 Black Spacer

