

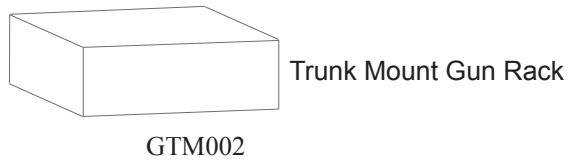
**INSTALLATION GUIDE**  
**GTM002 TRUNK MOUNT**  
**GUN RACK**

**Pro-gard**<sup>™</sup>  
PRODUCTS LLC.

STRONG | RELIABLE | SECURE

**pro-gard.com**  
**800.480.6680**

THESE COMPONENTS ARE REQUIRED  
TO INSTALL THE TRI-LOCK GUN RACK

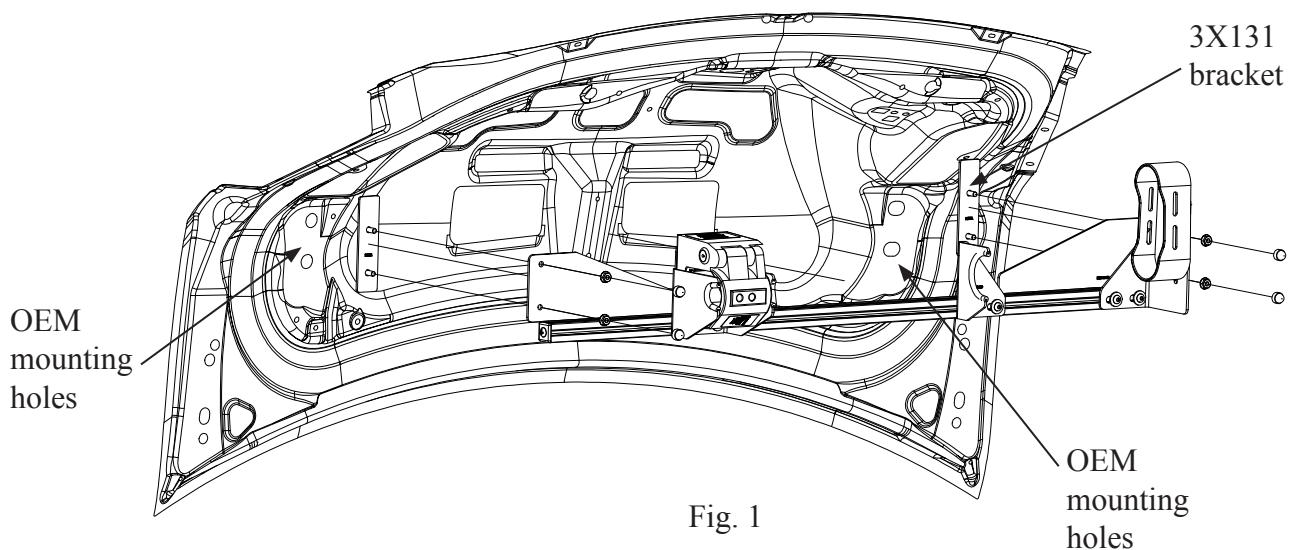


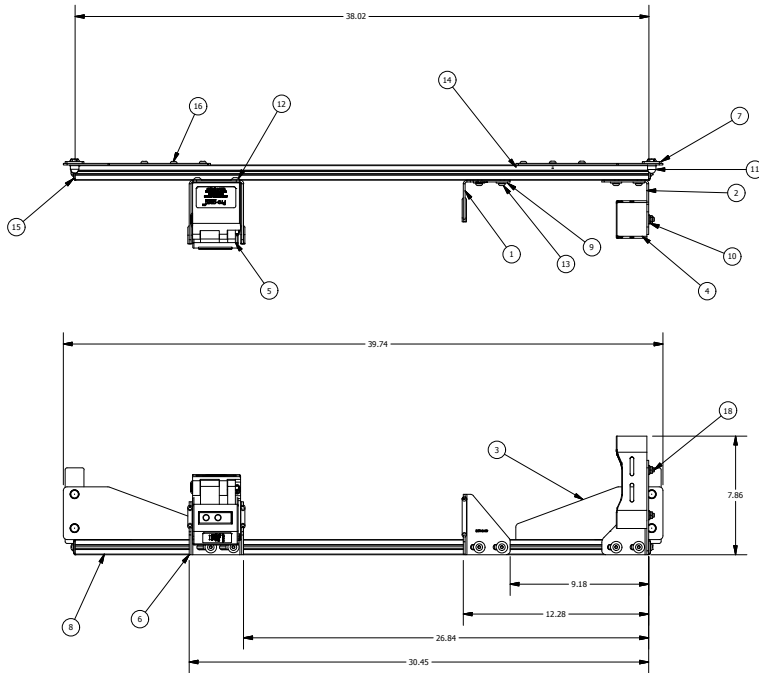
**I. The following tools will be required to complete the installation.**

- A. 7/16" Socket & Ratchet
- B. 5/32" Allen Wrench
- C. 9/32" Allen Wrench
- D. 7/16" Wrench

**II. Installing The Trunk Mount Gun Rack**

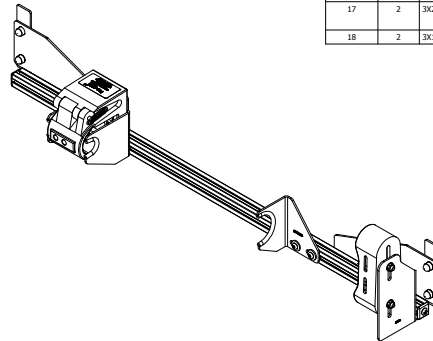
- A. Open the trunk of the vehicle and locate the 2 OEM mounting holes and place the 3X131 brackets behind the vehicle sheet metal. Use the supplied fasteners to bolt gun rack to the vehicle. (See Fig. 1)
- B. All brackets on the gun rack are adjustable. The gun should be fit to the gun rack before mounted to the vehicle by using a 5/32" allen wrench. Loosen the mounting bolts and slide brackets to fit the intended gun.





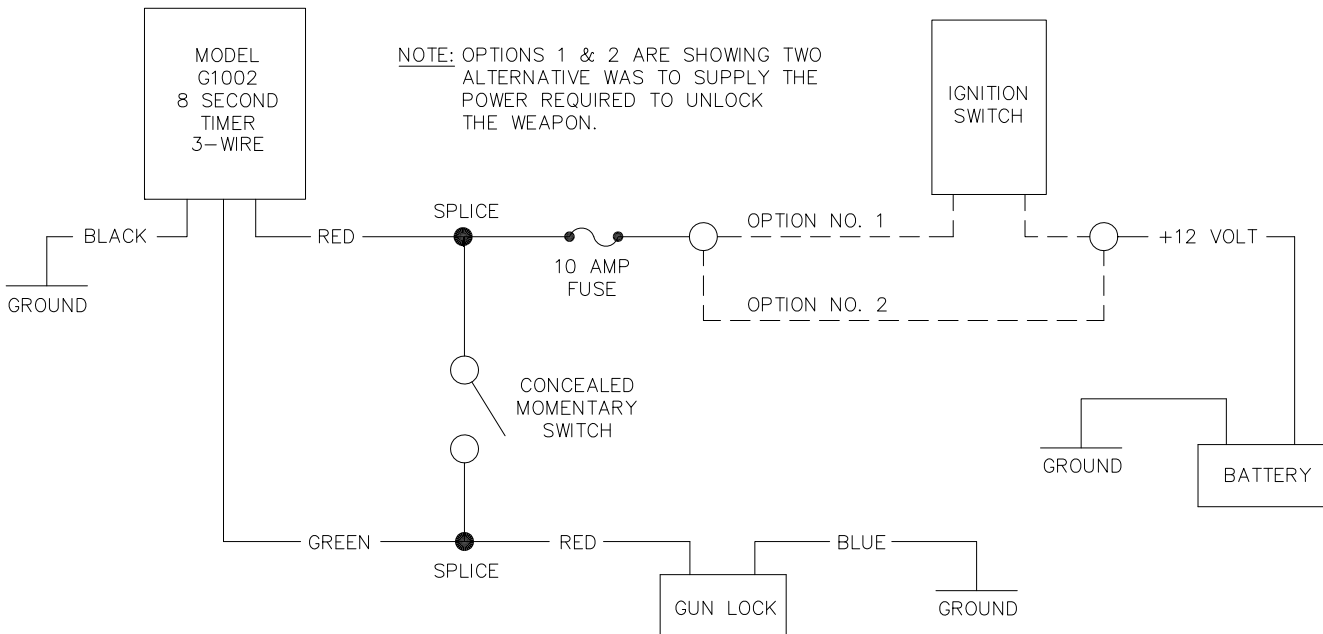
PARTS LIST			
ITEM	QTY	PART NUMBER	DESCRIPTION
1	1	3GTM1403	TRIGGER GUARD
2	1	3G122	BUTT PLATE BRACKET
3	2	3GTM1404	MOUNTING BRACKET
4	1	G4963	BUTT PLATE
5	1	G4904-NPG	AR GUN LOCK
6	1	3G134	AR BARREL MOUNT BRACKET
7	2	3G131-WELDMENT	ATTACHMENT PLATE
8	1	1010	ALUMINUM EXTRUSION
18	2	3X148	1/4-20 x 3/4" LG. SCREW

PURCHASED PARTS			
ITEM	QTY	PART NUMBER	DESCRIPTION
9	6	3X12	1/4 FLAT WASHER, BLACK
10	6	3X18	1/4-20 WHIZ NUT
11	4	3X145	PLASTIC CAP
12	2	3X149	5/16-18 X 3/4 HSBHC, BK
13	6	3x257	1/4-20 X 3/8 HSBHC SCREW
14	12	3X259	1/4-20 SLOT NUT
15	2	201501	EXTRUSION END CAP
16	6	3X258	1/4-20 x 1/2 HSBHC SCREW
17	2	3X230	SELF-TAPPING END CAP SCREWS
18	2	3X148	1/4-20 x 3/4" LG. SCREW



## VI. Gun lock switch and timer installation.

A. We suggest mounting the momentary release button in a concealed location that can be easily reached by the officer, but would be hidden in case an unauthorized entry occurs.



B. Connect the gun lock wiring as shown in the diagram above.

**WARNING:** *Pro-gard requires the use of a 10 AMP fuse between the power source and gun lock circuit or the warranty will be voided!*

## VII. Lock Head Operating Instructions

- A. To release, grasp the weapon, but do not pull it against the lid of the gun lock.
- B. While depressing and holding the release button (momentary switch), push and then pull the weapon towards the lid of the gun lock to release it from the lock.

**NOTE:** *One handed operation is possible utilizing the optional 8 second timer. The timer will unlock the lock for 8 seconds following activation of the momentary switch. If the gun is not pulled out of the lock within 8 seconds after activation of the momentary switch, the lock will automatically re-lock.*

**NOTE:** *If lid of the lock does not release, press in on the lid to release tension and reactivate the release button (unless timer is still active).*

**Installation Complete!**

***Call Pro-gard technical support if assistance is needed. 1-800-480-6680***