

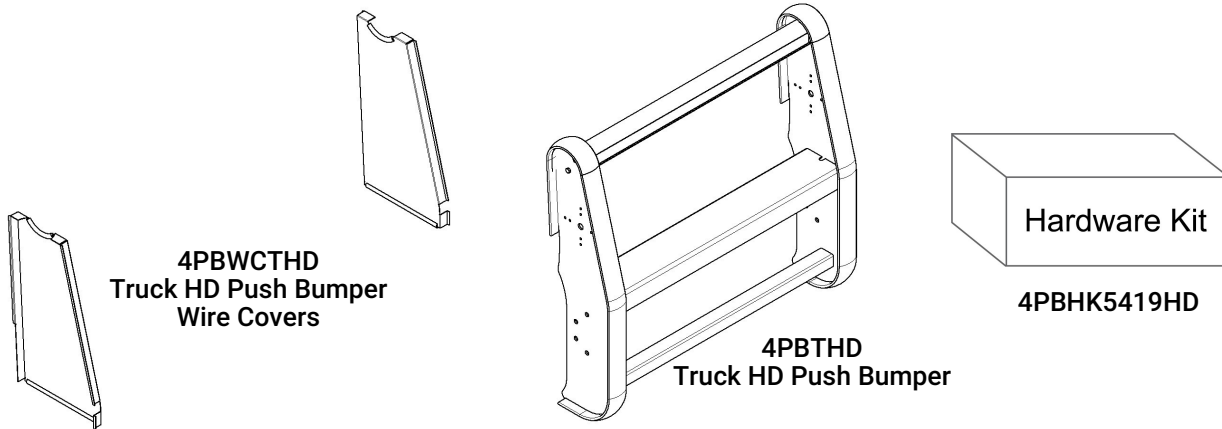
# **INSTALLATION GUIDE**

**2019 SILVERADO  
HD PUSH BUMPER  
PB54SIL19HD**

**Pro-gard**<sup>TM</sup>  
PRODUCTS LLC.

**STRONG. RELIABLE. SECURE.**

**THESE COMPONENTS ARE REQUIRED  
TO INSTALL THE HD PUSH BUMPER**



**I. The following tools will be required to complete the installation**

- A. 5/8" Socket
- B. 3/4" Socket
- C. 5/8" Wrench
- D. 3/4" Wrench
- E. Body saw or rotary cutting tool

**II. Read all instructions and refer to last page to ensure all parts were received**

---

**WARNING:** *Locate all wiring, fuel lines, brake lines, coolant lines, or refrigerant lines before drilling any holes or installing any self-drilling fasteners.*

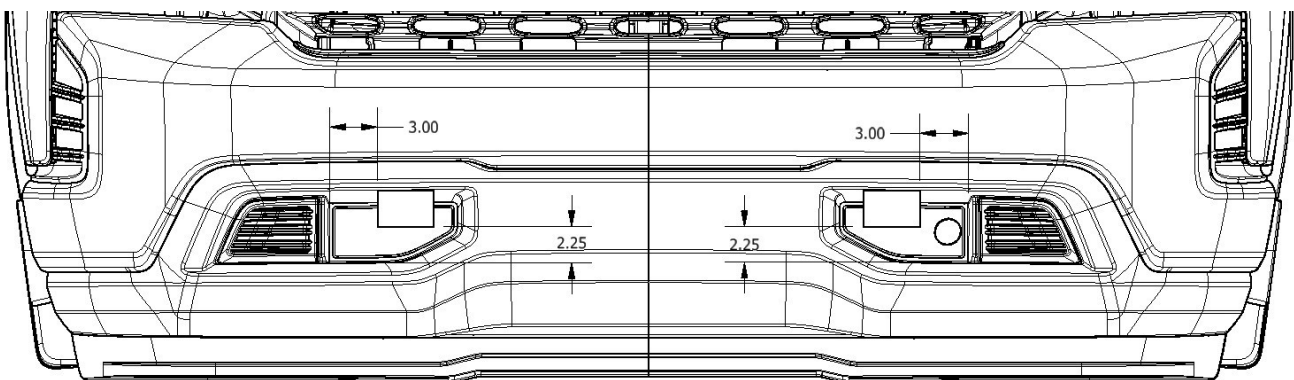
---

**III. Tow Hook Removal**

- A. Remove the OEM tow hooks (per manufacturer) from the frame rails if vehicle is equipped with them.

**IV. Trimming Bumper Fascia**

- A. Cut 2 square holes in the lower plastic fascia as shown below in figure 1. The cutouts are 3.5" wide by 2.25" tall. These cutouts will give 0.25" clearance around the push bumper brackets. This can be done with a body saw or a rotary cutting tool.
- B. The slots are 3.0" out from the vertical edge of the recess and 2.25" up from the horizontal edge of the recess in the plastic fascia as shown in figure 1.



**Figure: 1**

## V. Push Bumper Bracket Installation

- A. Slide the passenger side bracket (3PB5419-03) into the passenger side frame rail. From the outside of the passenger side frame rail push align the forward mounting hole on the bracket with the forward mounting hole in the frame rail. Once the holes are aligned slide the (3X108) bolt through the frame rail and the mounting bracket exiting the inside of the frame rail. Attach the (3X109) nut to the (3X108) bolt; leaving the fasteners loose for ease of installation. Thread the (3X135) bolt into the rearward hole in the side of the bracket through the hole in the outside of the frame rail; leaving the fastener hand tight. Install the (3X135) bolt through the hole in the bottom of the frame rail into the bottom of the bracket.
- B. Repeat previous step for driver side bracket (3PB5419-04).
- C. Make sure all fasteners are loose and not torqued down.

## VI. Push Bumper Installation

- A. Carefully align the four holes located on each side of the lower portion of the push bumper (4PBTHD) with the drivers side mounting bracket (3PB5419-04) and the passenger side mounting bracket (3PB5419-03). Secure the push bumper to the brackets with the (3X174) nuts and (3X220) nuts.
- B. Using a 3/4" socket wrench and a 3/4" wrench tighten the bumper to the brackets.

## VII. Tighten Brackets To Truck

- A. Using the socket wrenches (3/4" and 5/8") along with the regular wrenches (3/4" and 5/8") tighten all fasteners down holding the brackets to the frame rails.

## VIII. Install Wire Covers

- A. Install wire covers per their included install instructions.

### **Installation complete**

If you have any problems with this installation or have any questions please call (800-480-6680) and ask for technical assistance.

PARTS LIST				
ITEM	QTY	PART NUMBER	REVISION NUMBER	DESCRIPTION
1	1	4PBTHD		TRUCK PUSH BUMPER
2	1	3PB5419-04	B	PUSH BUMPER BRACKET, DS, 2019 SILVERADO
3	1	3PB5419-03	B	PUSH BUMPER BRACKET, PS, 2019 SILVERADO

HARDWARE LIST				
ITEM	QTY	PART NUMBER	REVISION NUMBER	DESCRIPTION
4	8	3X220		1/2-13 NUT STOVER FLANGE GR8 B
5	8	3X174		1/2-13 X 1" HHCS, GR8, Blk Zn/C
6	2	3X108		7/16-14 X 3.75" GRADE 8 HEX CAP SCREW, YELLOW ZINC
7	2	3X109		7/16-14 SERRATED FLANGE NUT, CASE HARD, ZINC
8	4	3X135		7/16-14 SERRATED FLANGE BOLT, GRADE 8.2, ZINC

