

INSTALLATION GUIDE

P56XXC11

STANDARD PARTITION

2011 - CURRENT

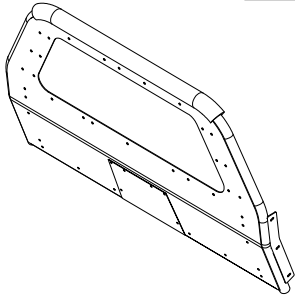
DODGE CHARGER

Pro-gard[™]
PRODUCTS LLC.

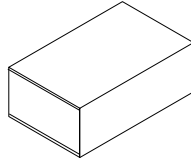
STRONG | RELIABLE | SECURE

pro-gard.com
800.480.6680

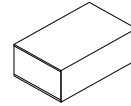
THESE COMPONENTS ARE REQUIRED
TO INSTALL THE PRO-GARD PARTITION SYSTEM



STANDARD PARTITION



HARDWARE KIT



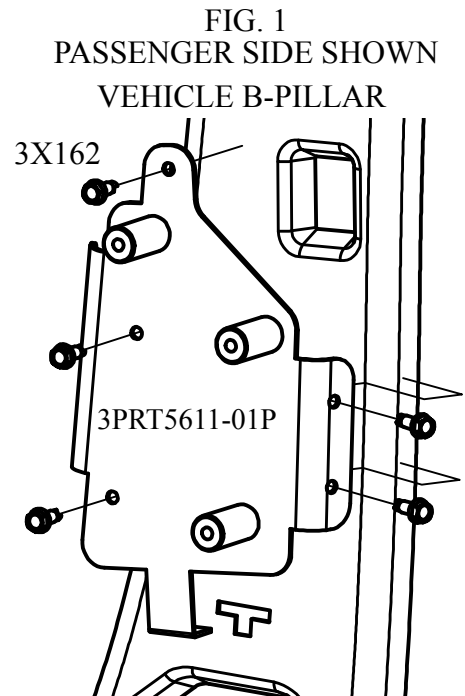
WING KIT

- I. Refer to the diagram on the last page of these instructions to verify all parts were received.
- II. The following tools will be required to complete the installation.
 - A. 1/4" drive ratchet with 7/16" socket
 - B. 3/16" Allen key
 - C. 1" Hole saw
 - D. Drill with 3/8" Socket
 - E. T15 Torx Driver
- III. Read all instructions carefully before starting the assembly process.

NOTE: *Locate all Wiring, Fuel Lines, Brake Lines, and/or Cooling Lines before drilling holes or installing Fasteners.*

IV. B-Pillar Bracket Installation

- A. Remove B-pillar trim on the Passenger-side. This will be reinstalled after bracket installation.
Note: From the head liner down the trim is held in place by snap fasteners but the top of the trim panel is held in place with a screw. Pull head liner down and away from the trim panel and use a T15 torx driver to remove the screw.
- B. Place the Passenger B-pillar bracket (3PRT5611-01P) against the B-pillar face (See Fig. 1).
- C. Orientate the B-pillar bracket so the bottom tab fits into the "T" slot on the B-pillar and the formed edges wrap around the B-pillar. Using the supplied Self-Drilling screws (3X162) secure it to the B-pillar.



- D. Using the Driver B-pillar bracket (3PRT5611-01D) repeat process on Driver-side of the vehicle.

V. Drilling B-pillar Trim Panels

A. Remove the sound insulation located inside the Driver-side trim panel, carefully align the template per their included instructions. Using a 1" Hole Saw drill the clearance holes as marked on the template. Replacment of sound insulation is optional.

B. Replace the trim panel, insuring that the standoff's protrude through the panel.

C. Repeate process on the Passenger-side trim panel.

VI. Installing Partion Mounting Plates

A. Attach the Passenger-side Mounting Plate (3PRT5611-02P) using the supplied 5/16-18 x 3/4" Button head screws (3X149) to the standoff's protruding through the B-pillar trim (See Fig. 2). Hand tighten only.

B. Attach the Driver-side Mounting Plate (3PRT5611-02D) using the supplied 5/16-18 x 3/4" Button head screws (3X149) to the standoff's protruding through the B-pillar trim (See Fig. 2). Hand tighten only.

VI Partition Installation

A. Due to the weight and size of the partition, assistance from another party is highly recommended. Insert the partition into the vehicle, lift and position the partition so that it alines with the Partition Mounting Plates, using the supplied 1/4-20 x 3/4" Carriage Bolts (3X36) and 1/4-20 Whiz nuts (3X16Z) secure the Partition to the Mounting Plates (See Fig. 3). Hand tighten only.

B. Audit the overall installation for fit and function of all components. Once satisfied, insure all fasteners are tight.

VII. Air Bag wing Installation

A. The Filler Wings and their mounting hardware are packed in separate box marked Wing Kit. Install the Filler Wings according to thier included Install Instrutions.

VIII. Installation is now complete.

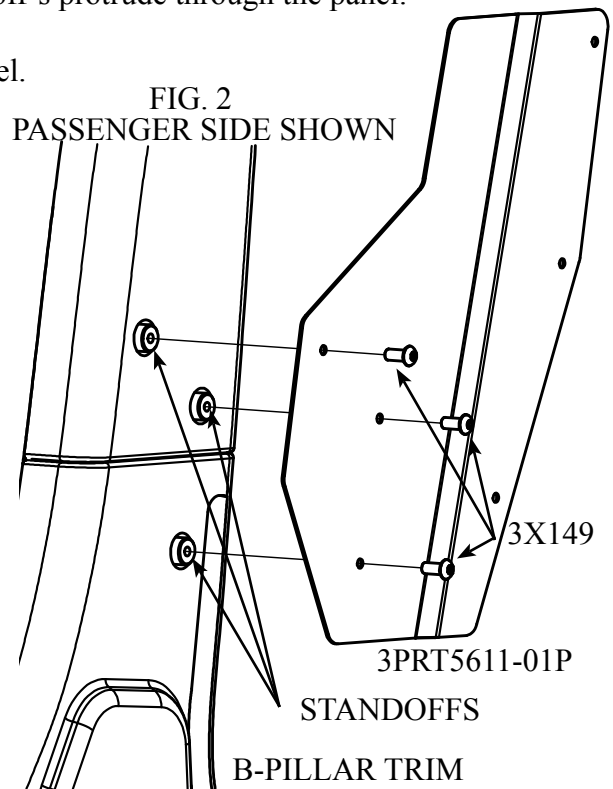
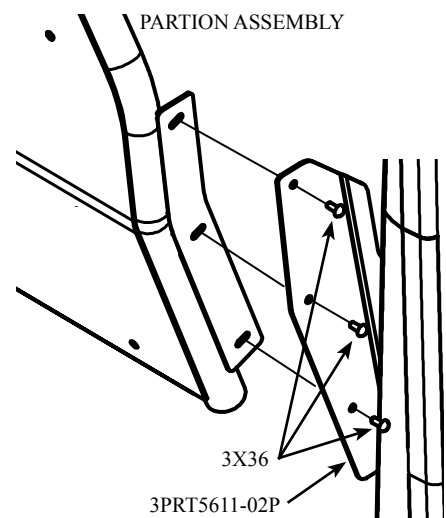


FIG. 3 PASSENGER SIDE SHOWN



PARTS LIST			
ITEM	QTY	PART NUMBER	DESCRIPTION
1	1	VARIES	PARTITION ASSEMBLY
2	1	3PRT5611-01D	B-PILLAR BRACKET, DRIVER
3	1	3PRT5611-01P	B-PILLAR BRACKET, PASSENGER
4	1	3PRT5611-02D	PARTITION MOUNTING PLATE, DRIVER
5	1	3PRT5611-02P	PARTITION MOUNTING PLATE, PASSENGER
6	10	3X16Z	SELF DRILL SCREW, #14 x 3/4"
7	6	3X149	BHCS, 5/16-18 x 3/4"
8	6	3X16Z	LARGE WHIZ NUT, 1/4-20
9	6	3X61	CARRIAGE BOLT, 1/4-20 x 3/4"
10	1	3SP5611-01	*OPTIONAL - STANDARD SEAT PROTECTOR
11	1	3RP5611-01	*OPTIONAL - RECESSED PANEL
12	1	3SP5611-02D	*OPTIONAL - SPLIT SEAT PROTECTOR, DRIVER
13	1	3SP5611-02P	*OPTIONAL - SPLIT SEAT PROTECTOR, PASSENGER
14	25	3X145	BLACK PLASTIC CAPS

