

INSTALLATION GUIDE
BALLISTIC DOOR PANEL
'2011 - CURRENT
DODGE CHARGER

Pro-gard[™]
PRODUCTS LLC.

STRONG | RELIABLE | SECURE

pro-gard.com
800.480.6680

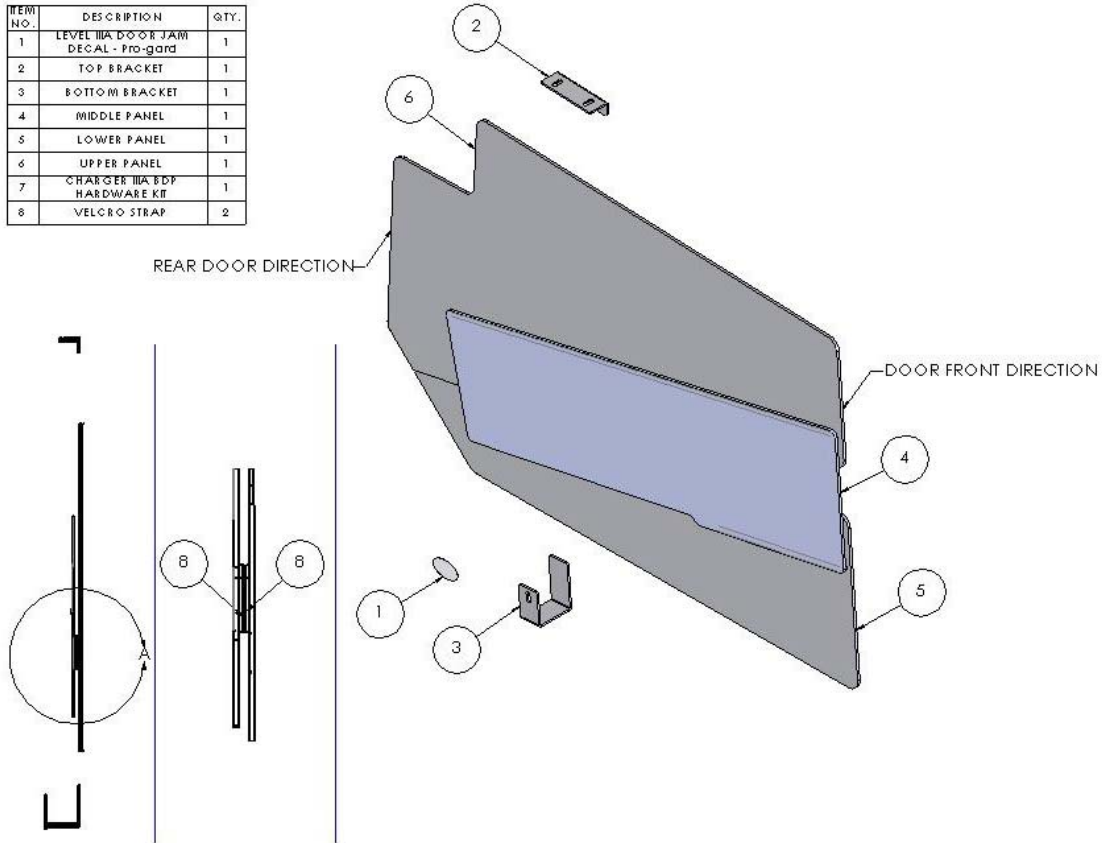
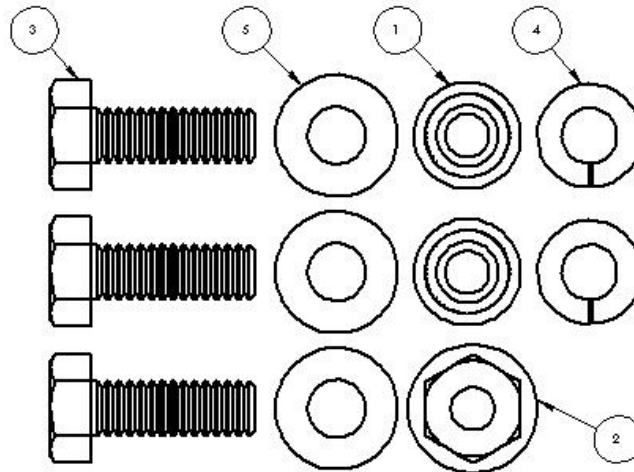


Figure 1: DS Ballistic Door Panel

ITEM NO.	DESCRIPTION	QTY.
1	1/4-20 RIVET NUT, TYPE AL, GRIP RANGE .027-.165	2
2	1/4-20 SERRATED FLANGE NUT	1
3	1/4-20 X 3/4 HHCS	3
4	1/4 LOCK WASHER, (.260/.487/.062 min), HD SPRING LOCK	2
5	1/4 FLAT WASHER, (.266/.563/.04-.06)	3



INSTALLATION INSTRUCTIONS:



Figure 3, 4: Remove door trim. Disconnect speaker



Figure 5,6: Push in tab to remove window from track. Remove glass from door.



Figure 7: Remove door insert.



Figure 8: Disconnect outside door latch cable.

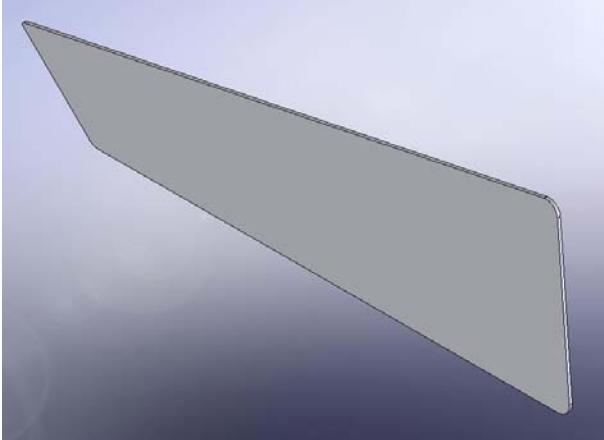


Figure 9: Place lower panel in first within lower portion of door.

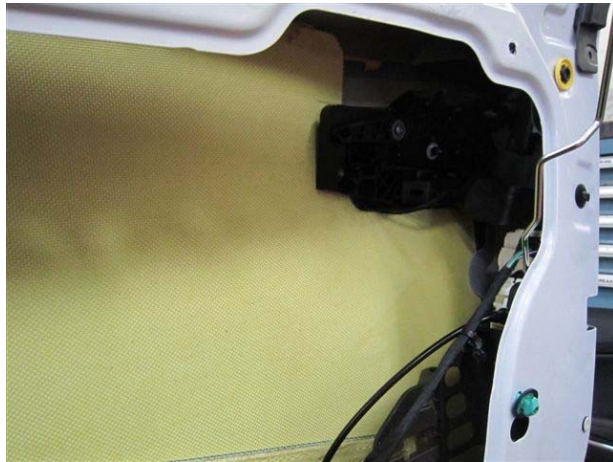
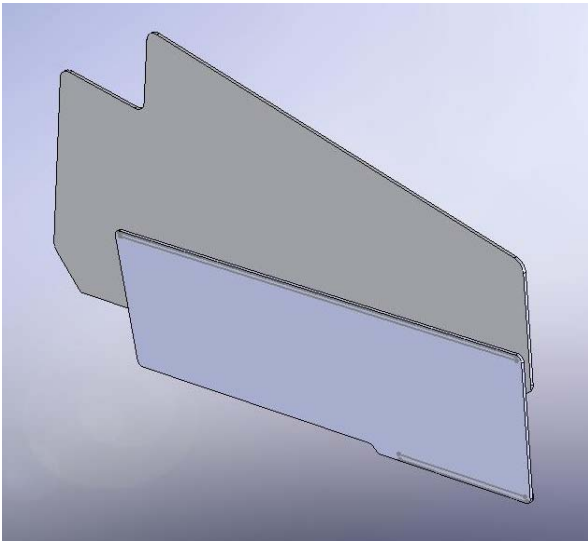


Figure 10, 11: Place upper panel into door front direction first and push to front of door. Position so that top panel is behind crash bar and sewn portion rests over crash bar. Position of upper panel to rear of door shown in Figure 11 (relationship to exterior door handle assembly).

Once both panels are shifted to the rear of the door, place sewn on portion of upper panel over crash bar and adhere to lower panel.

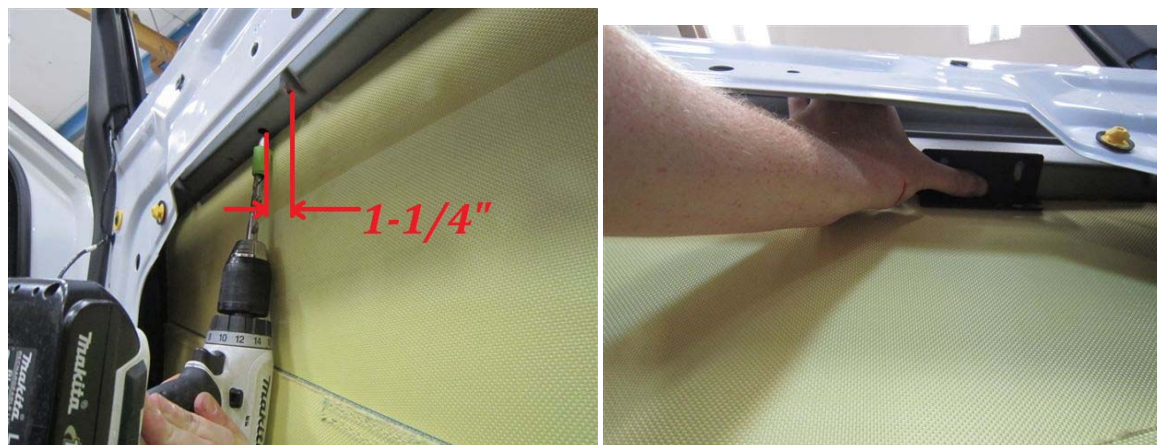


Figure 12, 13: Drill hole in top door brace for riv nut located as shown. Proper depth can be determined by utilizing Top Bracket (panel should be pushed towards the outside of the exterior side of the door in order to provide proper clearance between the panel and window when installed).

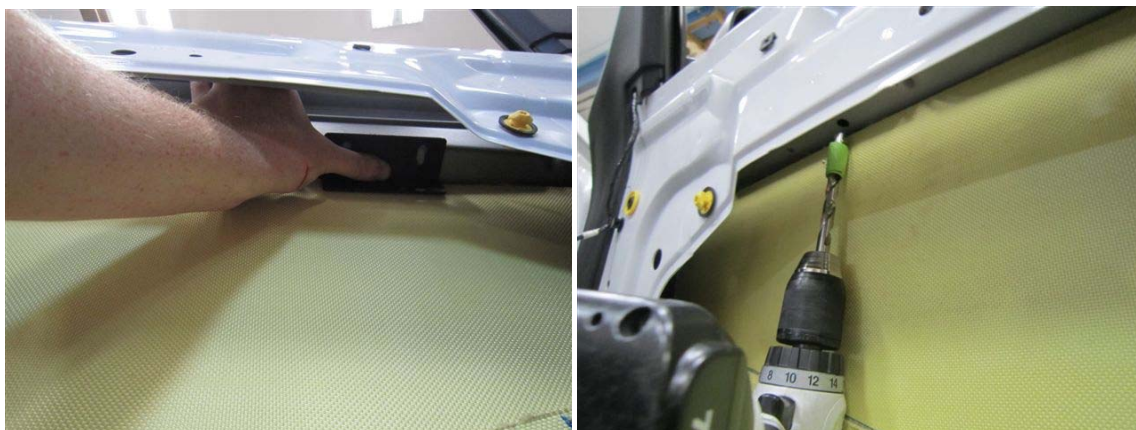


Figure 14, 15: Second hole for mounting Upper Bracket can, again, be located properly utilizing Upper Bracket in relationship to the first hole.



Figure 16, 17: Install riv nuts and assemble Upper Bracket to door.



Figure 18, 19: Assemble lower bracket through use of existing hole in door as shown.

Reinstall window. Re-attach all cables and wires. **Check that there are no interference issues between the panel and window.**



Figure 20, 21: Reinstall door panel and speaker.



Figure 22, 23: Reinstall door trim and apply door trim decal as shown.