

INSTALLATION GUIDE

**2020 - CURRENT
FORD POLICE INTERCEPTOR UTILITY
BARRIER
B4702UINT20
B4705UINT20**

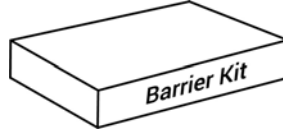
Pro-gard[™]
PRODUCTS LLC.

STRONG. RELIABLE. SECURE.

**THESE COMPONENTS ARE REQUIRED
TO INSTALL THE BARRIER**



4BAR472001



4BAK472000



4WIK472010

I. The following tools will be required to complete the installation

- | | | |
|--------------------|-------------------|---------------------|
| A. T55 Torx driver | C. 18mm socket | E. 3/16" hex wrench |
| B. 8mm socket | D. 1.25" hole saw | F. 1/2" wrench |

II. Read all instructions and refer to the Parts List to ensure all parts were received.

WARNING: *Locate all wiring, fuel lines, brake lines, coolant lines, and refrigerant lines before drilling any holes or installing any self-drilling fasteners.*

III. Cargo Area Preparation

- A. Remove the rear load floor from above the spare tire.
- B. Using a T55 Torx driver remove the two bolts from the remaining front section of the load floor.
- C. Remove the front section of the load floor.
- D. Using a 8mm socket remove the two bolts attaching the rear sections of foam to the vehicle.
- E. Remove the two rear sections of foam.
- F. Unplug the OEM upfitter power terminal and feed all wires to the underside of the foam.
- G. Remove the front section of foam.

IV. Install Barrier Support Brackets

- A. Remove the two front driver side bolts from the OEM X-brace.
- B. Place (1) Barrier Support Bracket [3BAR472011] on top of the X-brace with the standoffs towards the rear of the vehicle. Set the front edge of the bracket just behind the front edge of the X-brace. Reinstall the OEM bolts and torque to factory specifications.
- C. Remove the two rear driver side bolts from the OEM X-brace.
- D. Place the Driver Side Barrier Bracket [3BAR472003] on top of the X-brace with the tall part of the bracket towards the front of the vehicle. Reinstall the OEM bolts and torque to factory specifications.
- E. Repeat steps A. - D. for the passenger side with the second Barrier Support Bracket [3BAR472011] and the Passenger Side Barrier Bracket [3BAR472005].
- F. Figure 1 on the following page shows the brackets installed.

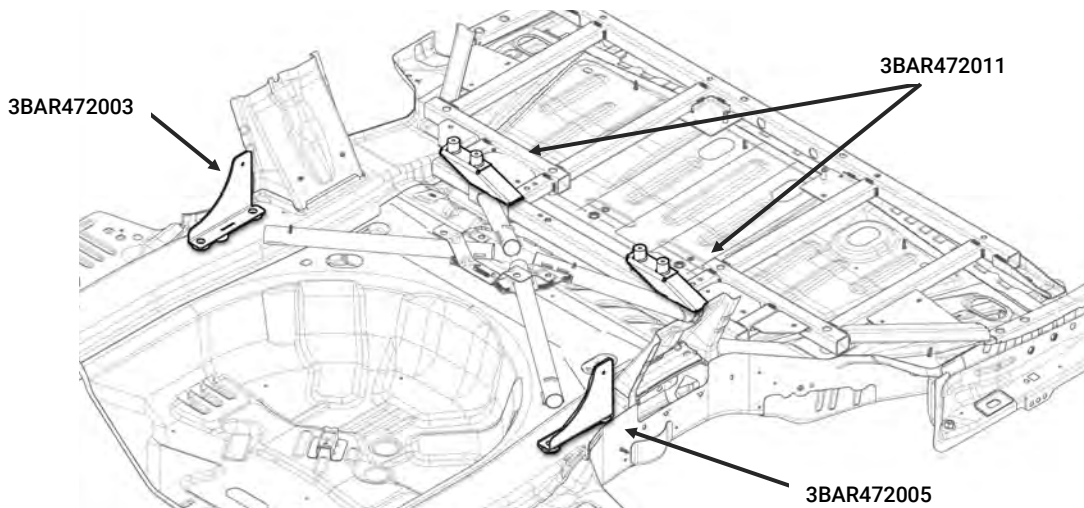


Figure 1

V. Reinstall the Load Floor

- A. Test fit the front section of foam and mark the locations that need to be trimmed to fit around the Barrier Support Brackets.
- B. Trim and reinstall the front foam section.
- C. Reinstall the two rear sections of foam and tighten the two bolts using a 8mm socket.
- D. Place the front section of the load floor into the vehicle and mark the locations where the Barrier Support Brackets contact the underside of the floor.
- E. Using a 1.25" hole saw, drill the necessary clearance to allow the front section of the load floor to sit in place.
- F. Reinstall the front section of the load floor and install the two fasteners that secure it using a T55 Torx driver.
- G. Reinstall the rear section of the load floor. Trim, if necessary, around the rear Barrier Brackets.

VI. Prepare the Barrier

- A. Locate the Wing Support Bracket [3BAR472014], (1) Barrier Bracket [3BAR472004], (1) Barrier Diagonal Support [3BAR472008], (4) Button Head Screws [3X611], and (4) whiz nuts [3X166]. See Figure 2 for an illustration of the assembled components.
- B. Place the side of the Barrier Bracket [3BAR472004] with two holes in it against the back side of the barrier. Align the two holes in the bracket with the corresponding holes on the driver side just underneath the window making sure the side with a single hole in it is towards the outside of the vehicle. Loosely secure in place with (2) [3X611] screws and (2) [3X166] whiz nuts.
- C. Slide the Barrier Diagonal Support [3BAR472008] between the barrier and the Barrier Bracket installed in the previous step. Insert a [3X611] screw through the Barrier Bracket, Barrier Diagonal Support, and the Barrier.
- D. Position the Wing Support Bracket [3BAR472014] flush with the front of the barrier. Slide the lower hole of the bracket over the [3X611] screw installed in the previous step. Loosely secure in place with (1) [3X166] whiz nut on the lower screw and (1) [3X611] screw and (1) [3X166] whiz nut in the upper hole.
- E. Repeat steps A. - D. on the passenger side using the passenger Wing Support Bracket [3BAR472013], the second Barrier Bracket [3BAR472004], the second Barrier Diagonal Support [3BAR472008], (4) more Button Head Screws [3X611], and (4) more whiz nuts [3X166].

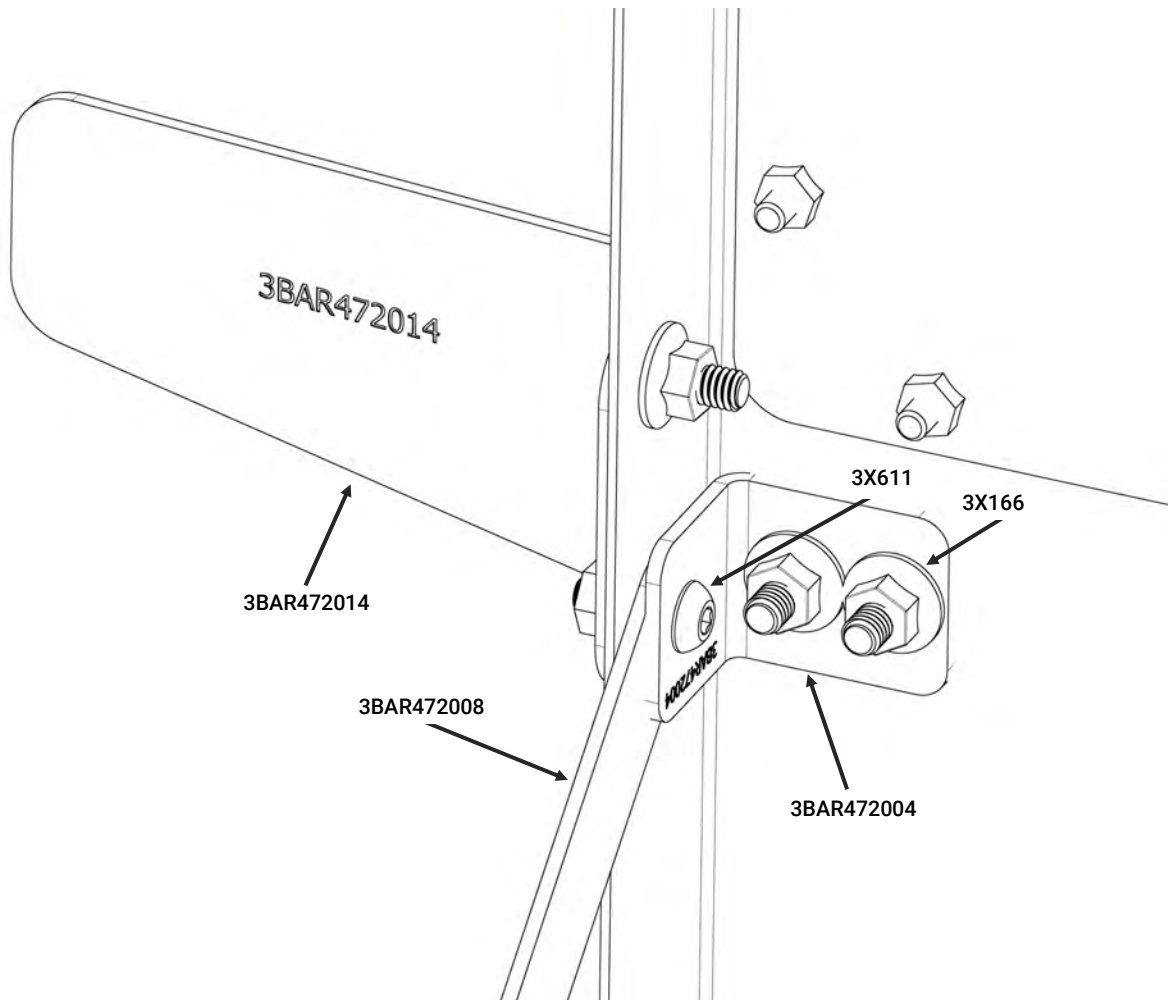


Figure 2

VII. Barrier Installation

NOTE: Due to the size of the barrier it is recommended that two people lift and position the barrier in the vehicle.

- A. Lay the barrier backwards such that the front of the barrier is facing upwards.
- B. Bring the barrier into the vehicle either through one of the side doors with the rear seats folded down or removed, or bring the barrier in through the cargo area.
- C. Once in the vehicle rotate the barrier up and into position. Using (4) Button Head Screws [3X611], loosely secure the bottom flange of the barrier to the Barrier Support Brackets.
- D. Set the driver side Barrier Diagonal Support bar [3BAR472008] on the outside the Driver Side Barrier Bracket and loosely secure using (1) [3X611] screw and (1) [3X166] whiz nut (Figure 3).
- E. Repeat step D. for the passenger side using another [3X611] screw and [3X166] whiz nut. Figure 4 on the following page shows all (6) bolt locations.

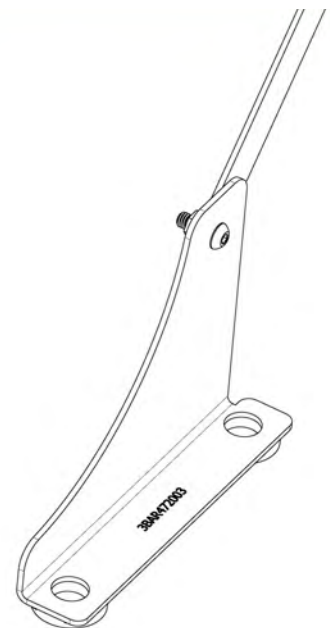


Figure 3

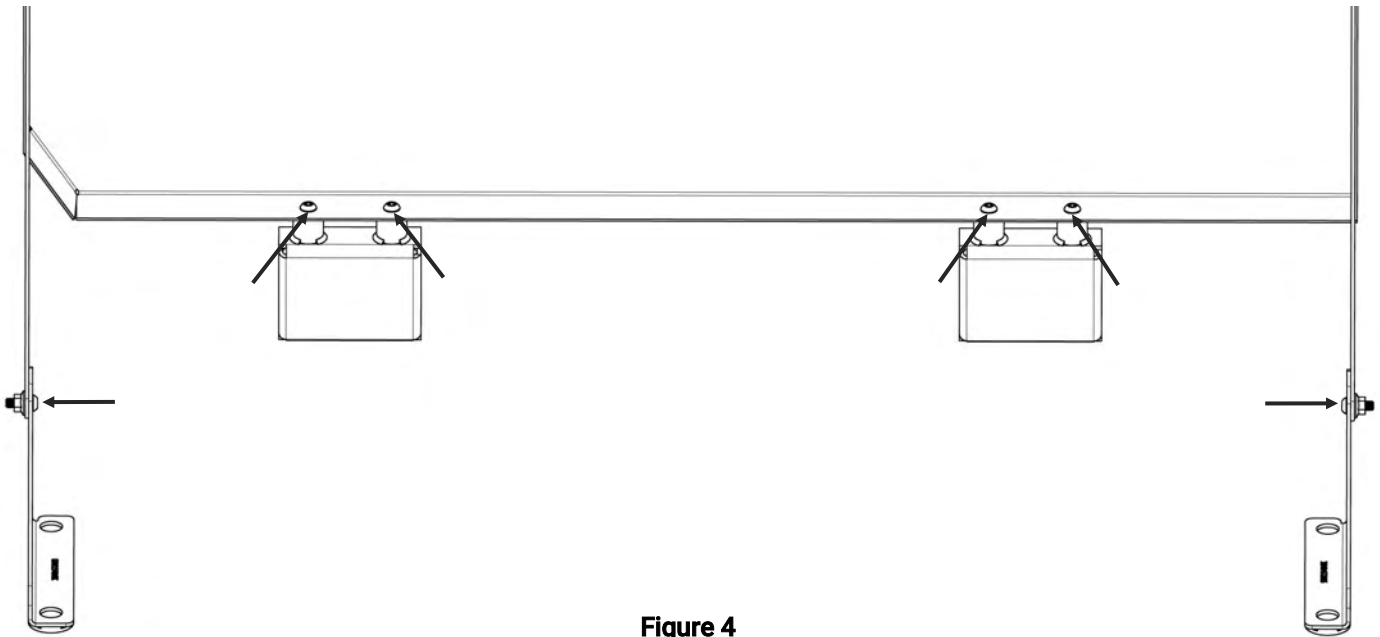


Figure 4

VIII. Tighten the Bolts

- A. Ensure that the barrier is straight and in the proper position.
- B. Tighten all 14 [3X611] screws and 10 [3X166] whiz nuts.

IX. Install the Barrier Wings

- A. Remove the (5) bolts from the top, the (3) bolts from the driver side, and the (3) bolts from the passenger side of the barrier window. The window should remain attached by only the lower (6) bolts.
- B. Place the Barrier Top Wing [3WIN472003] against the front of the barrier with the top angled towards the rear of the vehicle to allow access to the air conditioning vents. Align the holes in the wing with the top holes for the barrier window. Secure in place with the hardware removed in step A.
- C. Locate the Barrier Wing for the drivers side [3WIN472013]. The flange on the wing points towards the front of the vehicle and is located at the top of the wing.
- D. Set the drivers side Barrier Wing against the front of the barrier and align the holes with the holes on the drivers side for the barrier window. Secure in place using the hardware removed in step A.
- E. Repeat steps C. and D. for the passenger side using the passenger side Barrier Wing [3WIN472014].

Installation complete

If you have any problems with this installation or have any questions please call (800-480-6680) and ask for technical assistance.

PARTS LIST

ITEM	QTY	PART NUMBER	REVISION NUMBER	DESCRIPTION
1	1	3WIN472003	A	BARRIER TOP WING
2	1	3WIN472013		BARRIER WING, DRIVER SIDE
3	1	3WIN472014	A	WING BARRIER, PASSENGER SIDE
4	1	4BAR472000	A	2020 UTILITY BARRIER KIT
5	1	3BAR472003	B	DRIVER SIDE BARRIER BRACKET WELDMENT
6	2	3BAR472004	A	BARRIER BRACKET
7	1	3BAR472005	B	PASSENGER SIDE BARRIER BRACKET WELDMENT
8	2	3BAR472008	B	BARRIER DIAGONAL SUPPORT
9	2	3BAR472011	A	BARRIER SUPPORT BRACKET WELDMENT
10	1	3BAR472013	A	WING SUPPORT BRACKET
11	1	3BAR472014	A	WING SUPPORT BRACKET
12	1	4BAR472001	B	2020 UTILITY BARRIER HARDWARE KIT
13	14	3X611	ANY	5/16-18 X 7/8" LONG BUTTON HEAD CAP SCREW
14	10	3X619	ANY	5/16-18 SERRATED FLANGE NUT, BLACK ZINC
15	1	4BAR472001	B	2020 UTILITY BARRIER WITH POLY WINDOW
16	1	4WIK472011	A	BARRIER WING HARDWARE KIT

