

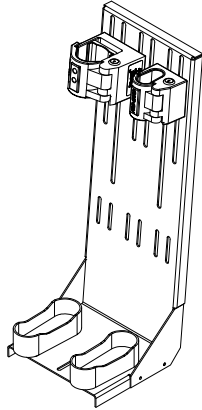
INSTALLATION GUIDE
GUN RACK MOUNT
7200 SERIES
2011 - CURRENT
DODGE CHARGER

Pro-gard[™]
PRODUCTS LLC.

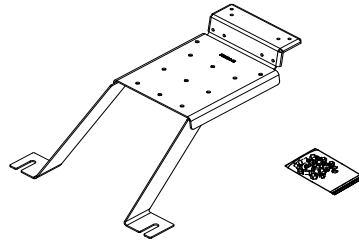
STRONG | RELIABLE | SECURE

pro-gard.com
800.480.6680

THESE COMPONENTS ARE REQUIRED
TO INSTALL THE PRO-GARD 7200 SERIES GUN RACK SYSTEM

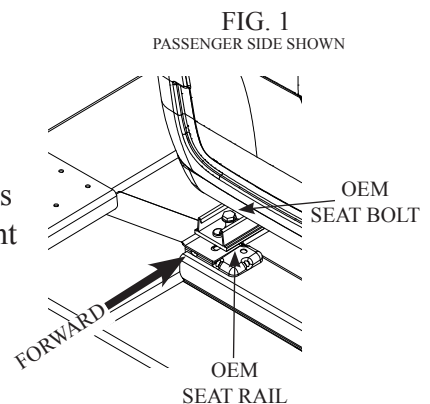


3G72xx (weapon specific)
GUNRACK



G56C11
MOUNTING KIT

- I. Refer to the diagram on the last page of these instructions to verify all parts were received.
- II. Tools Required:
 - A. 3/8 and/or 1/2 drive ratchet
 - B. 3/8" 8 point socket
 - C. Philips head screw driver
 - D. Drill with 3/8 socket drill head
- III. Read all instructions carefully before beginning the installation process.
- IV. Removal of OEM Seat Bolts.
 - A. Loosen the rear seat track bolts for the Passenger-side front seat.
NOTE: *It unnecessary to remove the bolts completely.*
 - B. Repeat process on driver's-side.
- V. Installing Gun Rack Mounting Base.
 - A. Orient the Mounting Base (3G5611-01) so that the legs face forward. Slide the legs of the base under the front seat tracks, aligning the nothes with the Seat bolts and alignment pins. Leave loose. (See Fig. 1)



B. Using the supplied Self Tapping Screws (3X110) ancor the rear of the Mounting base to the Rear Seat Area. (See Fig. 2)

C. Tighten the OEM Front Seat Bolts.
Note: *No torque spec required.*

VI. Installing the Gun Rack

A. The gun rack assembly is attached to the Mounting Base via the screws holding the Butt Plates.

B. Place the gun rack assembly on the Mounting Base and thread the flat head screws into the weld nuts in the Mounting Base. Slide the gunrack frame front to back to achieve the right location relative to the locks. (See Fig. 3)

C. Tighten all four screws securing the Butt Plates to the base.

D. Attach the foam inserts by peeling away the backing and stick the foam inserts in the bottom of the butt plates.

VII. Gun Lock Momentary Switch and Timer Installation

A. Mount the release button (momentary switch) in a concealed location that can be reached easily by the officer, while holding on to the weapon.

B. Connect the red lead of the gun lock to one side of the release button (momentary switch) and the green wire from the timer. It will be necessary to add appropriate gauge wire to accomplish this.

C. Connect a wire lead from the other side of the release button (momentary switch) to the red wire from the timer and either a switched or un-switched power source on the fuse block. This will allow the lock to operate with the ignition key on, or off, respectively.

FIG. 2

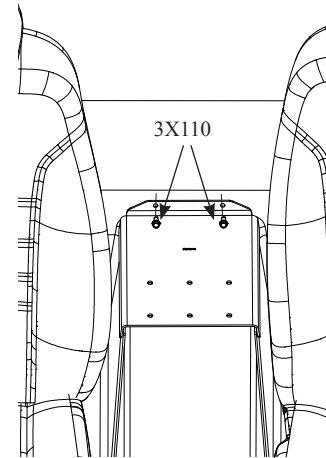
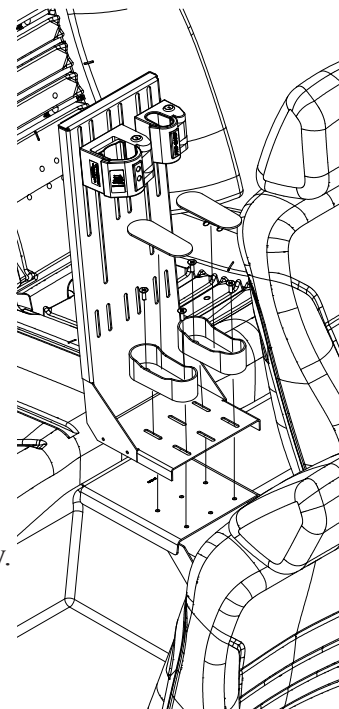


FIG. 3



- D. Pro-Gard suggests installing a 10 AMP fuse between momentary switch and power source. This must be done or you will void your warranty!
- E. Connect the blue lead of the gun lock to AC chassis ground. Do not connect to the factory aftermarket grounding post with other auxiliary equipment. It will be necessary to add wire to accomplish this.
- F. Install the Rear Cover using the supplied screws (3X146). (See Fig. 4)

FIG. 4

VIII. Lock Head Operating Instructions

To release the weapon:

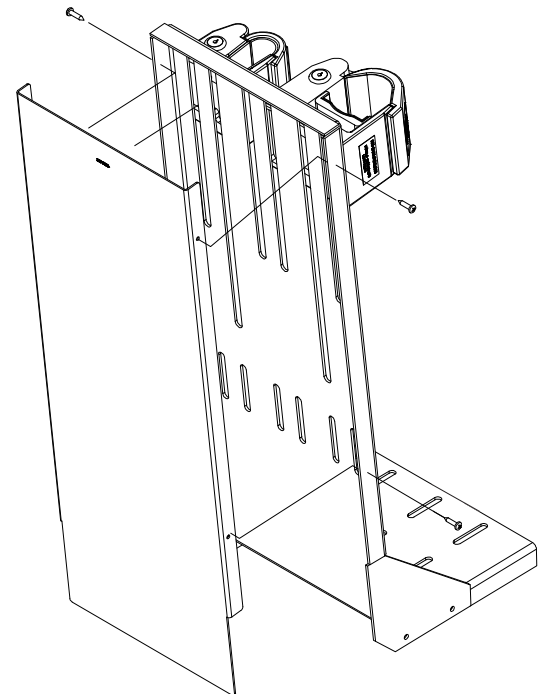
- A. Grasp the weapon, but do not pull it against the lid of the gun lock.
- B. While depressing and holding the release button (momentary switch), push and then pull the weapon towards the lid of the gun lock to release it from the lock.

Note: One handed operation is possible utilizing the optional 8 second timer. The timer will unlock the lock for 8 seconds following activation of the momentary switch. If the gun is not pulled out of the lock within 8 seconds after activation of the momentary switch, the lock will automatically re-lock.

Important: If lid of the lock does not release, press in on the lid to release tension and reactivate the release button (unless timer is still active).

Securing the Weapon:

- A. Push weapon firmly and completely into the lock mechanism and firmly close lid.
- B. Check to insure that the lid is locked.
- C. If the lid does not lock, re-seat the weapon firmly and completely into the lock assembly and again apply firm pressure to the lock lid to seat and re-lock it.



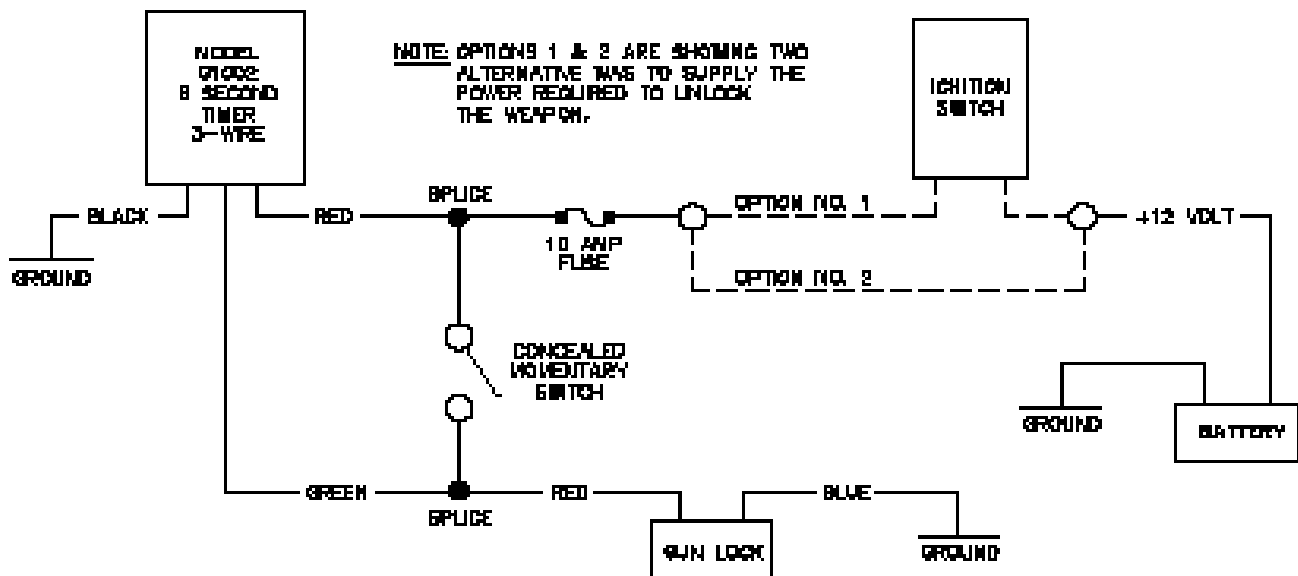
Note: The G4904 Series lock mechanism has a unique override. In the event of power failure, the lock can be opened using a standard handcuff key or other high security key.

To open the lock with the manual override key:

- A. Fully insert the handcuff key into the hole provided in the lock head. Turn the key 1/4 turn to the left (counter-clockwise). Pull open the lid or pull on the weapon to open it.

Important: Return the key to its original position or remove key completely to close and re-lock the lock.

VI. Installing Optional 8 second timer (3-Wire)



Note: If for any reason the gun lock momentary switch remains activated, such as, the button is damaged, and/or shorted, the unit will time out in 8 seconds and can not be operated again until the defective switch is repaired, thus saving the gun lock solenoid. Do not connect directly to power for more than 20 seconds!

VIII. Installation Complete

PARTS LIST			
ITEM	QTY	PART NUMBER	DESCRIPTION
1	1	3G5614-01	SELF SUPPORTING STAND
2	1	VARIABLES	GUN LOCK SYSTEM
3	1	G4904-NPG	GUN LOCK
4	1	G4904H	GUN LOCK
5	1	3G7009C	PLASTIC BACKING
6	2	G4962-002	BUTT PLATE
7	2	3G4963-002	FOAM PAD
8	4	3X143	8-32 X 5/8 PHIL PAN HD MS
9	6	3X184	1/4-20X0.75, SBHCS, BLACK OXIDE
10	8	3X125	1/4 X 2" SELF DRILLING HEX HDSC

