

INSTALLATION GUIDE

4CSC6718

CARGO SECURITY COVER

2018 - CURRENT

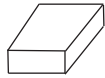
DURANGO

Pro-gard[™]
PRODUCTS LLC.

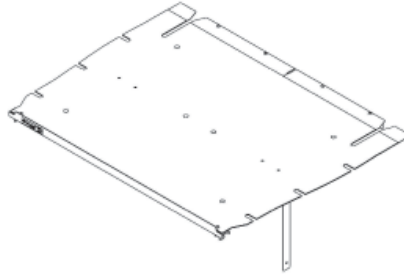
STRONG | RELIABLE | SECURE

pro-gard.com
800.480.6680

THESE COMPONENTS ARE REQUIRED
TO INSTALL THE PRO-GARD CARGO SECURITY COVER



4CSCHK67-001
Hardware Kit



4CSCK67DUR18
Cargo Security Cover

I. Refer to the diagram above to verify all parts were received.

II. The following tools will be required to complete the installation:

- 1. 7/16" Socket
- 2. Phillips Screwdriver

III. Read all instructions carefully before starting the assembly process.

NOTE: *Locate all wiring, fuel lines, brake lines, and /or cooling lines before drilling holes or installing any fasteners.*

IV. Bracket Installation

A. Loosely attach bracket 3CSC6718-05 on the passenger side using the same attachment location and hardware as the barrier support bracket shown in Fig.1. Make sure the bracket is placed in the inner-most position.

B. Repeat for driver side.

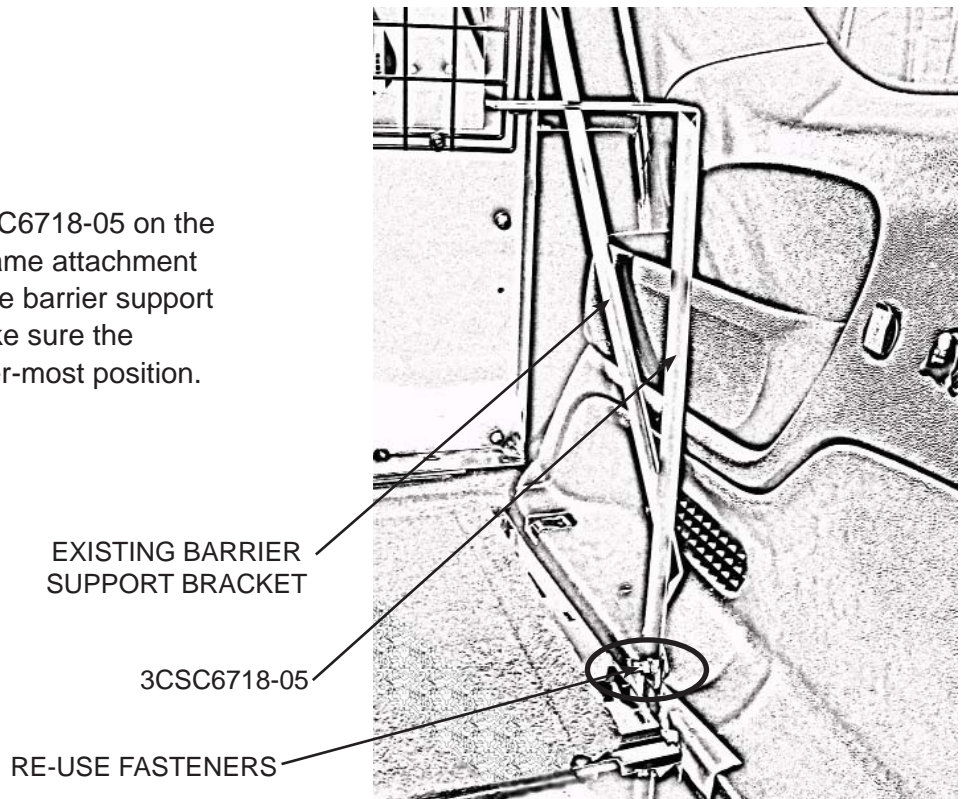


Fig. 1

C. Remove 4 lower fasteners on barrier window. Place the barrier support bracket 3CSC6718-13 into place and fasten to barrier using longer 1/4-20 x 3/4 screws (3X05) provided with kit. See Fig 2.

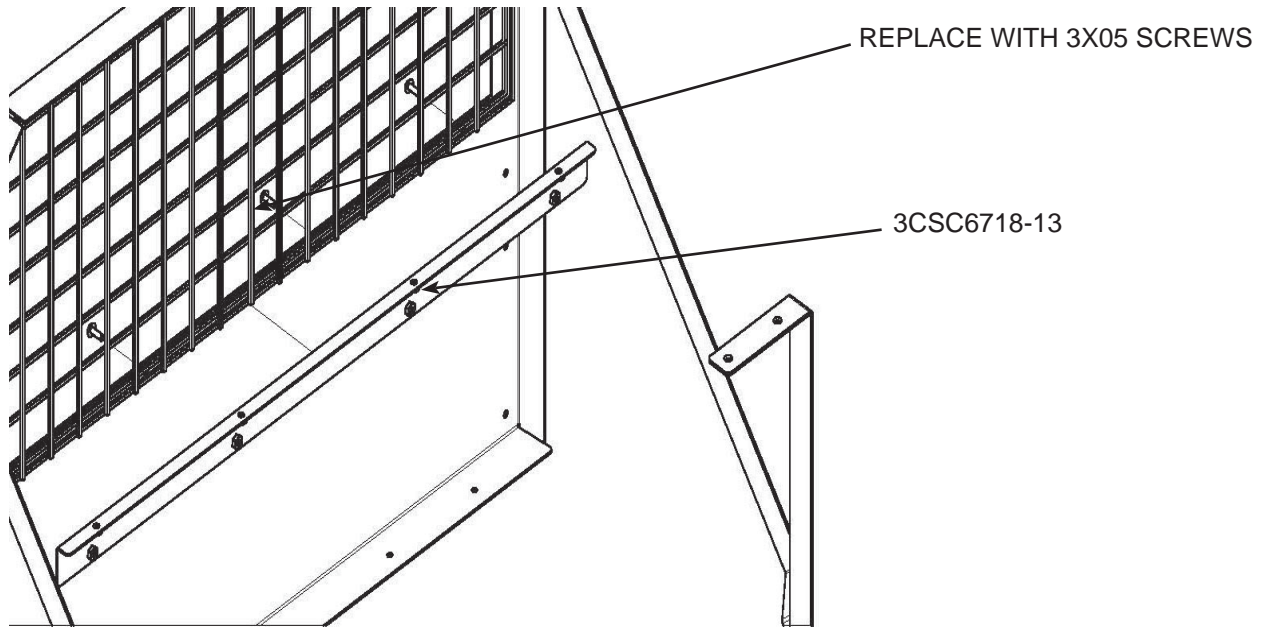


Fig. 2

V. Cargo Cover Installation

A. Locate rear cross member bracket 3CSC6718-10 by inserting into cargo rear quarter trim slots (Fig 3). Set cover panels 3CSC6718-07 and 3CSC6718-08 onto barrier, center and rear brackets. Align cover and rear cross member holes and assemble cover support bracket 3CSC6718-09 using 3X03 screw and 3X16 nut. (Fig. 4)

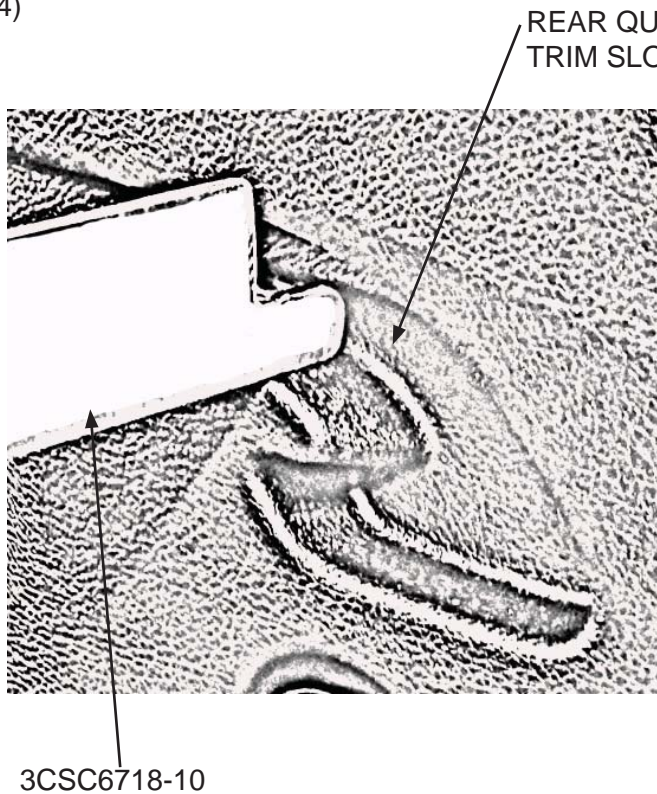


Fig. 3

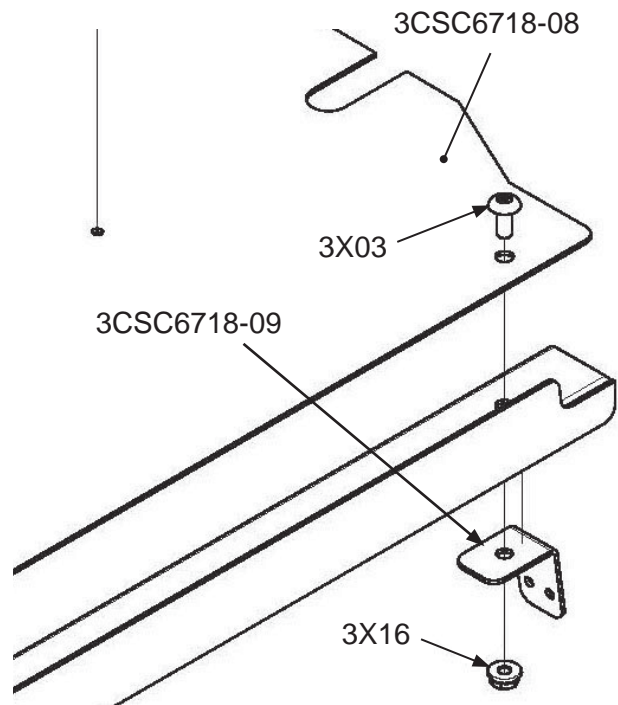


Fig. 4

B. At cover underside, fasten the two cover halves at thru center flanges using 1/4-20 x 5/8" hex head bolt (3X04) and nut (3X16). (Fig. 5) Fasten all remaining panel and bracket locations at top panel surface using 1/4-20 x 5/8" phillips truss head screws (3X03).

TIP: Starting bolt and nut to fasten panels at front and rear will square panels and better align all holes making assembly easier.

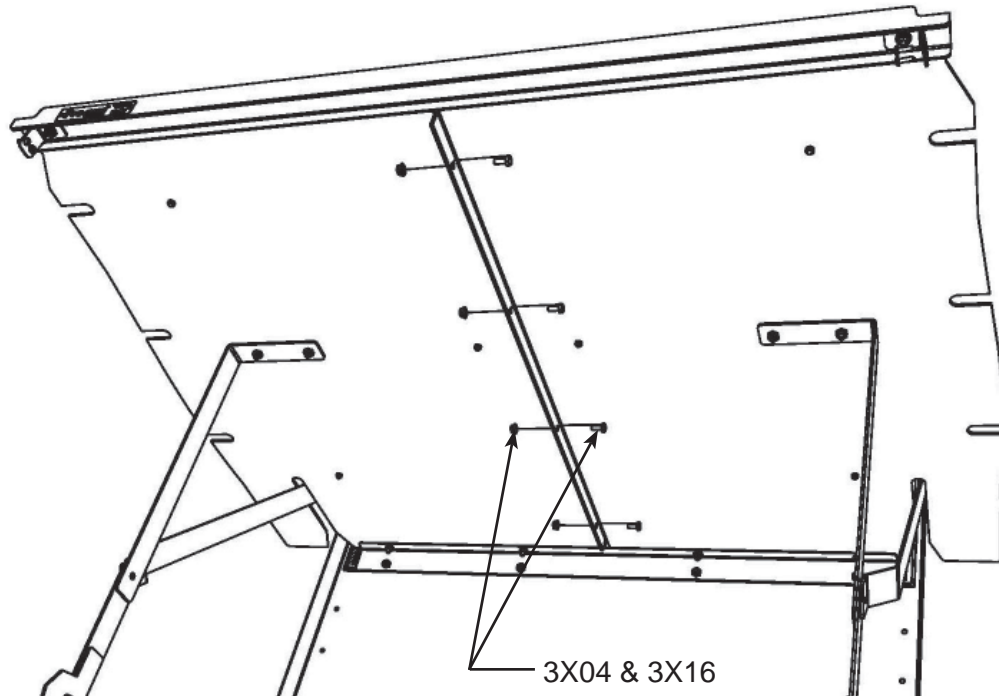


Fig. 5

C. With cover panels secure, drive #8-32 screws (3X72) into rear quarter trim as shown. See figure 6.

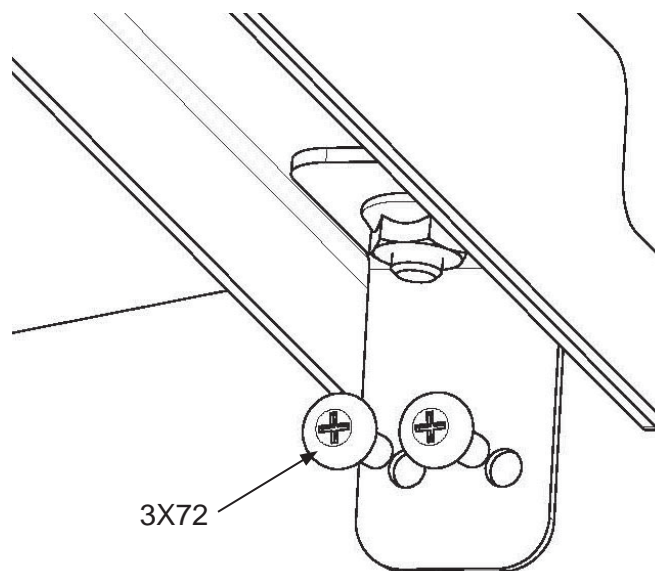


Fig. 6

D. Install neoprene mat 3CSC6718-14 and smooth out on cover surface, aligning with holes and slot features. Secure mat by inserting push-in nylon rivets (3X246). See fig. 7.

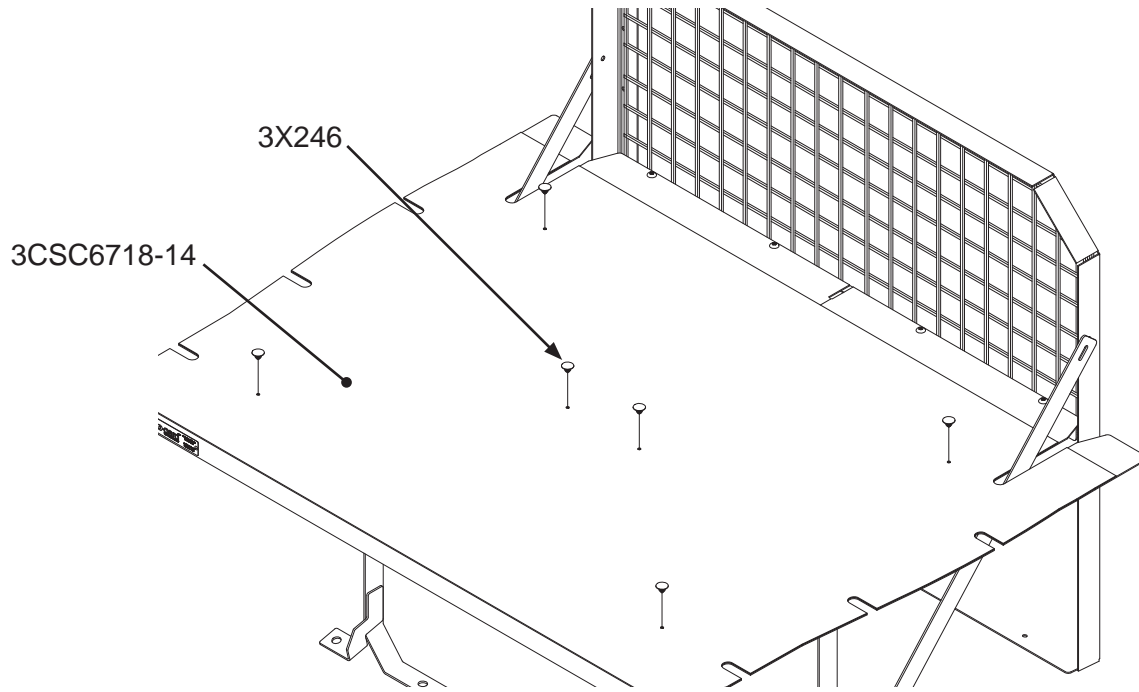
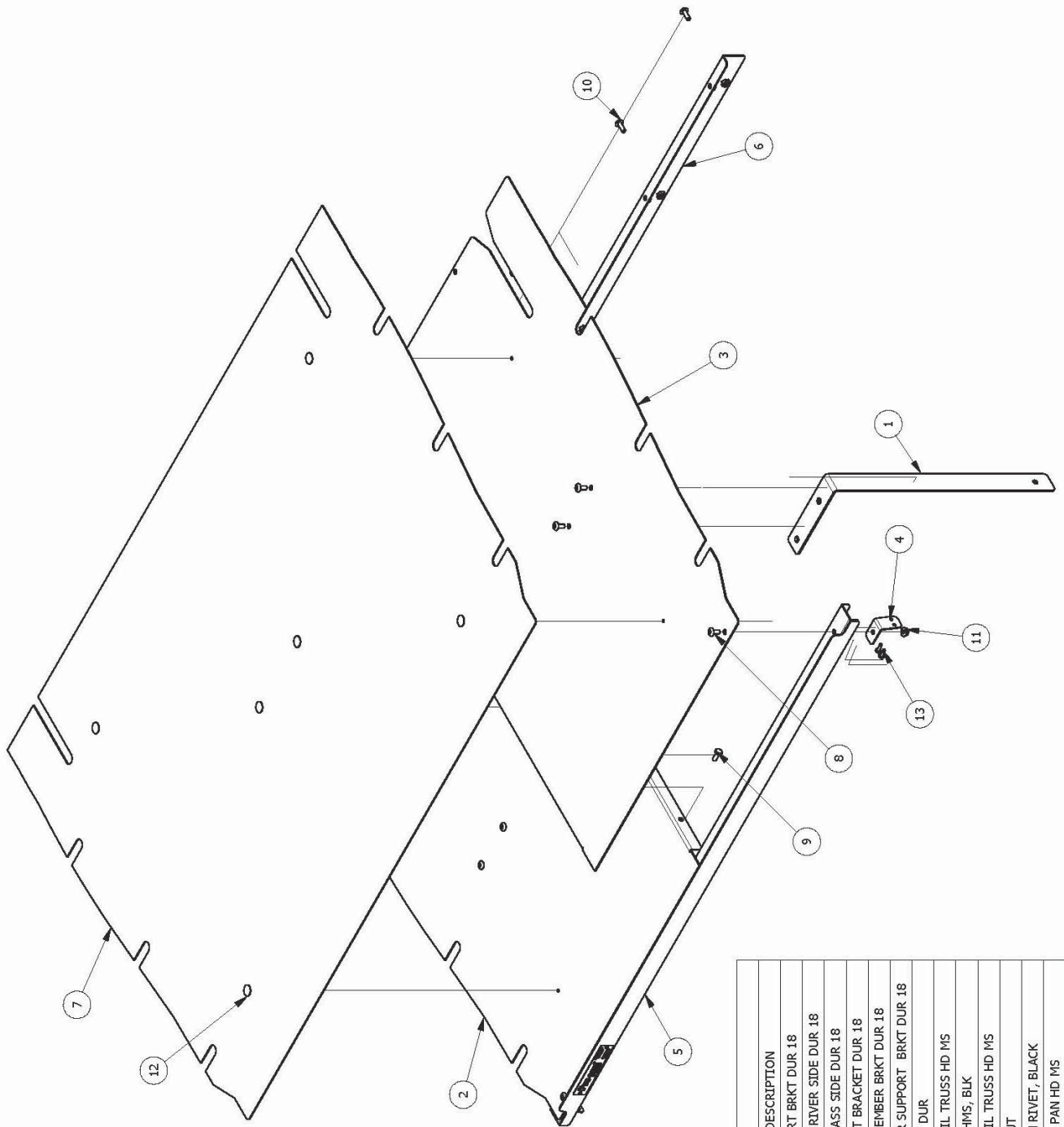


Fig. 7

Installation complete!

If you have any problems with this installation then call the toll free number (800-480-6680) and ask for technical assistance.



PARTS LIST

ITEM	QTY	PART NUMBER	DESCRIPTION
1	2	3CSC6718-05	CENTER SUPPORT BRKT DUR 18
2	1	3CSC6718-07	COVER PANEL DRIVER SIDE DUR 18
3	1	3CSC6718-08	COVER PANEL PASS SIDE DUR 18
4	2	3CSC6718-09	COVER SUPPORT BRACKET DUR 18
5	1	3CSC6718-10	REAR CROSS MEMBER BRKT DUR 18
6	1	3CSC6718-13	BARRIER COVER SUPPORT BRKT DUR 18
7	1	3CSC6718-14	NEOPRENE MAT DUR
8	10	3X03	1/4-20 X 5/8 PHIL TRUSS HD MS
9	4	3X04	1/4-20 x 5/8" HHMS, BULK
10	4	3X05	1/4-20 X 3/4 PHIL TRUSS HD MS
11	6	3X16	1/4-20 WHIZ NUT
12	6	3X246	PUSH-IN NYLON RIVET, BLACK
13	4	3X72	8-32 X 5/8 PHIL PAN HD MS