

INSTALLATION GUIDE

B57XXT15 & S57XXT15

CARGO BARRIER AND

TRANSPORT SEAT

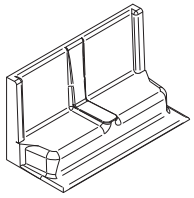
2015 - CURRENT

CHEVROLET TAHOE

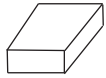
Pro-gard[™]
PRODUCTS LLC.

STRONG | RELIABLE | SECURE

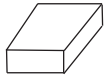
THESE COMPONENTS ARE REQUIRED
TO INSTALL THE PRO-GARD BARRIER



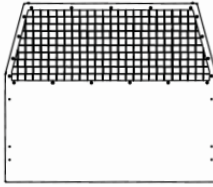
3S5715
SEAT



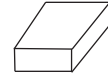
4S57T15
SEAT KIT



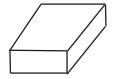
4SHK5715
SEAT HARDWARE



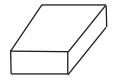
4B57XXT15
BARRIER



4BK5715
BARRIER KIT



4BWK57TAH
WING HARDWARE KIT



4BHK5715
BARRIER HARDWARE

I. Refer to the diagram above to verify all parts were received.

II. The following tools will be required to complete the installation:

- | | | |
|-----------------|-------------------------|---------------------|
| 1. 7/16" Socket | 2. Phillips Screwdriver | 3. 5/32" Hex Wrench |
| 4. 18mm Socket | 5. 12mm Socket | 6. 20mm Socket |

III. Read all instructions carefully before starting the assembly process.

NOTE: *Locate all wiring, fuel lines, brake lines, and/or cooling lines before drilling holes or installing any fasteners.*

IV. Seat & Coat Hook Removal

- A. Remove the 2 bolts closest to the passenger and Driver doors. (If installing a Pro-Gard seat remove all 8 OEM bolts and discard OEM seats, remove factory seat belt buckles.)

NOTE: *It may be necessary to loosen all OEM seat nuts to position lower barrier brackets.*

- B. Remove both the driver and passenger OEM coat hook assemblies from vehicle headliner.

V. Barrier Installation

NOTE: *It may be necessary to have a second person to install the barrier.*

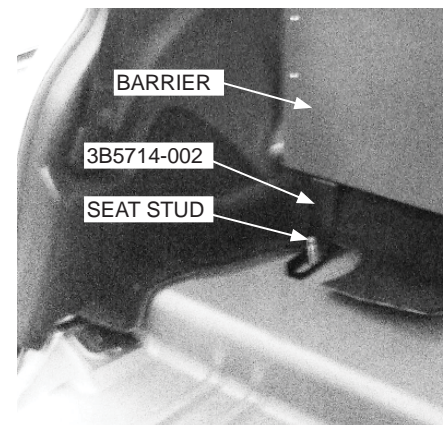


Fig. 1

- A. If using the Pro-gard Transport Seat, Remove the OEM Seat from the vehicle. Otherwise proceed to the next step.
- B. Place Bracket 3B5714-002 over the OEM seat stud closest to the passenger side door (Fig 1). (If using OEM seat the bracket will rest under the OEM seat frame.) Loosely secure using the OEM nut. Repeat process for drivers side of vehicle using bracket 3B5714-001.

- C. Place the cargo barrier into the vehicle behind the second row seating area. Stand the barrier up and position the mounting holes in the lower portion of the barrier with the holes located in brackets 3B5714-001/002. Secure the barrier to the lower support brackets using the included 3X03 phillips head screws (Fig. 2).
- D. Install the upper mounting bracket 3B5715-03 to the barrier using the provided 3X36 carriage bolts and 3X16Z whiz nuts through the mounting hole located in the top of the barrier (Fig. 3). Hand tighten only. Repeat process for the drivers side of the vehicle using bracket 3B5715-02.
- E. Align bracket 3B5715-01 with the coat hook mounting hole on the passenger side of the vehicle and secure using the provided 3X97 bolt and spacer. Repeat process for the drivers side, with bracket 3B5715-02 (Fig. 3). Refer to the last page for part description.
- F. There is a wire raceway hole location in the barrier to allow wires through, and the hole location has a cover plate (3SP3647) that is attached with two (3X36)bolts and two (3X16Z) nuts.
- G. Center the barrier in the vehicle and secure all fasteners.
- H. Install 3X145 black plastic cap over any and all exposed studs from barrier install.

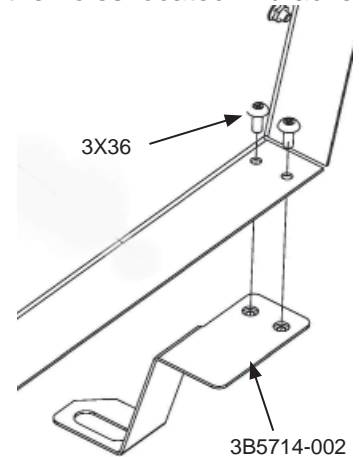


Fig. 2

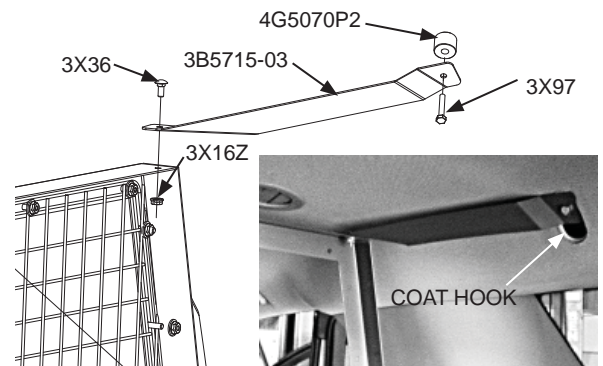


Fig. 3

VI. Wing Installation

- A. Attach the top polycarbonate panel (3BW5715-05) to the top of the barrier using the existing bolts from the top of the window frame. Adjust panel to suit, and secure fasteners. (Fig. 4)
- B. Remove the (3) 3X16 nuts and 3X03 bolts located on the upper portion of the drivers side of the barrier. Place bracket 3B929 on the front side of the barrier and secure using the bolts and nuts that were removed (repeat for the passenger side, only using the lower (2) hole locations).
- C. Place the drivers side upper wing (4BW5715-02) behind the air-bag brackets, align the holes, and secure using the provided 3X03 bolts and 3X16 nuts. Repeat process for the passenger side using wing (4BW5715-01).
- D. Secure the passenger side lower polycarbonate wing (3BW5715-03) to the barrier using the provided 3X03 bolts and 3X16 whiz nuts. Repeat process for drivers side of vehicle using polycarbonate wing (3BW5715-04).

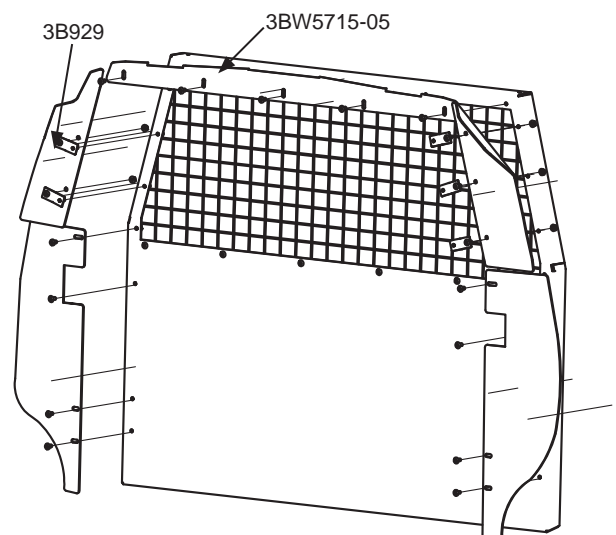


Fig. 4

VII. Seat Installation (OPTIONAL)

A. Install seat support bracket 3S5715-01 onto the barrier using the 3X03 bolts and 3X16 nuts already installed on the barrier. Tighten all fasteners. (Fig. 5)

B. Hold the 3P5732 seat support bracket upright near the center of the vehicle with the angled leg facing towards the front of the vehicle.

Place 3S5715-02 underneath the hole located in 3P5732.

Insert the slot located on the bracket through the inner OEM seat stud located on the drivers side. Loosely secure using the OEM nut.

Insert the weld-stud located on 3S5715-03 through the (2) previous brackets and secure the bracket using the inner most OEM seat stud located on the passenger side.

Tighten down both OEM nuts securing the assembly. The assembly should be center of the vehicle. (Fig. 6 & 7)

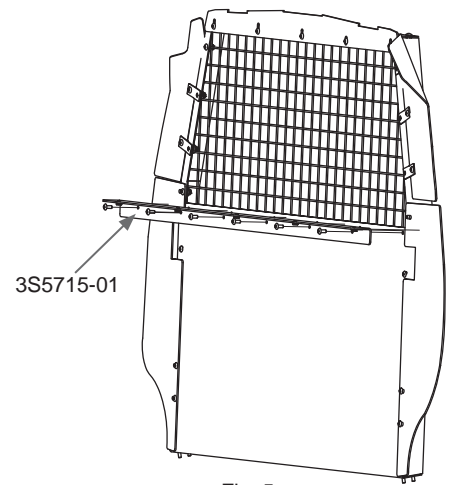


Fig. 5

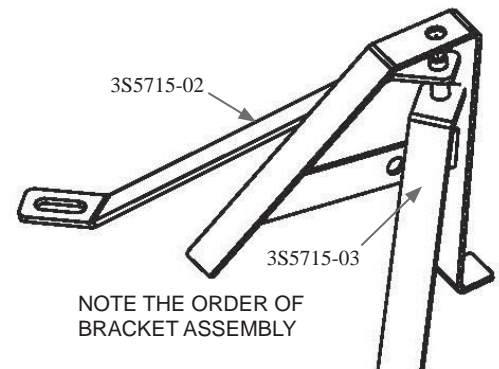


Fig. 6

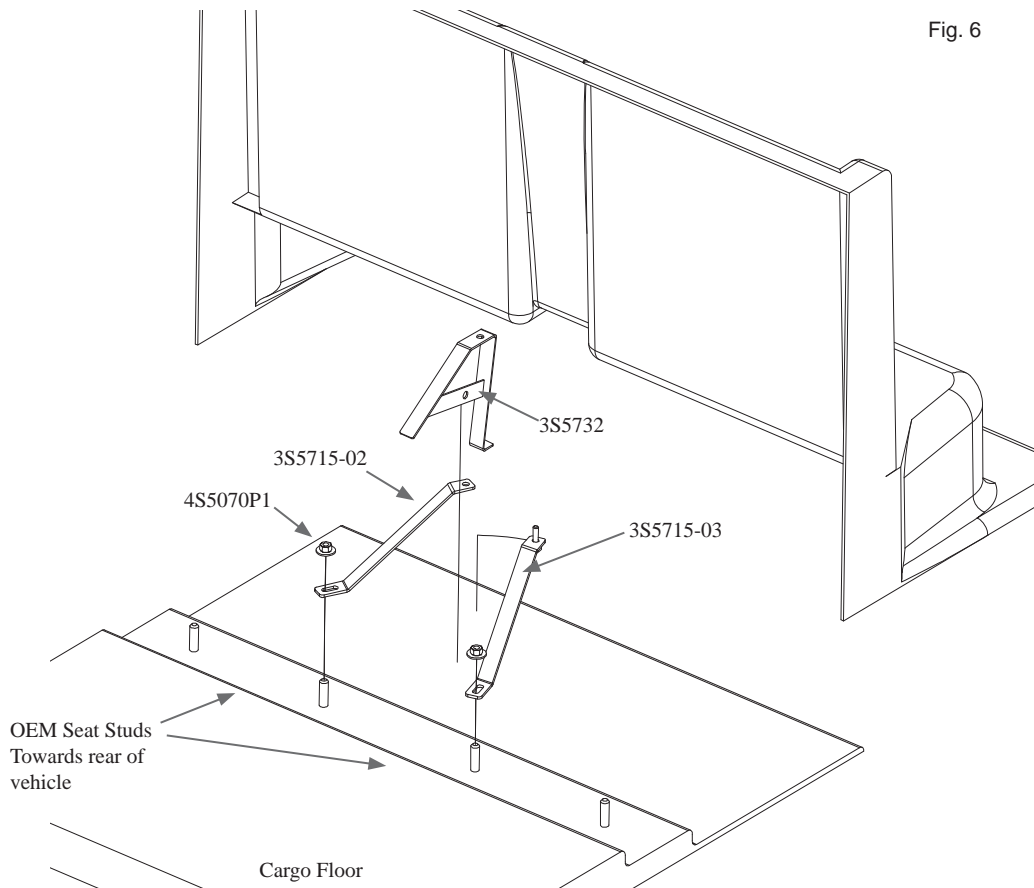


Fig. 7

- C. Insert the (4) 4S5070P1 spacers over the (4) OEM studs. The studs are located just behind the driver and passenger seat.
- D. Place the Pro-Gard Transport Seat into the vehicle. Align the (4) OEM studs with the (4) holes located in the seat. Pull the shoulder belts out away from the seat, begin sliding the seat back and aligning the slots in the seat with the hole locations in the seat support bar.
- E. With the seat in place secure the upper portion of the seat with the provided 3X223 bolts and 3X12 washers. Using the provided 3X183 acorn nuts and 3X260 washers secure the lower portion of the seat with the OEM seat studs.
- F. Remove the seat belt buckles for the rear seat that was removed previously.
- G. Place the OEM seat belt buckles through the M12 stud in the center of the seat. Secure using the provided lock-nut (3X182). The locating tab on the buckle assembly can be bent or removed before installation into the vehicle.
- H. Check overall fit and alignment of the seat. Tighten all fasteners.

VIII. Installation Complete

4S57T15 SEAT KIT		
ITEM	QTY	PART NUMBER DESCRIPTION
1	1	3S5715 SEAT TAH 15
2	1	3P5732 SEAT SUPPORT BRACKET TAHOE
3	1	3S5715-01 SEAT BAR TAH 15
4	1	3S5715-02 SEAT SUP BRKT TAH 15 (DRIVER)
5	1	3S5715-03 SEAT SUP BRKT TAH 15 (PASS)

4SHK5715 SEAT HARDWARE KIT (NOT SHOWN)		
ITEM	QTY	PART NUMBER DESCRIPTION
6	4	4S5070P1 1" OD 1/2" ID PLASTIC SPACER
7	4	3X260 1.75" WASHER
8	5	3X223 1/4-20 X 1" BHS BLK ZINC
9	4	3X183 M12 X 1.75 ACORN NUT, ZINC
10	1	3X182 M12 X 1.75 NYLON LOCK NUT, ZINC
11	5	3X112 1/4" FLAT WASHER BLK

4BK5715 BARRIER KIT TAH 15		
ITEM	QTY	PART NUMBER DESCRIPTION
12	1	3B5715-02 UPPER BARRIER SUPPORT - DRIVER
13	1	3B5715-03 UPPER BARRIER SUPPORT - PASSENGER
14	1	3B5714-001 LOWER BARRIER SUPPORT - DRIVER
15	1	3B5714-002 LOWER BARRIER SUPPORT - PASSENGER

4B57XT15 BARRIER KIT		
ITEM	QTY	PART NUMBER DESCRIPTION
16	1	3B5715 BARRIER
17	1	3B5715-04 BARRIER WIRE *OPTIONAL*
18	1	3B5715-07 BARRIER POLY *OPTIONAL*

4BHK5715 BARRIER HARDWARE KIT		
ITEM	QTY	PART NUMBER DESCRIPTION
19	2	4G5070P2 SPACER, PLASTIC, 3/4" LONG
20	2	3X97 M6X35MM HEX HD CAP SCREW, ZINC
21	2	3X36 1/4-20 X 5/8 CARRIAGE BOLT
22	2	3X16Z 1/4-20 WHIZ NUT (NOT SHOWN)
23	16	3X03 1/4-20 X 5/8 PHIL TRUSS HD MS
24	19	3X145 BLACK PLASTIC CAP (NOT SHOWN)

4BWK57TAH		
ITEM	QTY	PART NUMBER DESCRIPTION
25	5	3B929 BRACKET BARRIER AIRBAG
26	1	3BW5715-03 BARRIER WING TAH 15 AB
27	1	3BW5715-04 BARRIER WING TAH 15 AB
28	1	3WB5715-05 BARRIER WING TAH 15 AB
29	1	4WB5715-01 BARRIER WING TAH 15 AB
30	1	4WB5715-02 BARRIER WING TAH 15 AB
31	9	3X16 1/4-20 WHIZ NUT
32	9	3X03 1/4-20 X 5/8 PHIL TRUSS HD MS

