

## **INSTALLATION GUIDE**

**3G7047 & 3G7009A**

**SELF SUPPORTING**

**GUN RACK FOR**

**2013+ FORD UTILITY**

**INTERCEPTOR**

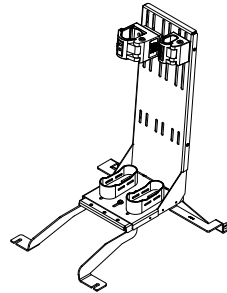
**Pro-gard**<sup>™</sup>  
PRODUCTS LLC.

**STRONG | RELIABLE | SECURE**

**pro-gard.com**  
**800.480.6680**

THESE COMPONENTS ARE REQUIRED  
TO INSTALL THE PRO-GARD G7047 SERIES WEAPONS SYSTEM

G7009A  
GUN RACK  
&  
G7047 GUN RACK  
MOUNT BASE



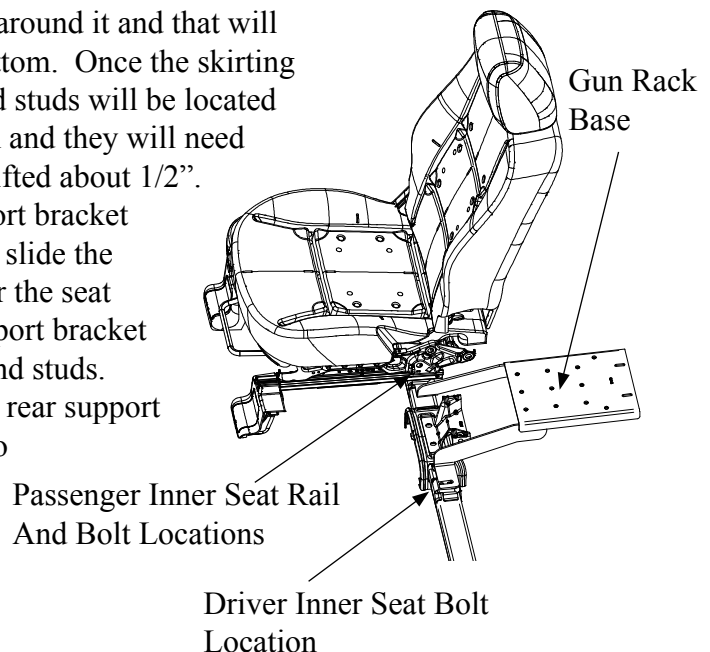
- I. Refer to the diagram on the last page of these instructions to verify all parts were received.
- II. The following tools will be required to complete the installation.

Socket Wrench with 13mm, 15mm, 3/8" & 7/16" sockets.  
Phillips screw driver.

- III. Installing the gun rack.
  - A. Loosen both inner rear seat bolts of the driver and passenger seat so that the seats can be lifted about 1/2". Then install the mounting base (3G7047-01) by pushing the front seats forward. Then slide the arms of the mounting base under the seat frame. Once the arms of the mounting base are slid into place tighten the two seat bolts. (See FIG 1.)

- B. Locate the rear seat bolts and studs that secure the back seat. The bolts and studs are located in the front of the rear seat. The bottom of the seat has a skirting around it and that will need to be pulled loose at the bottom. Once the skirting is lifted up at the bottom the bolts and studs will be located there. The bolts and studs are 15 mm and they will need to be loosen so that the seats can be lifted about 1/2". See Fig 2. Then install the rear support bracket by pusing the seats backwards. Then slide the slots of the rear support bracket under the seat frame. Once the slots of the rear support bracket are slid into place, tighten the bolts and studs. Then secure the mounting base to the rear support bracket using two 3X04 bolts and two 3X12 washers.(See FIG. 3)

FIG. 1



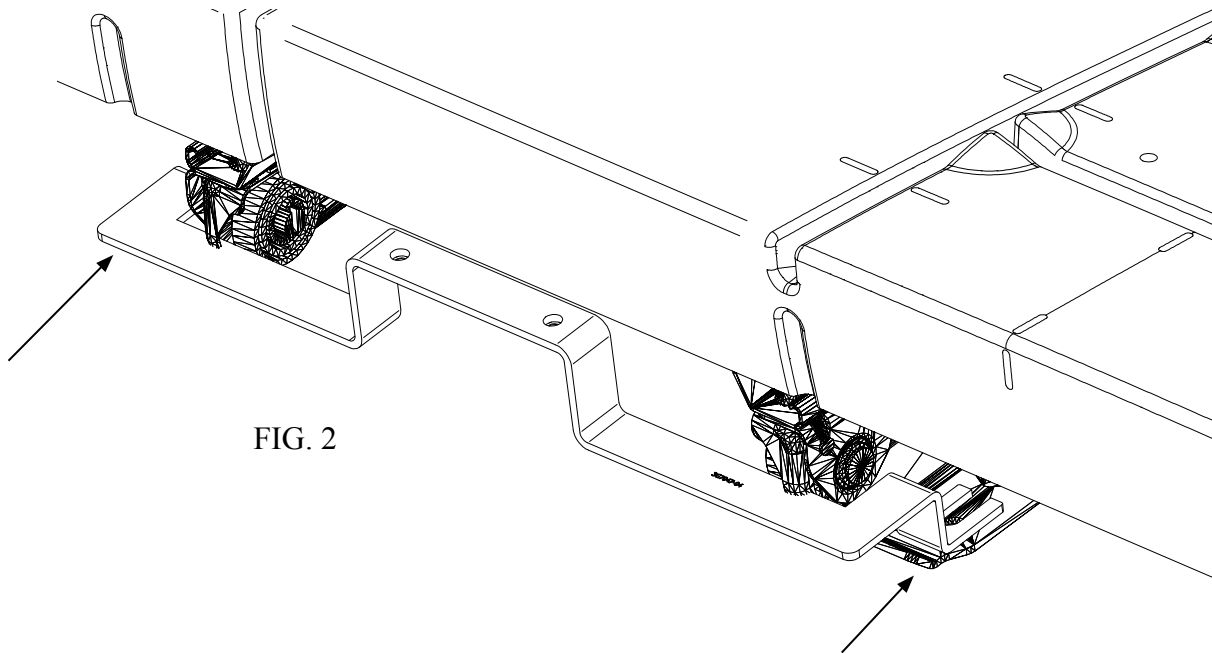


FIG. 2

C. Rest the gun rack, 3G7009A on the previously installed base. Install two 3X04 bolts with two 3X12 washers into the rear two slots of the gun rack to secure it to the base. Install two more 3X04 bolts and two 3X12 washers in the two middle slots. (Leave these bolts loose for now to allow movement of the gun rack on the base). See FIG. 3.

#### IV. Weapon fitment.

A. Remove the 6 philips head screws that secure black plastic ABS back to the gun rack. Remove the back from the gun rack for the rest of the gun lock adjustment process.

B. Place weapon in the gun rack and adjust lock and butt plate bracket to properly fit weapon. Charging brackets and trigger guards should also be adjusted to ensure the weapon cannot be discharged.

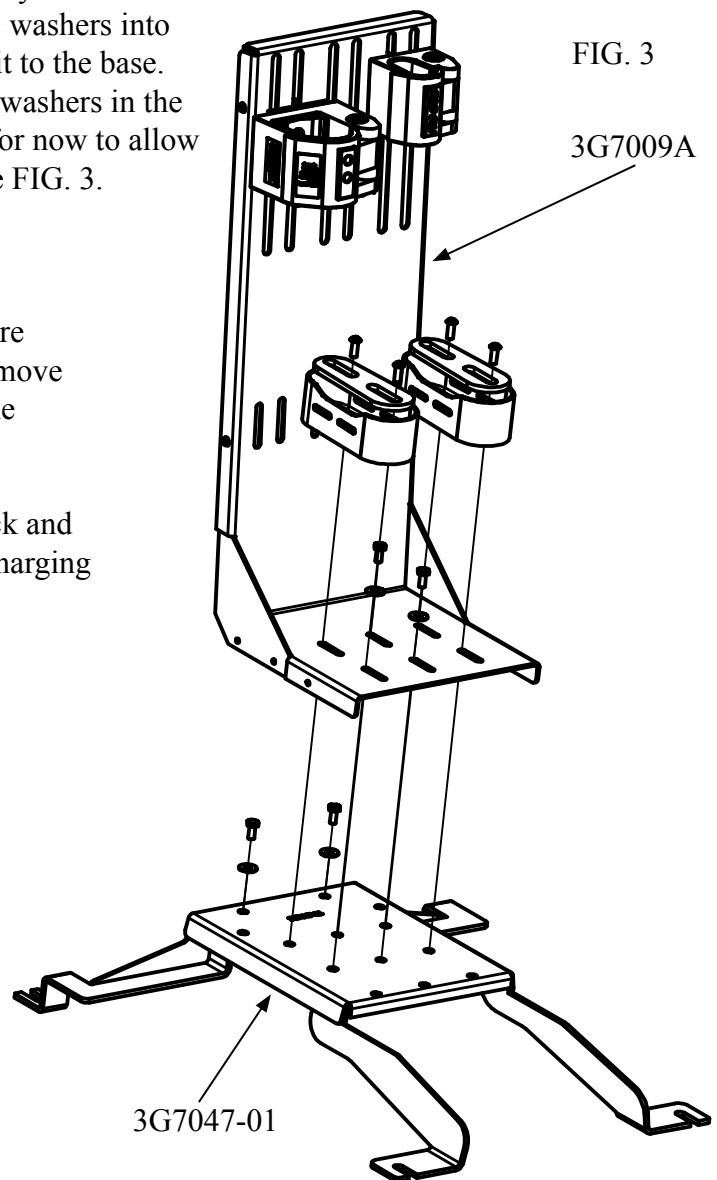


FIG. 3

3G7009A

3G7047-01

V. Final installation.

- A. Wire electric gun locks per timer instructions. See page 5
- B. Re-install the back onto the gunrack with the 6 screws that were removed earlier.
- C. Tighten all the bolts securely, now that all adjustments have been made to properly fit the weapon.

VI. Lock Head Operating Instructions

To release the weapon:

- A. Grasp the weapon, but do not pull it against the lid of the gun lock.
- B. While depressing and holding the release button (momentary switch), push and then pull the weapon towards the lid of the gun lock to release it from the lock.

Note: One handed operation is possible utilizing the optional 8 second timer. The timer will unlock the lock for 8 seconds following activation of the momentary switch. If the gun is not pulled out of the lock within 8 seconds after activation of the momentary switch, the lock will automatically re-lock.

Important: If lid of the lock does not release, press in on the lid to release tension and reactivate the release button (unless timer is still active).

VII. Securing the Weapon:

- A. Push weapon firmly and completely into the lock mechanism and firmly close lid.
- B. Check to insure that the lid is locked.
- C. If the lid does not lock, re-seat the weapon firmly and completely into the lock assembly and again apply pressure to the lock lid to seat and re-lock it.

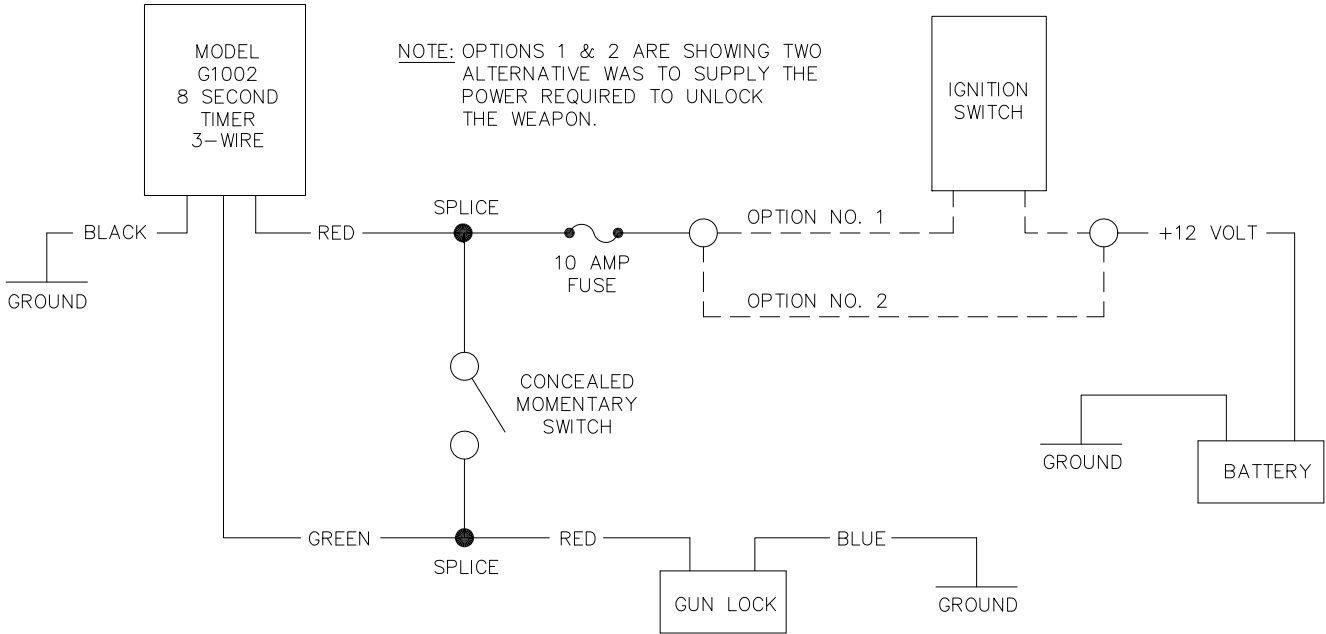
Note: The G4904 Series lock mechanism has a unique override. In the event of power failure, the lock can be opened using a standard handcuff key or other high security key.

VIII. To open the lock with the manual override key:

- A. Fully insert the handcuff key into the hole provided in the lock head. Turn the key 1/4 turn to the left (counter-clockwise). Pull open the lid or pull on the weapon to open it.

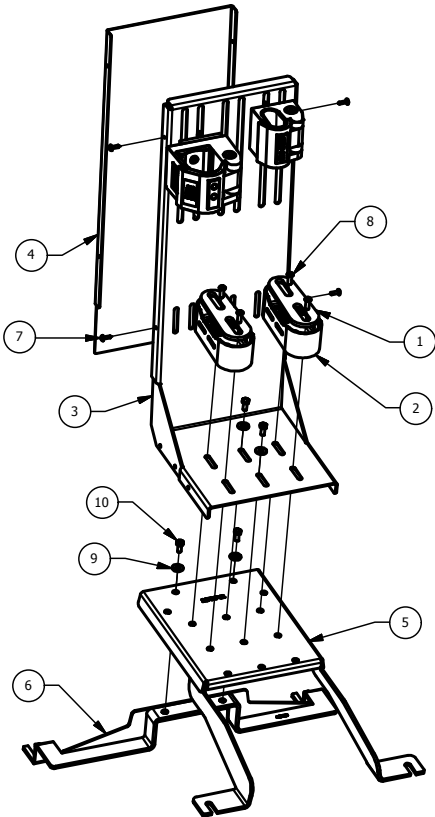
Important: Return the key to its original position or remove key completely to close and re-lock the lock.

## IX. Installing Optional 8 second timer (3-Wire)



Note: If for any reason the gun lock momentary switch remains activated, such as, the button is damaged, and/or shorted, the unit will time out in 8 seconds and can not be operated again until the defective switch is repaired, thus saving the gun lock solenoid. Do not connect directly to power for more than 20 seconds!

## X. Installation Complete



FABRICATED PARTS LIST			
ITEM	QTY	PART NUMBER	DESCRIPTION
1	2	3G4963-002	RUBBER BUTT PLATE PAD
2	2	3G4962-002	BUTT PLATE BLACK NYLON
3	1	3G7009A	GUN RACK, VERTICAL MOUNT
4	1	3G7009C	ABS GUNRACK BACKING PANEL
5	1	3G7047-01	MOUNTING BASE
6	1	3G7047-04	REAR SUPPORT BRACKET

HARDWARE LIST			
ITEM	QTY	PART NUMBER	DESCRIPTION
7	4	3X143	#10 X 5/8 PHILLIPS TRUSS HD
8	4	3X184	1/4-20 X 3/4 SHCS, BLACK
9	6	3X12	1/4" FLAT WASHER, BLACK
10	6	3X04	1/4-20 X 5/8 HEX HD CAP SCREW

\* = QTY MAY VARY DEPENDING ON CONFIGURATION