

# **INSTALLATION GUIDE**

**2021 - CURRENT  
CHEVROLET TAHOE  
NIJ IIIA BALLISTIC DOOR PANEL  
BDP57T21D / BDP57T21P**

**Pro-gard**<sup>™</sup>  
PRODUCTS LLC.

**STRONG. RELIABLE. SECURE.**

## Installation Instructions

1. Remove the inner door plastic panel and padding to prepare for the BDP Install by completing the following steps:

- a. Remove the door panel bolts and pull the plastic panel away careful of the plastic clips.
- b. Remove the interior handle brace.
- c. Remove the interior seal cover.
- d. Disconnect the speaker and door and window motor control panel connectors from the plastic door panel.
- e. Remove the speaker.
- f. Remove the rubber seal from window track.
- g. Remove the interior and exterior window trim.
- h. Disconnect and remove the mirror.
- i. Loosen the two window track clamps and remove the glass while in fully down position.
- j. Remove and discard the foam block by sliding a putty knife along the double sided tape.
- k. Remove the window motor/guide tracks and the window track below the door handle.



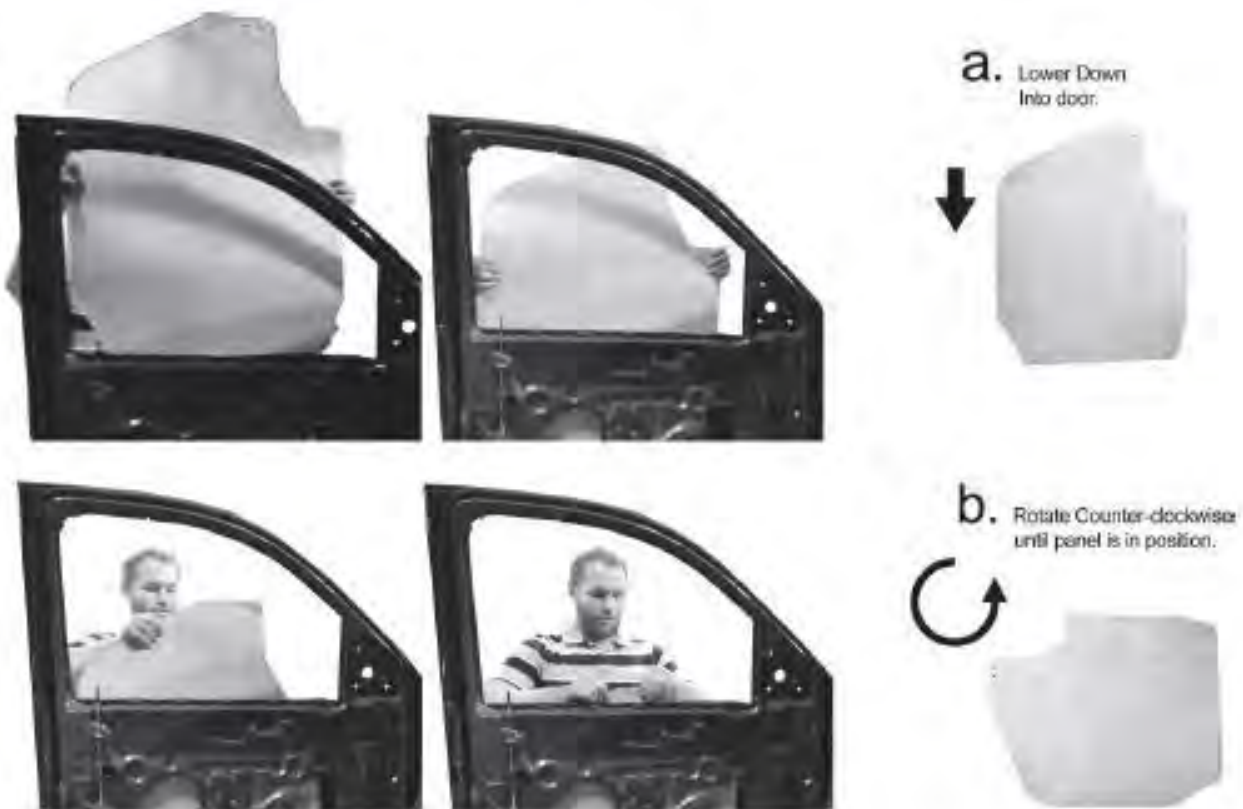
2. Install the 1/4-20 threaded clip nuts to the BDP panel by sliding the panel between the clip in the five holes as marked in the image below to prepare it for door insertion:



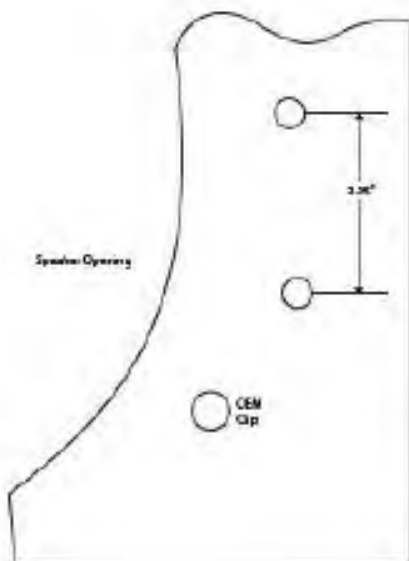
**Quantity 5:**  
Clip Nut 1/4-20 THRD



3. Slide the panel in front first; rotating clockwise, making sure it is behind the front window track:

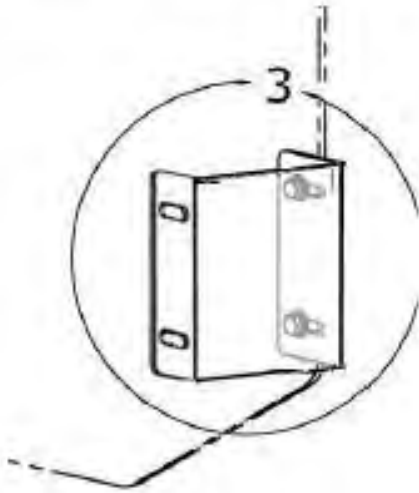


4. Attach the lower hinge bracket to the lower door by loosely installing two ¼-20 x 1 HHCS and ¼ Flange Nuts using the provided Template A



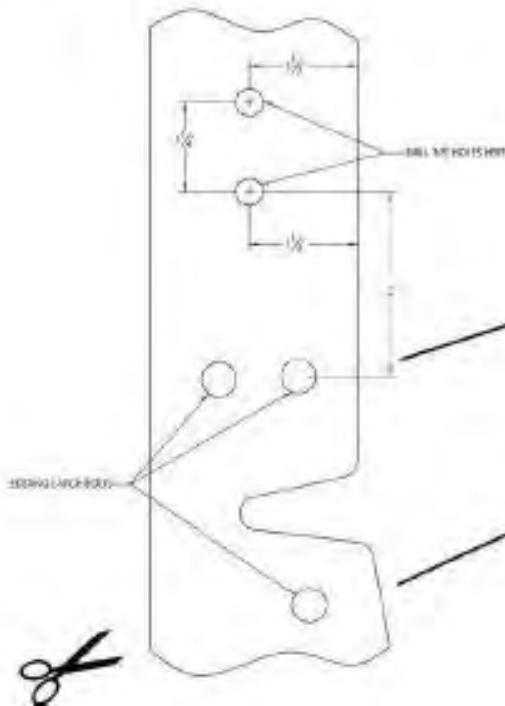
SEE LAST PAGES FOR TEMPLATE

5. Attach the Lower Hinge Bracket to line up with the holes in the installed Clip Nuts by loosely installing two ¼-20 X 1 HHCS, ¼ Lock Washers, and ¼ SAE Flat Washers:



6. Prepare the Upper Rear Bracket install by first drilling the two holes as shown in the attached Door Jam Drilling Template (please see last page of install guide for template):

- a.) Cut out the Door Jam Template.
- b.) Line up the Door Jam Template to the Door Jam.
- c.) Tape the Template to the Door Jam.
- d.) Use a marker to mark the drill holes on the Door Jam.
- e.) Drill out the two 3/8" Upper Rear Bracket install holes.

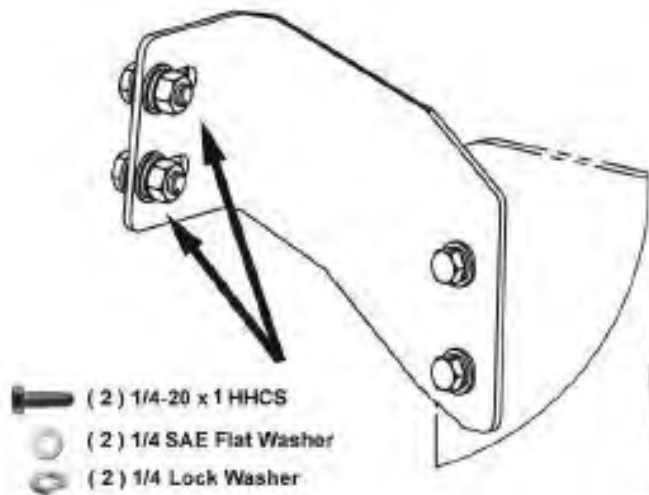


SEE LAST PAGES FOR TEMPLATE

7. Once the holes have been drilled, loosely attach the Upper Rear Bracket to the panel using two 1/4-20 X 1 HHCS, 1/4 Lock Washers, and 1/4 SAE Flat Washers:

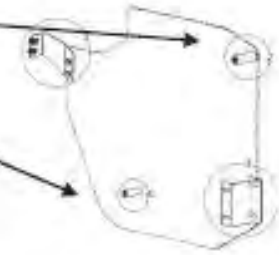


8. Loosely install the upper hinge bracket to the door using 2 each of the 1/4-20 x 1 HHCS Bolts and 1/4 SAE Flat Washers:



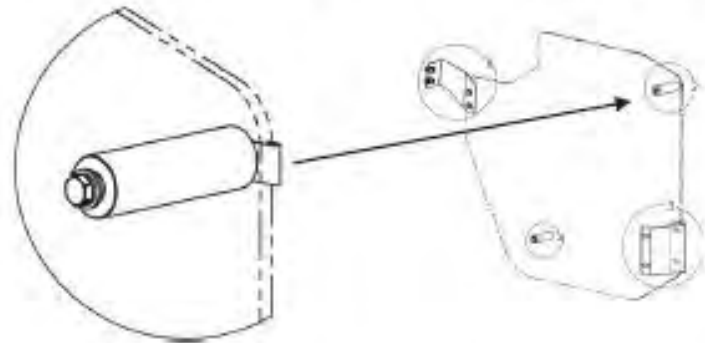
9. Prepare for the install of the Upper and Lower Spacers by marking and then drilling the two Spacer holes by completing the following steps:

- a. Place the Upper Spacer on the Clip Nut.
- b. Place the Lower Threaded Spacer behind the lower door.
- c. Mark the drill holes in the locations shown in the graphic below.
- d. Use a 3/8" drill bit to drill both the Upper and Lower Spacer holes.



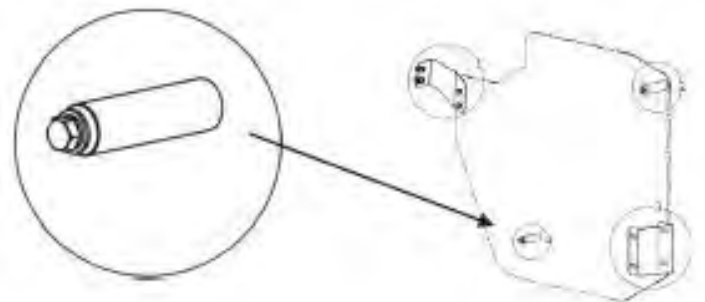
10. Attach the Upper Spacer to the upper Clip Nut and hole drilled in step 9 by loosely installing 1 each of the following hardware:

- 1/4-20 x 5 HHCS
- 1/4 SAE Flat Washer
- 1/4 Lock Washer



11. Attach the Lower Threaded Spacer to the lower hole drilled in step 9 by installing 1 each of the following hardware (Tighten Completely):

- 1/4-20 x 1 HHCS
- 1/4 SAE Flat Washer
- 1/4 Lock Washer

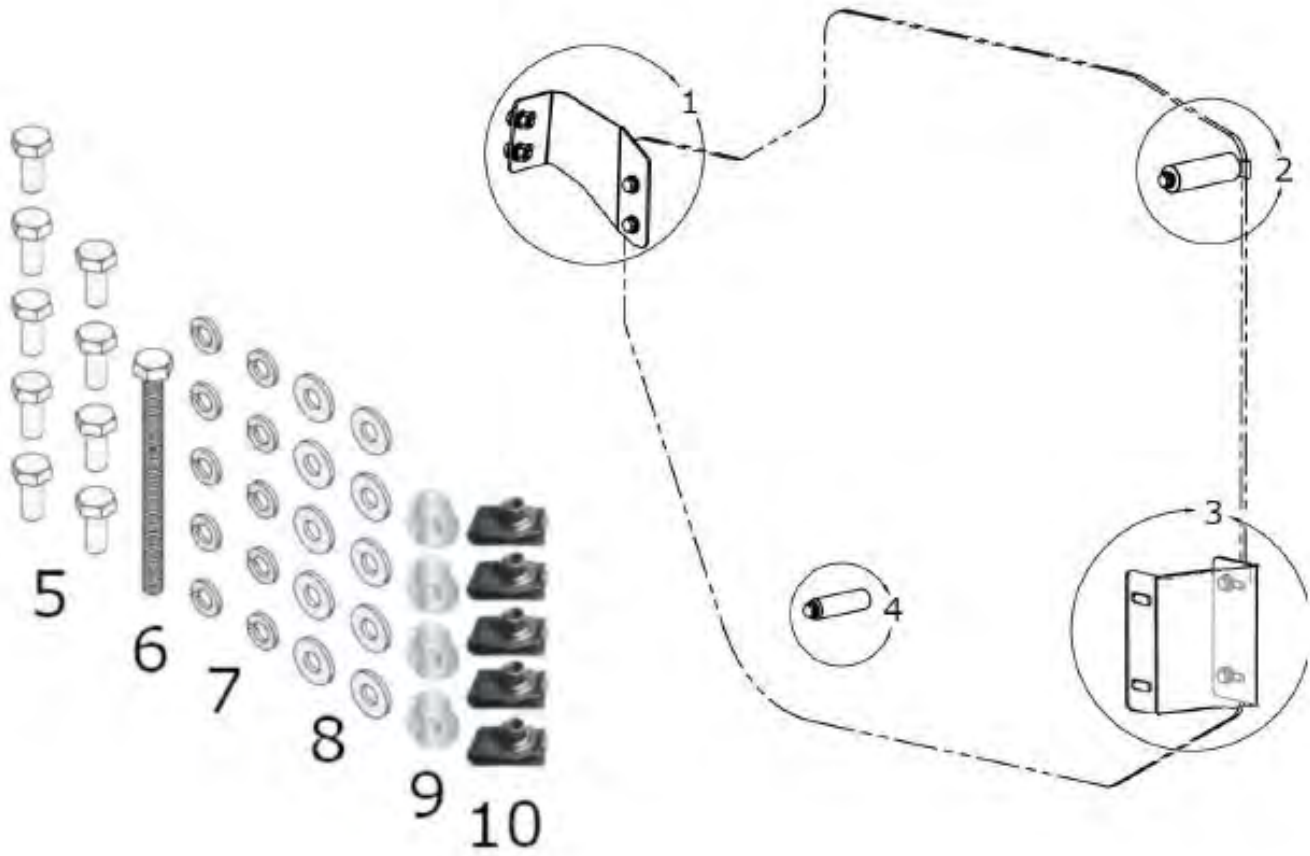


12. Tighten all bolts and adjust panel to make sure nothing is in the way of the window track by ensuring that the panel is pressed tightly against the out facing side of the door.
13. Reassemble the door window track, seals, mirror, speaker, handle brace, and plastic door panel to complete the Tahoe NJ Level IIIa Ballistic Door Panel installation.

## **Installation complete**

If you have any problems with this installation or have any questions please call (800-480-6680) and ask for technical assistance.

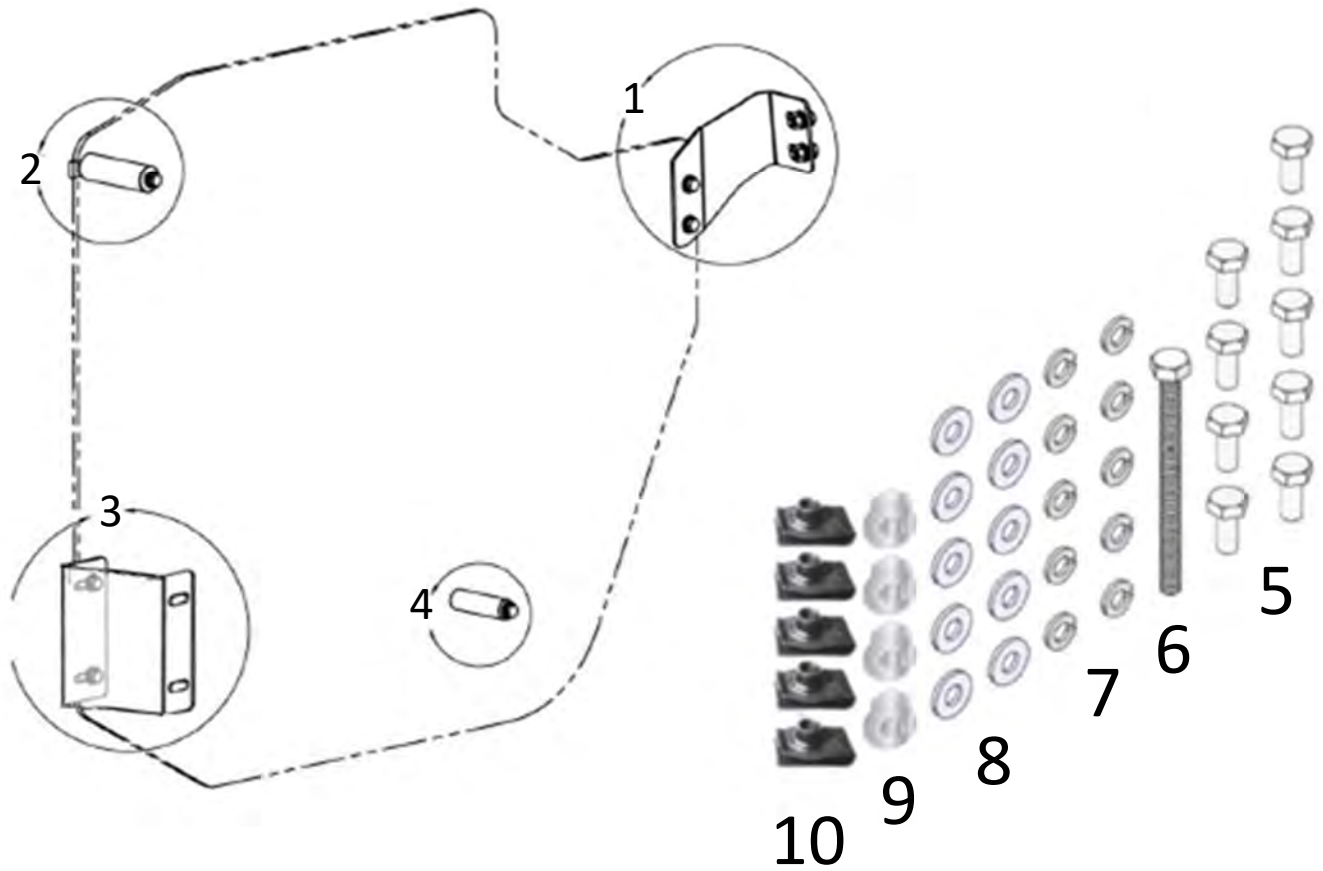
DRIVER SIDE PANEL INSTALL



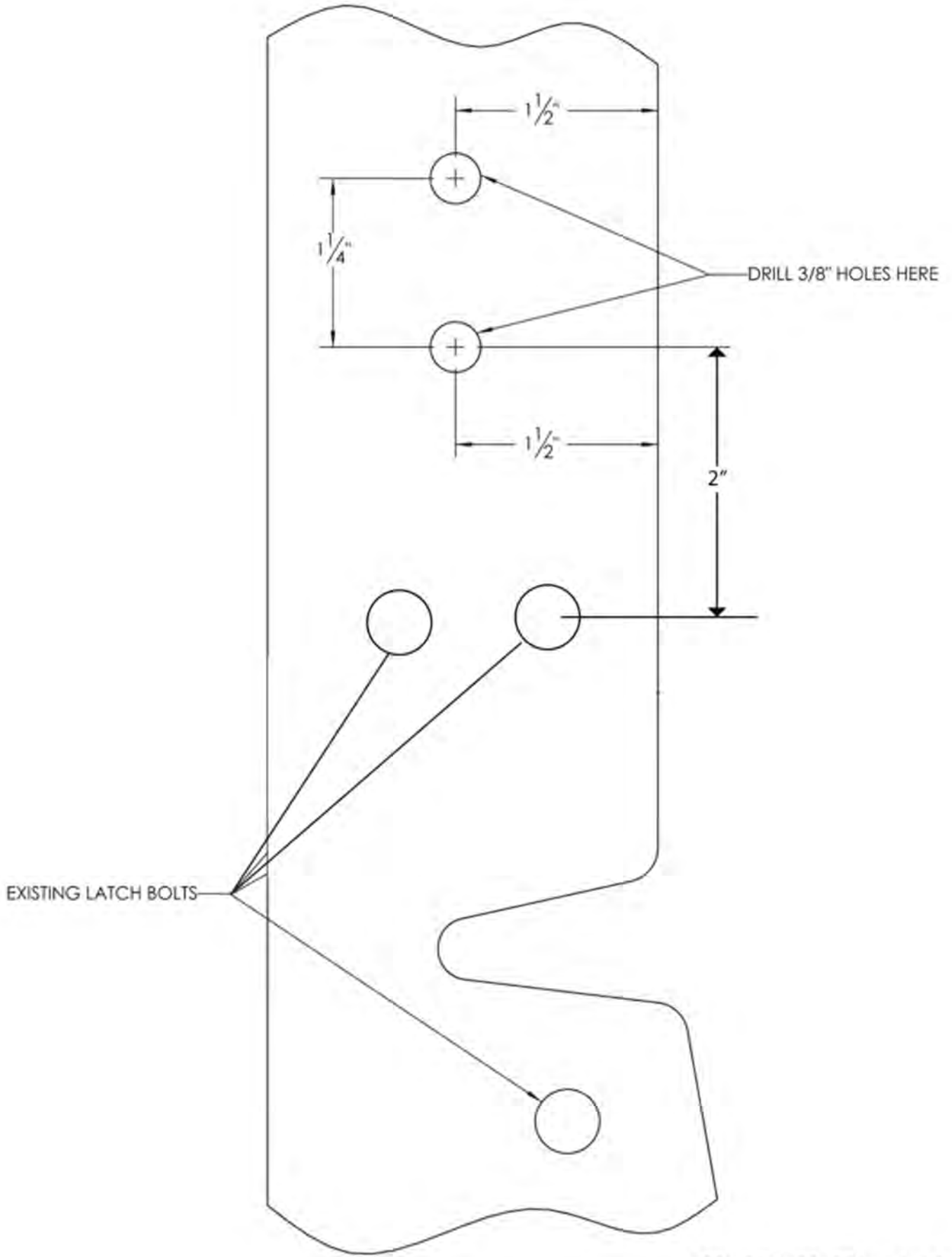
ITEM NO.	DESCRIPTION	QTY.
1	Upper Rear Bracket	1
2	Upper Spacer	1
3	Lower Bracket	1
4	Lower Threaded Spacer	1
5	1/4-20 x 1 HHCS	9
6	1/4-20 x 5 HHCS	1
7	1/4 Lock Washer	10
8	1/4 SAE Flat Washer	10
9	1/4-20 Flange Nut	4
10	Clip Nut 1/4-20 Thread	5



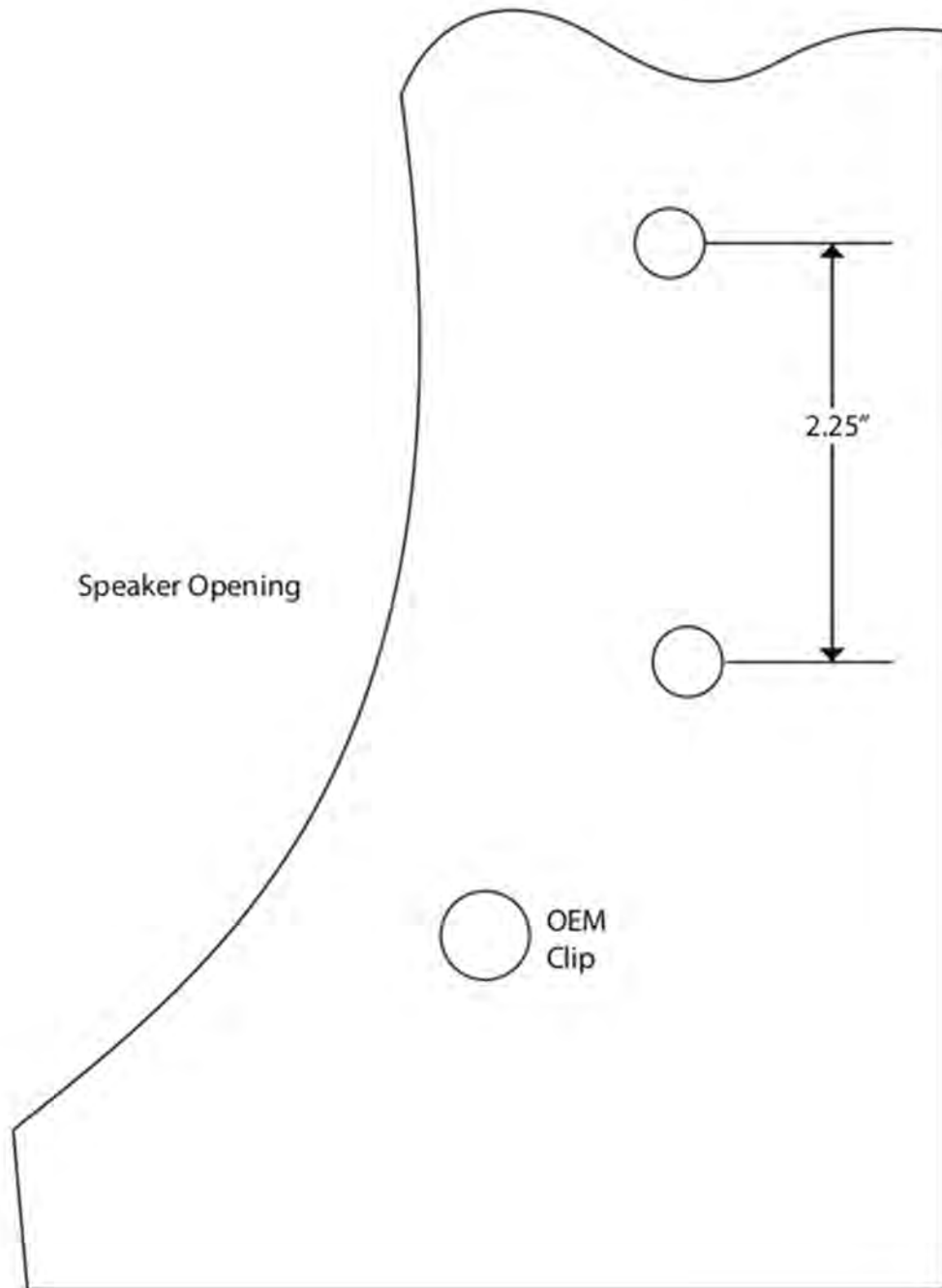
PASSENGER SIDE PANEL INSTALL



ITEM NO.	DESCRIPTION	QTY.
1	Upper Rear Bracket	1
2	Upper Bracket	1
3	Lower Bracket	1
4	Lower Threaded Spacer	1
5	1/4-20 x 1 HHCS	9
6	1/4-20 x 5 HHCS	1
7	1/4 Lock Washer	10
8	1/4 SAE Flat Washer	10
9	1/4-20 Flange Nut	4
10	Clip Nut 1/4-20 Thread	5



**SEE NEXT PAGE FOR  
TEMPLATE 5505-530-  
036587 bracket 2**



5505-530-036587 bracket 2.pdf