

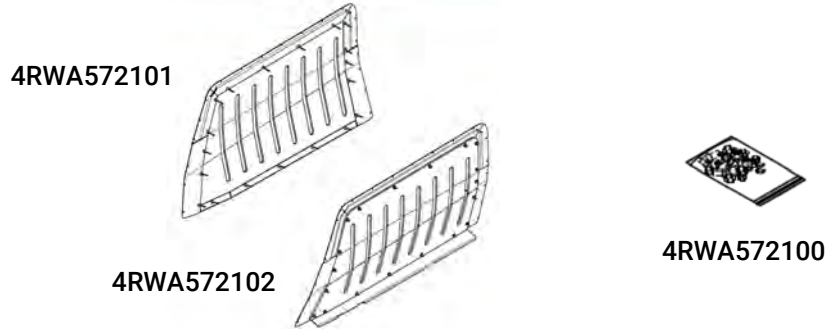
# **INSTALLATION GUIDE**

**2021 - CURRENT  
CHEVROLET TAHOE  
POLY WINDOW ARMOR FOR OEM DOOR PANEL  
WBP57NPT21**

**Pro-gard**<sup>™</sup>  
PRODUCTS LLC.

**STRONG. RELIABLE. SECURE.**

**THESE COMPONENTS ARE REQUIRED  
TO INSTALL THE REAR WINDOW ARMOR**



**I. The following tools will be required to complete the installation**

- A. #2 Phillips driver                      B. 7/64" Drill bit

**II. Read all instructions and refer to the last page to ensure all parts were received**

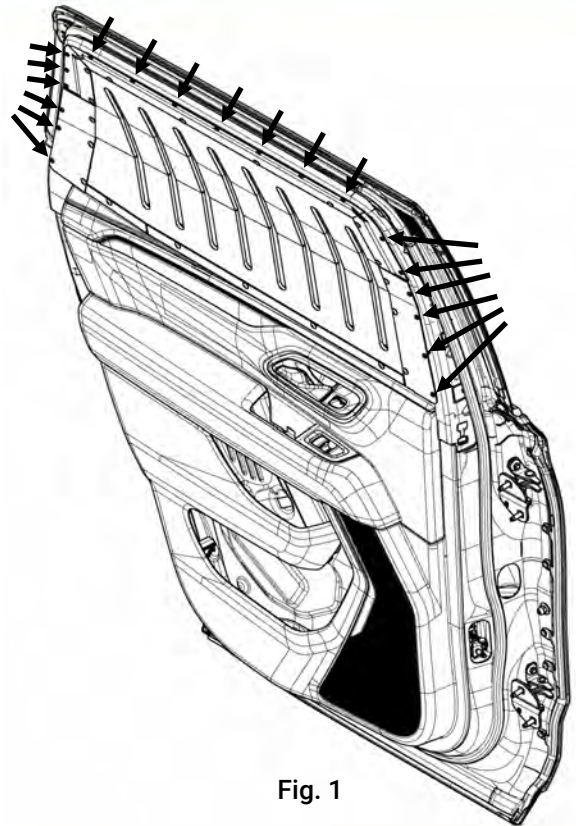
---

**WARNING:**    *Locate all wiring, fuel lines, brake lines, coolant lines, and refrigerant lines before drilling any holes or installing any self-drilling fasteners.*

---

**III. Window Armor Installation**

- A. Raise the window armor assembly above the vehicle door and insert the lower frame flanges into the window track while setting the bottom bracket onto the OEM door panel. It is necessary to push on the front side of the lower window armor bracket in order to flex the window armor into place on the door.
- B. Ensure the armor is properly seated on the door panel.
- C. Align the upper bracket of the window armor to the vehicle window trim.
- D. Ensure the door panel is aligned with the door on all sides.
- E. Once fitted satisfactorily, drive (19) self-drilling screws [3X299] into the upper door (Fig. 1). It may be necessary to use a 7/64" drill bit to pre drill some of the holes.
- F. Repeat for the opposite side.



**Installation complete**

If you have any problems with this installation or have any questions please call (800-480-6680) and ask for technical assistance.

		PARTS LIST	
ITEM	QTY	PART NUMBER	DESCRIPTION
1	1	4RWAS72100	POLY ARMOR HARDWARE KIT
2	1	4RWAS72102	POLY WINDOW ARMOR ASSEMBLY OEM PASSENGER
3	1	4RWAS72101	POLY WINDOW ARMOR ASSEMBLY OEM PANEL DRIVER

