

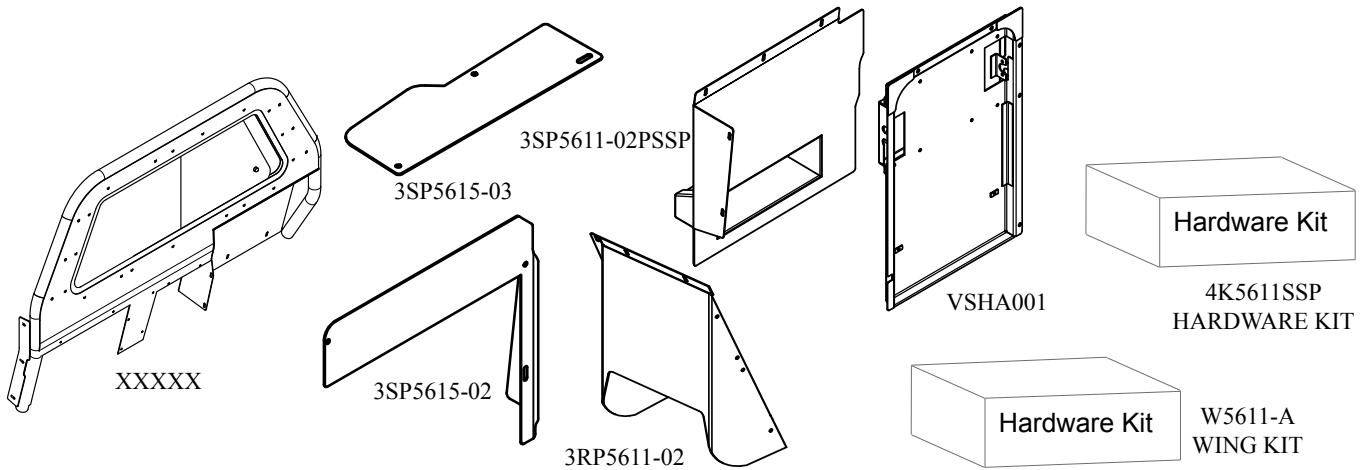
**INSTALLATION GUIDE**  
**SPACE SAVER PLUS VIPER**  
**SHIELD PARTITION**  
**2011 - CURRENT**  
**DODGE CHARGER**

**Pro-gard**<sup>™</sup>  
PRODUCTS LLC.

STRONG | RELIABLE | SECURE

**pro-gard.com**  
**800.480.6680**

THESE COMPONENTS ARE REQUIRED  
TO INSTALL THE PARTITION



**I. The following tools will be required to complete the installation.**

- A. Ratchet and 7/16" socket
- B. 3/16" Allen key & 5/32" Allen key
- C. 1" Hole saw
- D. Drill with 3/8" Socket and 3/8" Drill Bit
- E. T15 Torx Driver

**II. Read all instructions carefully and refer to page 6 to ensure all parts were received.**

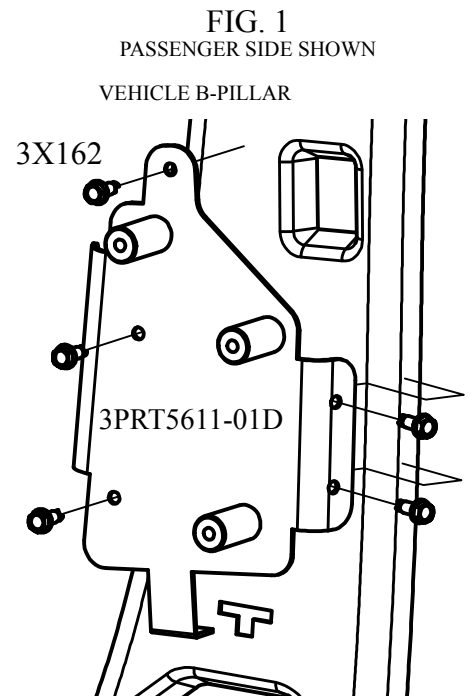
**WARNING:** *Locate All wiring, fuel lines, brake lines, coolant lines, or reffridgerant lines before drilling any holes or installing any self-drilling fasteners.*

**III. B-Pillar Bracket Installation.**

- A. Remove B-pillar trim on the Passenger-side. This will be reinstalled after bracket installation.

**Note:** *From the head liner down the trim is held in place by snap fasteners but the top of the trim panel is held in place with a screw. Pull head liner down and away from the trim panel and use a T15 torx driver to remove the screw.*

- B. Place the Passenger B-pillar bracket (3PRT5611-01P) against the B-pillar face (See Fig. 1).
- C. Orient the B-pillar bracket so the bottom tab fits into the "T" slot on the B-pillar and the formed edges wrap around the B-pillar. Using the supplied Self-Drilling screws (3X162) secure the B-pillar.



D. Using the Driver B-pillar bracket (3PRT5611-02D) repeat process on Driver-side of the vehicle

#### IV. Drilling B-Pillar Trim Panels.

- A. Remove the sound insulation located inside the Driver-side trim panel, carefully align the template per their included instructions. Using a 1" Hole Saw drill the clearance holes as marked on the template. Replacement of sound insulation is optional.
- B. Replace the trim panel, insuring that the standoff's protrude through the panel.
- C. Repeat process on the Passenger-side trim panel.

**NOTE:** Proceed to step IX. to prepare the driver-side mounting plate (3PRT5611-02D) to be installed.

#### V. Installing Partition Mounting Plates.

- A. Attach the Passenger-side Mounting Plate (3PRT5611-04P) using the supplied 5/16-18 x 3/4" Button head screws (3X149) to the standoff's protruding through the B-pillar trim (See Fig. 2). Hand tighten only.
- B. Attach the Driver-side Mounting Plate (3PRT5611-02D) using the supplied 5/16-18 x 3/4" Button head screws (3X149) to the standoff's protruding through the B-pillar trim (See Fig. 2). Hand tighten only.

#### VI. Partition Installation.

- A. Due to the weight and size of the partition, assistance from another party is highly recommended. Insert the partition into the vehicle, lift and position the partition so that it aligns with the Partition Mounting Plates, using the supplied 1/4-20 x 3/4" Carriage Bolts (3X36) and 1/4-20 Whiz nuts (3X16Z) secure the Partition to the Mounting Plates (See Fig. 3). Hand tighten only.

FIG. 2  
DRIVER SIDE SHOWN

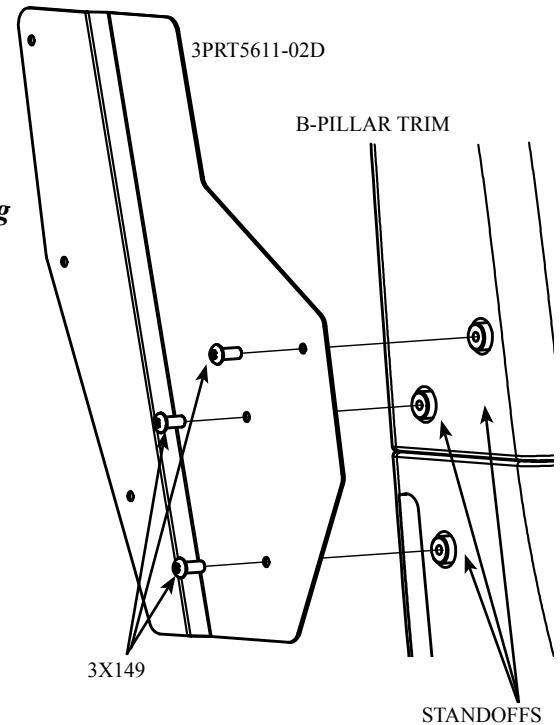
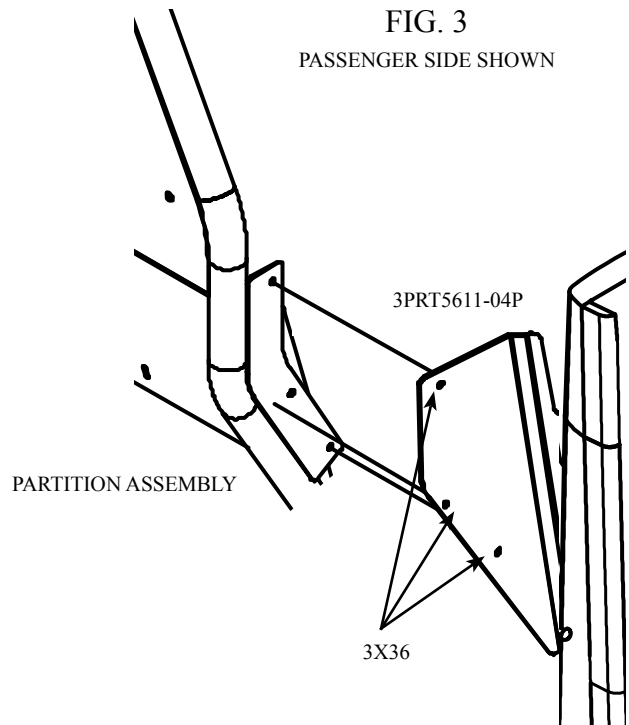


FIG. 3  
PASSENGER SIDE SHOWN



## VII. Viper Shield Panels & Recessed Panel Installation.

A. Place the 3SP5615-03 Panel on the Driver's side, against the Partition. Insure that the panel goes in front of the partition's plate on the Driver's side. Align the holes in the Panel with the Partition and secure using the supplied 1/4-20 x 5/8" (3X36) bolts and whiz nuts (3X16Z). (See Fig. 4)

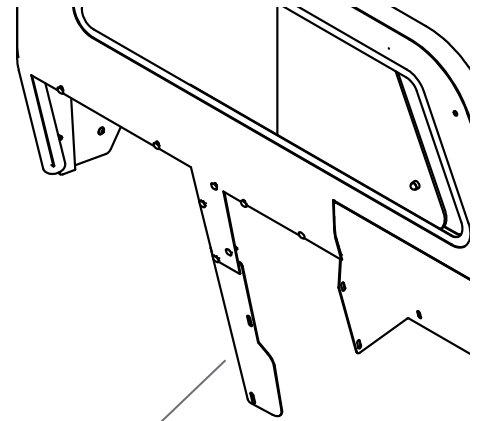
B. Place the 3SP5611-02PSSP Panel against the passengers side of the partition. Align the holes in the panel with the partition, and secure it using the supplied 1/4-20 x 5/8" (3X36) carriage bolts and whiz nuts (3X16Z) on the top three holes. (See Fig. 5)

C. Locate the Recessed Panel (3RP5611-02), align it with the holes in the Partition. Secure using the 1/4-20 x 5/8" (3X36) bolts and whiz nuts (3X16Z) supplied hardware in the kit. The bottom right hole needs a 1/4-20 x 0.75 for the weld nut(3x184) (See Fig. 6)

D. Place the Viper Shield Housing against the Partition. Align the holes in the panel with the Partition and 3SP5615-03 Panel. First install the top bolt on the left edge of the panel through the partition and secure with the supplied 1/4-20 x 5/8" (3X36) carriage bolt and whiz nut (3X16Z). Next install three bolts securing the panel to the partition and the 3SP5615-01 Panel using whiz nuts to secure the bolts. (See Fig. 7 Located On The Next Page)

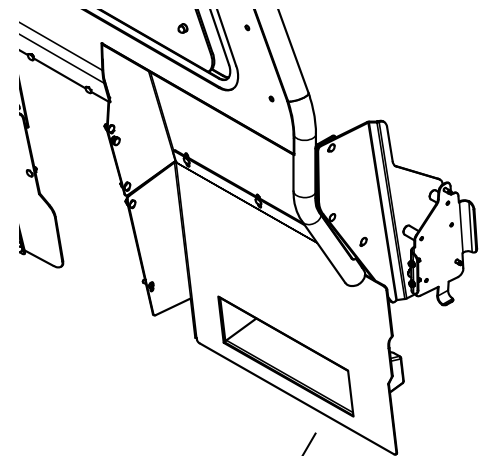
E. Place the 3SP5615-02 Panel against the Viper Shield Housing and Partition. Align the holes in the panel with the Partition and VSHA001 Housing. First install the bottom bolt on the right side of the panel through the partition and the housing, securing it with the supplied 1/4-20 x 5/8" (3X36) carriage bolt and whiz nut (3X16Z). Next install the remaining bolts securing the panel to the VSHA001 Housing using whiz nuts to secure the bolts. (See Fig. 8 Located On The Next Page)

FIG. 4  
DRIVER SIDE SHOWN



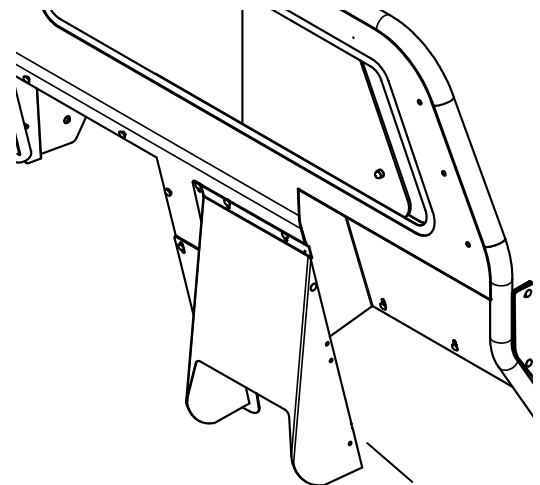
3SP5615-03 PLACED BEHIND  
THE PARTITION

FIG. 5  
PASSENGER SIDE SHOWN



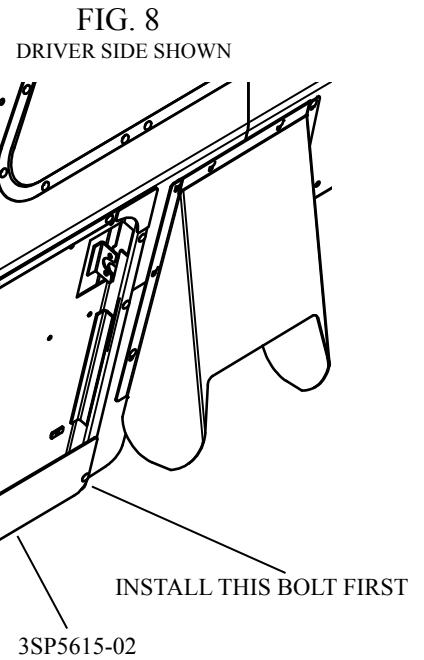
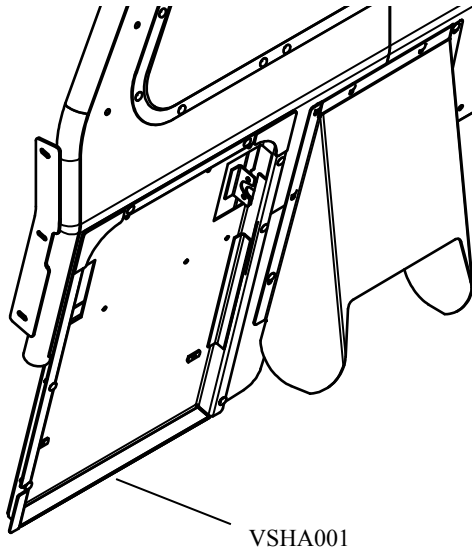
3SP5611-02PSSP

FIG. 6  
DRIVER SIDE SHOWN



3RP5611-02

FIG. 7  
DRIVER SIDE SHOWN



### VIII. Air Bag Wing Installation.

- A. The filler wings and their mounting hardware are packed in a separate box marked Wing Kit. Install the filler wings according to their included install instructions.

### IX. Pull Handle Installation.

- A. Find a easy and quick mounting location for the pull handle that ensures a minimum bend radius of 2.5" when routing the cable. The pull handle will release the viper shield latch when needed. We recommend mounting to the Driver-side Mounting Plate (3PRT5611-02D) as shown in Fig. 10 using our provided template on page 10.

- B. Mark and drill hole in the Driver-side Mounting Plate (3PRT5611-02D) for mounting, and attach with the supplied hardware.

### X. Releasing Operation

- A. Test and ensure the pull mechanism releases properly. To place the shield back in place firmly push it back in the housing until you hear the latch lock.

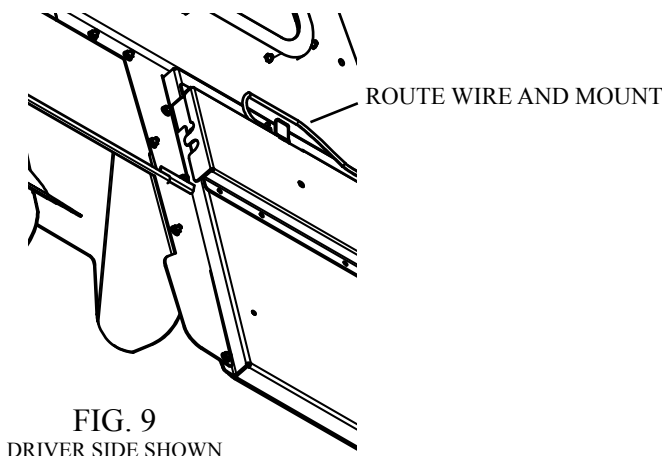


FIG. 9  
DRIVER SIDE SHOWN

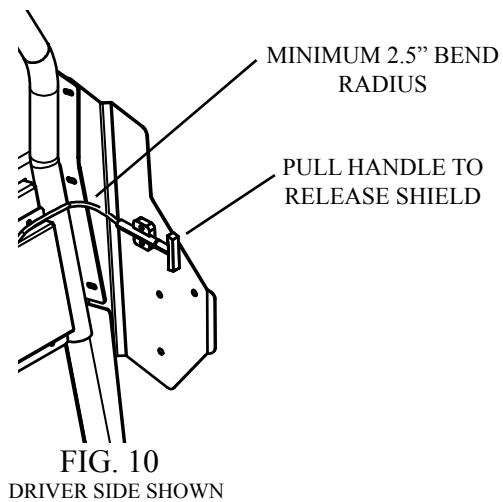


FIG. 10  
DRIVER SIDE SHOWN

## **XI. Finishing The Installation.**

- A. Adjust the overall installation for fit and function of all components. Once satisfied, insure all fasteners are tight.

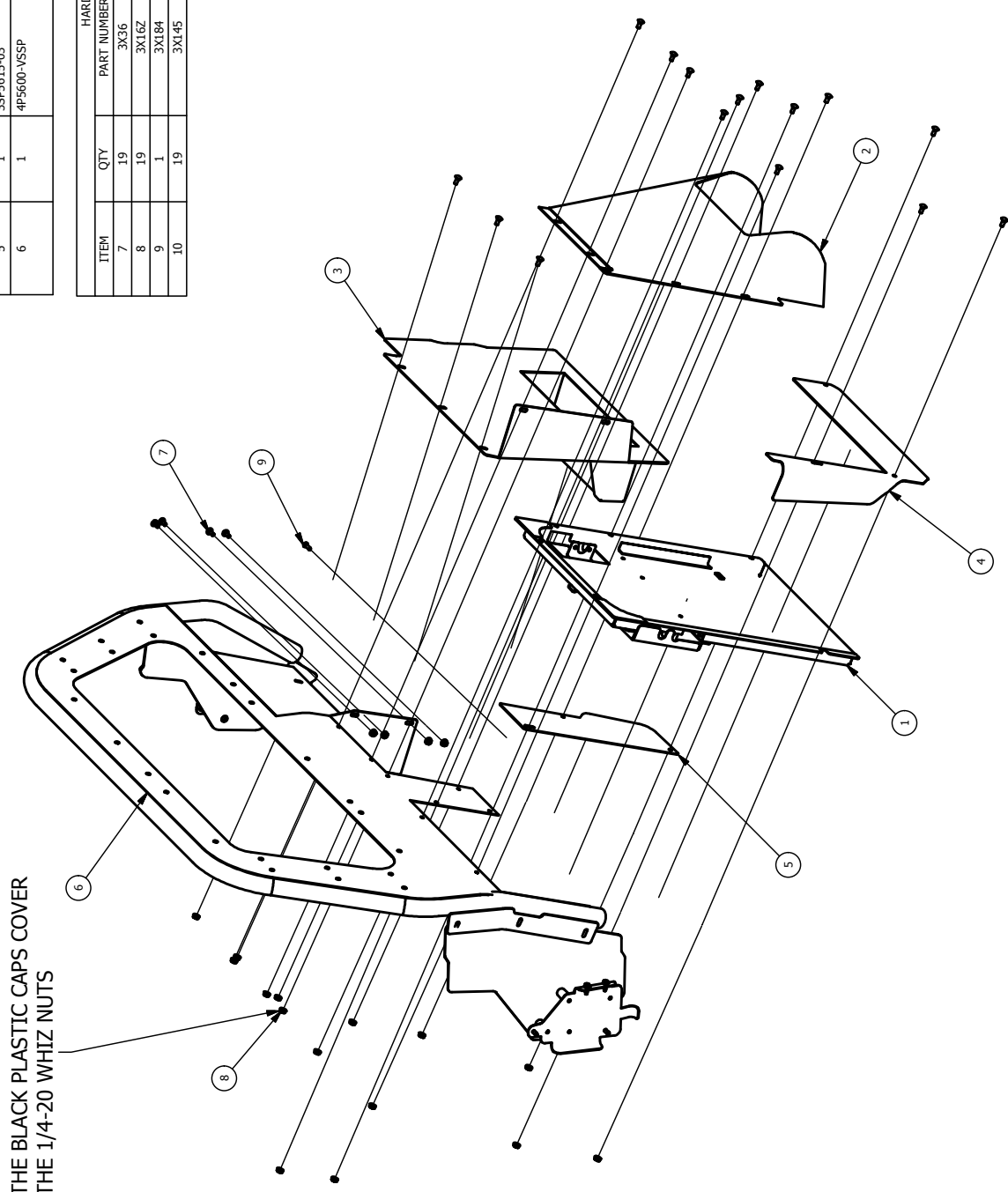
### **Installation complete!**

If you have any problems with this installation then call the toll free number (800-480-6680)

and ask for technical assistance.

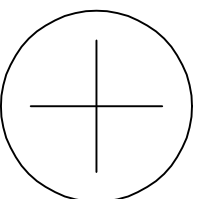
PARTS LIST			
ITEM	QTY	PART NUMBER	DESCRIPTION
1	1	3PV5H15	UNIVERSAL VIPER SHIELD HOUSING
2	1	3RP5611-02	RECESS PANEL SPACE SAVER PLUS
3	1	3SP5611-02PSSP	SEAT PROTECTOR WITH TOE INSERT
4	1	3SP5615-02	VIPER SEAT PROTECTOR PART 2
5	1	3SP5615-03	VIPER SEAT PROTECTOR PART 1
6	1	4P5600-VSSP	DODGE CHARGER SPACE SAVER PLUS VIPER PARTITION, WINDOW MAY VARY

HARDWARE LIST		
ITEM	QTY	DESCRIPTION
7	19	1/4-20 X 5/8 CARRIAGE BOLT
8	19	1/4-20 WHIZ NUT
9	1	1/4-20 X 0.75; SBHCS; BLACK OXIDE
10	19	BLACK PLASTIC CAPS (NOTED)

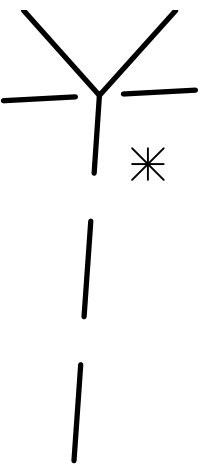


THE BLACK PLASTIC CAPS COVER  
THE 1/4-20 WHIZ NUTS

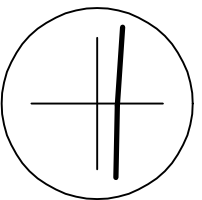
TRIM PANEL TEMPLATE FOR  
 PARTITION INSTALL ON  
 2011 DODGE CHARGER  
 DRIVER SIDE



CENTER PUNCH 3 HOLE LOCATIONS  
 THRU TEMPLATE & DRILL/CUT 1"  
 DIA. HOLE

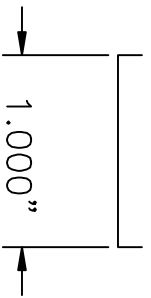


CUT OUT  
 NOTCH TO  
 HELP ALIGN



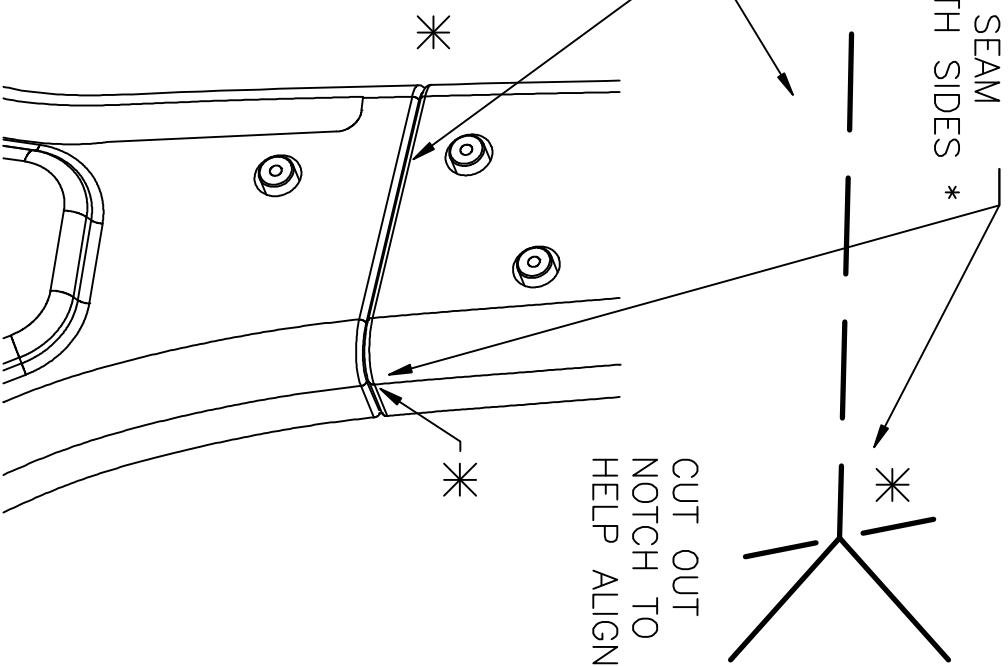
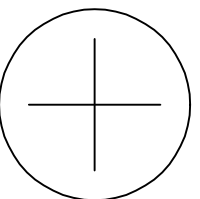
ALIGN DASHED LINE WITH  
 SEAM ON TRIM PANEL

ALIGN INTERSECTION WITH  
 CORNER OF TRIM & SEAM  
 ON TRIM PANEL, BOTH SIDES \*



CHECK SCALE

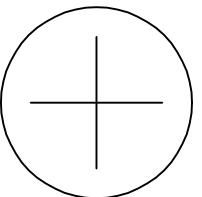
SELECT "NONE" FOR PAGE  
 SCALING WHEN PRINTING  
 FROM .pdf FILE



CUT OUT  
 NOTCH TO  
 HELP ALIGN



TRIM PANEL TEMPLATE FOR  
PARTITION INSTALL ON  
2011 DODGE CHARGER  
PASSENGER SIDE

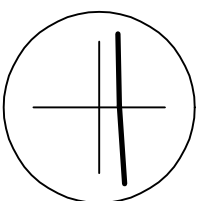
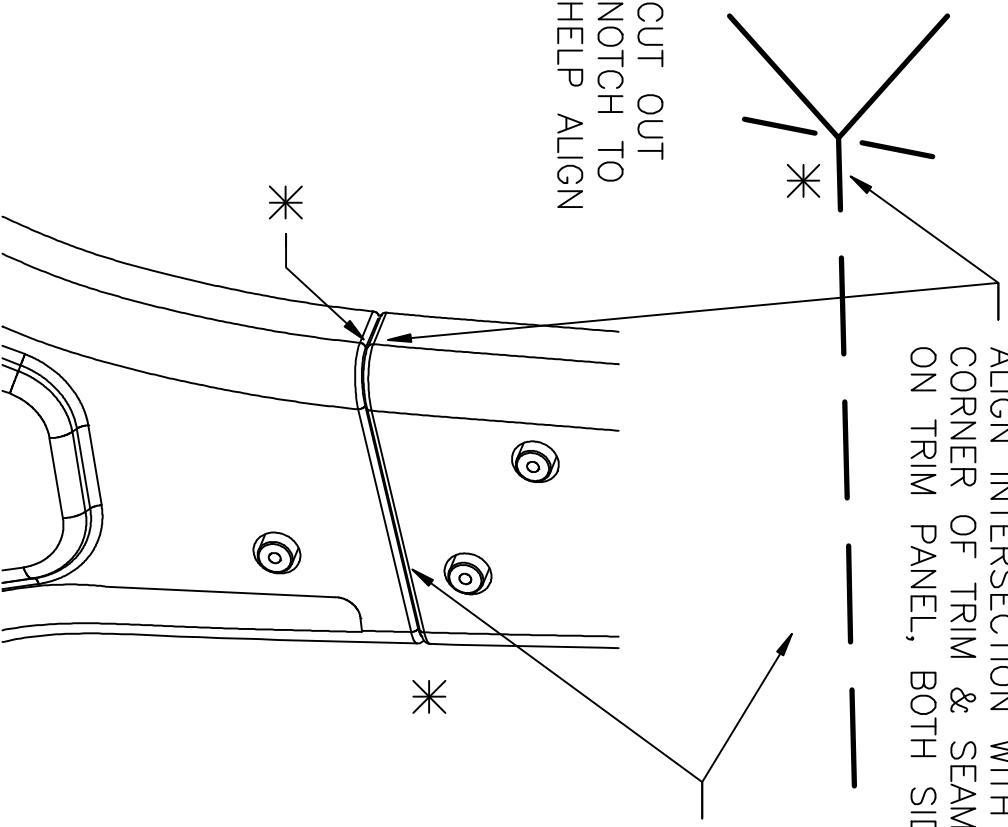


CENTER PUNCH 3 HOLE LOCATIONS  
THRU TEMPLATE & DRILL/CUT 1"  
DIA. HOLE

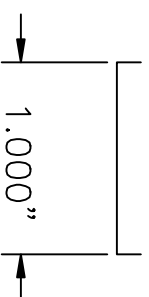
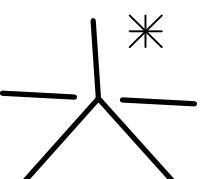
ALIGN INTERSECTION WITH  
CORNER OF TRIM & SEAM  
ON TRIM PANEL, BOTH SIDES \*

ALIGN DASHED LINE WITH  
SEAM ON TRIM PANEL

CUT OUT  
NOTCH TO  
HELP ALIGN

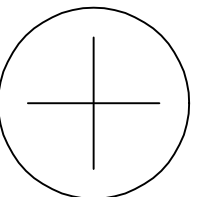


CUT OUT  
NOTCH TO  
HELP ALIGN



CHECK SCALE

SELECT "NONE" FOR PAGE  
SCALING WHEN PRINTING  
FROM .pdf FILE



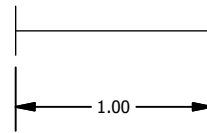
# RELEASE HANDLE TEMPLATE FOR VIPER SHIELD INSTALL ON 2011 TO CURRENT DODGE CHARGER



CENTER PUNCH 2 HOLE LOCATIONS THRU TEMPLATE  
AND DRILL 5/16" DIA. HOLES

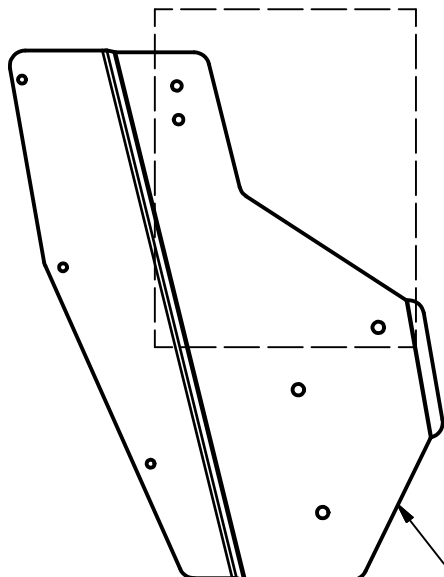
## DIRECTIONS

1. CUT ALONG THE OUTER  
EDGE
2. LINE THE CUT OUT AREAS  
WITH THEIR CORRESPONDING  
FEATURES ON THE MOUNTING  
PLATE
3. CENTER PUNCH 2 HOLE LOCATIONS  
THRU THE TEMPLATE & DRILL 5/16"  
DIA. HOLES
4. CAREFULLY REMOVE ANY BURRS



CHECK SCALE

SELECT "NONE" FOR PAGE  
SCALING WHEN PRINTING  
FROM .pdf FILE



PARTITION MOUNTING PLATE 5611-02-D

ALIGN DASHED LINE AND  
REFERENCE HOLE WITH PART

