

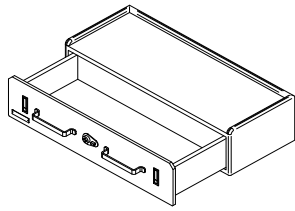
INSTALLATION GUIDE
WSD47UINT13 WEAPON
STORAGE DRAWER &
ASBD47UINT13 ALUMINUM
STORAGE DRAWER
'2013 - CURRENT
FORD UTILITY INTERCEPTOR

Pro-gard[™]
PRODUCTS LLC.

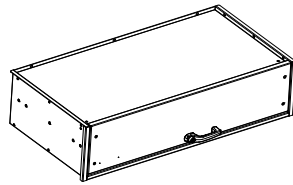
STRONG | RELIABLE | SECURE

pro-gard.com
800.480.6680

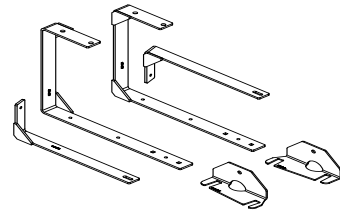
THESE COMPONENTS ARE REQUIRED
TO INSTALL THE PRO-GARD CARGO WEAPON AND ALUMINUM STORAGE DRAWER



WSD47UINT13



3ASBD47UINT13



4WSD47UINT13 HARDWARE KIT

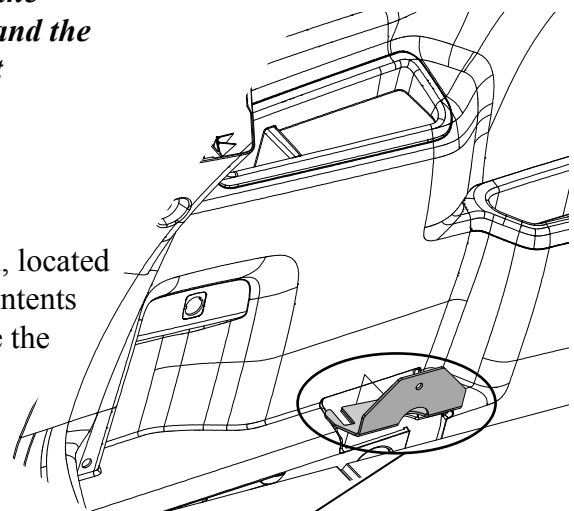
- I. Refer to the diagram on the last page of these instructions to verify all parts were received.
- II. The following tools will be required to complete the installation.
 - A. 3/8" drive ratchet with 13mm socket
 - B. 7/16" wrench or 3/8" drive ratchet with 7/16" socket
 - C. 3/8" drive ratchet with 15mm (deep) socket
- III. Read all instructions carefully before starting the assembly process.

FIG 1.
DRIVER'S SIDE SHOWN

A. ***If a Barrier system is being installed along with the weapons drawer be sure to install Barrier first. A few of the mounting points are the same between the two and the Barrier needs to be in place first. If you are not installing a Barrier just follow the instructions.***

IV. Rear Mounting Bracket Installation

- A. Remove the Driver OEM Rear Pocket Trim Panel, located on the Rear Quarter Trim, just below the Upper Contents Tray. Loosen the two 15mm bolt heads that secure the Cross Member Bracket. (See FIG. 1)
- B. Place the Driver's Rear Mounting Bracket (3B4713-02D) under the two bolts and slide the rear mounting bracket in as far as it will go.



3B4713-02D

C. Repeat for Passenger Side using Passenger's Rear Mounting Bracket (3B4713-02P)

V. Support Brackets Installation

- A. Locate the two bolts that secure the load floor to the vehicle. Remove the OEM Bolt and leave the OEM Spacer in the Load Floor. Install the supplied Black Spacer (5/8") that is supplied in the hardware kit. Place the Drawer Main Support Bracket (3CC471305) on top of the drivers side Load Floor using the supplied bolt (3X155), flat washer (3X12) and split

lock washer (3X194). Snug the bolt down. See FIG. 2.

Note: There are two different mounting locations found on the Drawer Main Support Bracket (3CC471305). The hole in the back is used when the Weapons Drawer is installed with a Barrier system. The outer hole is for a stand alone Weapons Drawer. The Drawer Main Support Bracket will also mount on top of the Barrier bracket (3B4713-01D).

B. Repeat for Passenger's side

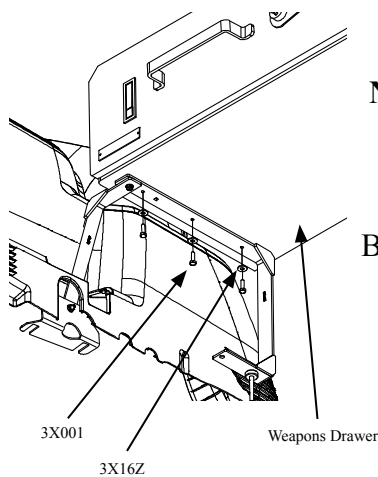
C. Install the Drawer Rear Support Bracket (3CC471307). (See FIG. 3) The Front Bracket will tie into the Driver's Rear Mounting Bracket (3B4713-02D) and the Main Support Bracket (3CC471305). The bottom of the Drawer Rear Support Bracket is slotted so the Drawer can be leveled.

D. Repeat for Passenger's side.

Note: Make sure to go back through and tighten all bolts.

VI. Installing Storage Drawer

FIG. 4
DRIVER'S SIDE SHOWN



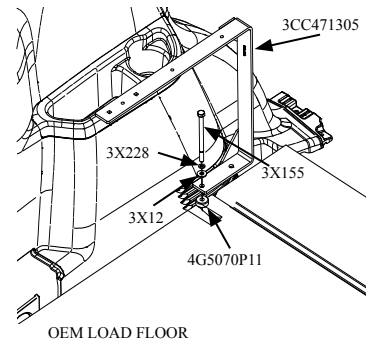
A. Set the Storage Drawer on top of the Main Support Bracket (3CC471305&06). Adjust the Storage Drawer to the position that works best and still rests properly on the Main Support Bracket.

Note: If installing Storage Drawer with Cargo Barrier the back of the Storage Drawer will butt up against the Cargo Barrier.

B. Before securing the Storage Drawer down make sure the Storage Drawer is level. If it isn't level the Storage Drawer Rear Support Brackets (3CC471307&08) is slotted for adjustment.

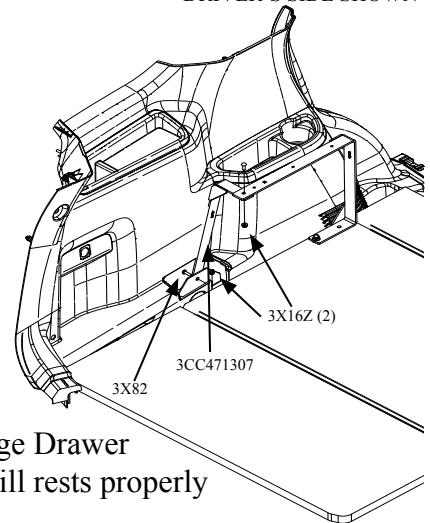
C. Separate the drawer from the cabinet by using the release tabs on the drawer slides.

FIG. 2
DRIVER'S SIDE SHOWN



Shown as a stand alone Weapons Drawer.

FIG. 3
DRIVER'S SIDE SHOWN



D. Use the six supplied screws (3X001) and the six supplied (3X16Z) whiz nuts to properly secure the Storage Drawer to the Main Support Bracket by inserting them from inside the cabinet. (FIG. 4)

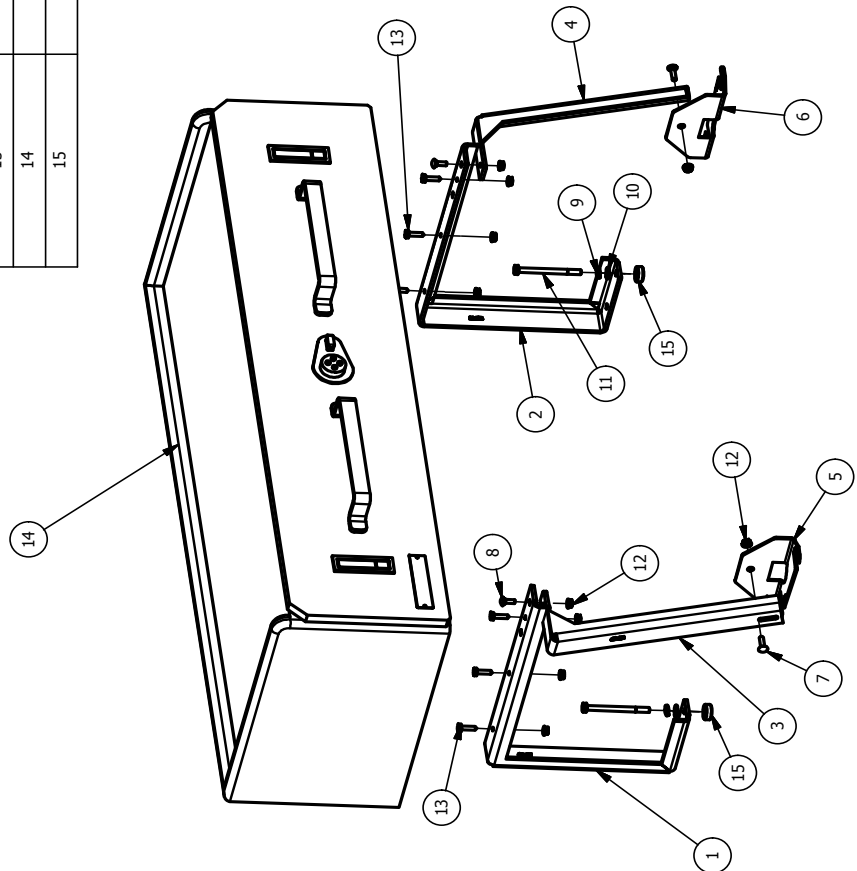
E. Replace the drawer. Install is now complete.

Installation complete!

If you have any problems with this installation then call the toll free number (800-480-6680) and ask for technical assistance.

WEAPON STORAGE DRAWER

PARTS LIST			
ITEM	QTY	PART NUMBER	DESCRIPTION
1	1	3CC471305	Main Support Bracket, Driver Side
2	1	3CC471306	Main Support Bracket, Pass. Side
3	1	3CC471307	Rear Support Bracket, Driver Side
4	1	3CC471308	Rear Support Bracket, Pass. Side
5	1	3B4713-02P	Rear Mounting Bracket, Driver Side
6	1	3B4713-02D	Rear Mounting Bracket, Pass. Side
7	2	3X82	1/4-20 X 1 CARRIAGE BOLT
8	2	3X61	1/4-20 X 3/4 CARRIAGE BOLT
9	2	3X228	3/8 WSHR Split Lock, BIK Zn/C
10	2	3X12	1/4 FLAT WASHER, BLACK
11	2	3X155	M8-1.25x100, HEX HD CAP SCREW 8.8, BLK
12	16	3X16Z	1/4-20 WHIZ NUT
13	6	3X001	1/4-20 X 1.75 Carriage Bolt
14	1	WSD47UINT13	Weapon Storage Drawer
15	2	4G5070P11	5/8" Black Plastic Spacer



ALUMINUM STORAGE DRAWER

PARTS LIST			
ITEM	QTY	PART NUMBER	DESCRIPTION
1	1	3CC471306	Main Support Bracket, Pass. Side
2	1	3CC471305	Main Support Bracket, Driver Side
3	1	3CC471307	Rear Support Bracket, Driver Side
4	1	3CC471308	Rear Support Bracket, Pass. Side
5	1	3B4713-02D	Rear Mounting Bracket, Driver Side
6	1	3B4713-02P	Rear Mounting Bracket, Pass. Side
7	2	3X82	1/4-20 X 1 CARRIAGE BOLT
8	2	3X61	1/4-20 X 3/4 CARRIAGE BOLT
9	2	3X228	3/8 WSHR Split Lock, Zn/C
10	2	3X12	1/4 FLAT WASHER, BLACK
11	2	3X155	M8-1.25X100, HEX HD CAP SCREW 8.8, BLACK
12	16	3X16Z	1/4-20 WHIZ NUT
13	6	3X001	1/4" x 1.75" Carriage Bolt
14	2	4G5070P11	5/8" Black Plastic Spacer
15	1	3ASBD47UINT13	ALUMINUM STORAGE DRAWER ASSEMBLY

